

MECHANICAL SYMBOLS LEGEND

ABBREVIATIONS:	EQUIPMENT:	GENERAL REFERENCES/NOTATIONS:
AFF ABOVE FINISHED FLOOR	ROOF MOUNTED EXHAUST FAN	DUCT ELBOW WITH FIXED TURNING VANES
BOD BOTTOM OF DUCT	CEILING MOUNTED EXHAUST FAN	DUCT BRANCH TAKE-OFF
BTU BRITISH THERMAL UNIT	ROOFTOP UNIT	ROUND SPIN-IN WITH DAMPER
CFM CUBIC FEET PER MINUTE	MAKE-UP AIR UNIT	SQUARE TO ROUND TAP WITH DAMPER
DB DRY BULB	TEMPERATURE SENSOR - ELECTRIC	FLEXIBLE DUCT CONNECTION
EAT ENTERING AIR TEMPERATURE	THERMOSTAT	VOLUME DAMPER
ESP EXTERNAL STATIC PRESSURE	CARBON DIOXIDE SENSOR	BACKDRAFT DAMPER
FOB FLAT ON BOTTOM	DUCT SMOKE DETECTOR	FLEXIBLE DUCTWORK
HZ FREQUENCY	AUDIO/VISUAL REMOTE SMOKE DETECTOR ANNUNCIATOR	
NC NOISE CRITERIA		
PSI POUNDS PER SQUARE INCH		
RTU ROOFTOP UNIT		
TYP TYPICAL		
WC WATER COLUMN		
WB WET BULB		
GRILLES/DIFFUSERS:	DOUBLE LINE DUCT SYMBOLS:	SYMBOLS LEGEND NOTES:
SUPPLY DIFFUSER	NEW SHEET METAL DUCTWORK	CONNECT TO EXISTING
SUPPLY DIFFUSER WITH 3-WAY THROW	SUPPLY OR OUTSIDE AIR DUCT	# NOTE DESIGNATION
SUPPLY DIFFUSER WITH 2-WAY THROW	RETURN AIR DUCT	REVISION DESIGNATION
SIDEWALL MOUNTED SUPPLY REGISTER	EXHAUST AIR DUCT	MECHANICAL EQUIPMENT DESIGNATION
RETURN GRILLE	DUCTWORK TRANSITION	TAG # DIFFUSER DESIGNATION AND CFM
EXHAUST GRILLE	DUCTWORK TRANSITION - RECTANGULAR TO ROUND	
ROUND DIFFUSER	SUPPLY DUCT ELBOW UP OR DOWN	
	RETURN DUCT ELBOW UP OR DOWN	
	EXHAUST DUCT ELBOW UP OR DOWN	

SEQUENCE OF OPERATION

- A. PROVIDE STAND ALONE OR APPLICATION SPECIFIC CONTROLLERS AS REQUIRED TO PERFORM THE FOLLOWING SEQUENCES OF OPERATIONS.
- B. PACKAGED ROOFTOP UNITS
 1. UNIT SHALL CONSIST OF SUPPLY AIR FAN, FILTERS, DX COOLING COIL, GAS-FIRED HEAT SECTION, AND A 7-DAY PROGRAMMABLE THERMOSTAT.
 2. PROVIDE AN OVERRIDE SWITCH TO OPERATE THE UNIT DURING UNOCCUPIED HOURS. THIS SWITCH SHALL BE PART OF THE PROGRAMMABLE THERMOSTAT. OVERRIDE SWITCH ALLOWS THE UNIT TO OPERATE FOR TWO HOURS (ADJUSTABLE).
 3. OCCUPIED MODE: BASED ON THE ROOFTOP UNITS HOURS OF OCCUPANCY, START THE UNIT AT THE BEGINNING OF OCCUPANCY AND SHUT DOWN THE UNIT AT THE END OF OCCUPANCY (NOTE: OUTSIDE AIR DAMPER WITHIN THE RTU SHALL OPEN AND THEN THE RTU SHALL START). THE UNIT SHALL START EARLIER AS DETERMINED BY THE PROGRAM FOR EARLY WARM-UP OR COOL DOWN. ON A SYSTEM STARTUP, THE RTU FAN SHALL START AND RUN CONTINUOUSLY AND THE INTERNAL FACTORY CONTROLS SHALL BE ENABLED. BASED ON THE SPACE TEMPERATURE SENSOR, THE UNIT SHALL CYCLE THE HEATING ASSOCIATED TO MAINTAIN THE SPACE TEMPERATURE SETPOINT (COOLING 75 DEGREE F, HEATING 70 DEGREE F).
 - 3.1 ECONOMIZER MODE: WHEN ENTHALPY OF OA IS BELOW 28 BTU/LB, ECONOMIZER MODE SHALL BE ENABLED. ECONOMIZER MODE SHALL LINEARLY MODULATE OUTDOOR AIR CFM FROM MINIMUM OA CFM TO 100% BASED ON ENTHALPY READINGS.
 - 3.2 HUMIDITY CONTROL (WHEN NEEDED BASED ON CLIMATE): UPON DETECTION OF RELATIVE HUMIDITY ABOVE 55%, THE UNIT SHALL CYCLE INTO DEHUMIDIFICATION MODE IF NOT ALREADY IN COOLING.
 4. UNOCCUPIED MODE: THE RTU INTERNAL OA DAMPERS SHALL REMAINED CLOSED WHEN THE BUILDING IS NOT OCCUPIED. THE RTU SHALL STOP HEATING/COOLING AND THE FAN SHALL STOP. IF THE SPACE TEMPERATURE FALLS BELOW 56 DEGREE F (ADJUSTABLE), THE UNIT SHALL START AND HEAT UNTIL THE SPACE TEMPERATURE IS 80 DEGREE F (ADJUSTABLE) AND THEN SHUTDOWN. IF THE SPACE TEMPERATURE RISES ABOVE 85 DEGREE F (ADJUSTABLE), THE UNIT SHALL START AND COOL UNTIL THE SPACE TEMPERATURE IS 80 DEGREE F (ADJUSTABLE) AND THEN SHUTDOWN.
 5. UPON DETECTION OF SMOKE BY UNIT SMOKE DETECTOR BOTH RTUS SHALL SHUT DOWN AND AN ALARM SHALL BE SENT TO THE FIRE ALARM CONTROL PANEL (WHERE APPLICABLE). LOCAL REMOTE ANNUNCIATORS SHALL ALSO BE ACTIVATED.
- C. KITCHEN HOOD EXHAUST FAN (KF-1)
 1. THE KITCHEN HOOD EXHAUST FAN SHALL BE ENABLED WHEN ANY COOKING APPLIANCE LOCATED UNDER ITS RESPECTIVE HOOD, IS IN USE.
- D. MAKE UP AIR UNIT
 1. THE MAKE UP AIR UNIT SHALL BE ENABLED WHEN THE KITCHEN HOOD EXHAUST FAN (KF-1) IS ENERGIZED. THE INTERNAL MOTORIZED DAMPER WITHIN WITH MAU-1 SHALL OPEN AND THE FAN SHALL RUN. IF OA IS LESS THAN 65" (ADJ.), THE MAU-1 GAS-FIRED HEAT SECTION SHALL BE ENABLED TO MAINTAIN A MINIMUM OF 65".
 2. WHEN KF-1 IS OFF, MAU-1 SHALL BE DE-ENERGIZED AND THE INTERNAL MOTORIZED DAMPER SHALL CLOSE.
- E. ANSUL SYSTEM ACTIVATION
 1. UPON ACTIVATION OF ANSUL SYSTEM, SHUT DOWN MAU-1, AND RTUS. PROVIDE RELAYS CONTACTS, INTERLOCKS, TRANSFORMERS AND ALL ASSOCIATED WIRING TO ACCOMPLISH SEQUENCE. MAU-1 IS ALREADY PREWIRED TO SHUT DOWN IN HOOD CONTROL PANEL. MECHANICAL CONTRACTOR SHALL INTERLOCK RTUS TO ALSO SHUT DOWN.

GENERAL NOTES

- A. CONTRACTORS AND SUB-CONTRACTORS SHALL CAREFULLY REVIEW THE CONSTRUCTION DOCUMENTS, INFORMATION REGARDING THE COMPLETE WORK IS DISPERSED THROUGHOUT THE DOCUMENT SET AND CANNOT BE ACCURATELY DETERMINED WITHOUT REFERENCE TO THE COMPLETE DOCUMENT SET.
- B. COORDINATE WITH THE WORK OF OTHER SECTIONS, EQUIPMENT FURNISHED BY OTHERS, REQUIREMENTS OF THE OWNER, AND WITH THE CONSTRAINTS OF THE EXISTING CONDITIONS OF THE PROJECT SITE. PROVIDE DUCT RISES AND DROPS AS REQUIRED FOR FIELD INSTALLATION AND TRADE COORDINATION. NOTIFY ARCHITECT OF ANY DISCREPANCIES.
- C. DRAWINGS FOR HVAC WORK ARE DIAGRAMMATIC, SHOWING THE GENERAL LOCATION, TYPE, LAYOUT, AND EQUIPMENT REQUIRED. THE DRAWINGS SHALL NOT BE SCALED FOR EXACT MEASUREMENT. REFER TO ARCHITECTURAL DRAWINGS FOR DIMENSIONS. REFER TO MANUFACTURER'S STANDARD INSTALLATION DRAWINGS FOR EQUIPMENT CONNECTIONS AND INSTALLATION REQUIREMENTS. PROVIDE DUCTWORK, CONNECTIONS, ACCESSORIES, OFFSETS, AND MATERIALS NECESSARY FOR A COMPLETE SYSTEM.
- D. ALL WORK SHALL COMPLY WITH STATE AND LOCAL CODE REQUIREMENTS AS APPROVED AND AMENDED BY THE GOVERNING CITY. PURCHASE ALL PERMITS ASSOCIATED WITH THE WORK. OBTAIN ALL INSPECTIONS REQUIRED BY CODE.
- E. INSTALL EQUIPMENT PER MANUFACTURER'S INSTRUCTIONS AND MAINTAIN MANUFACTURER'S RECOMMENDED CLEARANCE.
- F. CONTACT LANDLORD APPROVED ROOFING CONTRACTOR TO FLASH AND SEAL RELATED ROOF PENETRATIONS TO MAINTAIN ROOFING WARRANTY.
- G. INSTALL EXHAUST FAN A MINIMUM OF 10 FT FROM INTAKE AIR OPENINGS.

INSULATION SCHEDULE

ALL EXPOSED DUCTWORK IN CONDITIONED SPACES	1" DUCT LINER
ALL EXTERIOR DUCTWORK	MIN. R-12
ALL CONCEALED SUPPLY AND RETURN DUCT	MIN. R-6
ALL EXHAUST UP TO 10'-0" FROM DISCHARGE	MIN. R-8
NOTE:	
ALL SUPPLY AND RETURN AIR DUCTS AND PLENUMS SHALL BE INSULATED WITH A MINIMUM OF R-8 INSULATION WHEN LOCATED IN UNCONDITIONED SPACES AND WITH A MINIMUM OF R-12 INSULATION WHEN LOCATED OUTSIDE THE BUILDING SWELOPE. WHEN LOCATED WITHIN A BUILDING SWELOPE ASSEMBLY, THE DUCT OR PLENUM SHALL BE SEPARATED FROM THE BUILDING EXTERIOR OR UNCONDITIONED OR EXEMPT SPACES BY A MINIMUM OF R-12 INSULATION. ALL JOINTS, LONGITUDINAL AND TRANSVERSE SEAMS, AND CONNECTIONS IN DUCTWORK SHALL BE SECURELY FASTENED AND SEALED WITH WELDS, GASKETS, MASTICS, MASTIC-PLUS-EMBEDDED-FABRIC SYSTEMS OR TAPES. TAPES AND MASTICS SHALL BE LISTED AND LABELED IN ACCORDANCE WITH UL 181A OR UL 181B. DUCT CONNECTIONS TO FLANGES OF AIR DISTRIBUTION SYSTEM EQUIPMENT SHALL BE SEALED AND MECHANICALLY FASTENED. DUCT TAPE IS NOT PERMITTED AS A SEALANT ON ANY METAL DUCTS.	

ENERGY NOTE

1. MOTORIZED DAMPERS SHALL BE INSTALLED ON ALL INTAKES AND EXHAUST OPENINGS UNLESS NOTED OTHERWISE.
2. MAXIMUM FAN NAMEPLATE HORSEPOWER SHALL NOT EXCEED 1.1 HP/1000CFM.
3. LOAD CALCULATIONS WERE BASED ON ASHRAE 2021 FUNDAMENTALS
4. ALL PROGRAMMABLE THERMOSTATS SHALL HAVE 5 DEGREE DEADBAND AND SHALL HAVE 7-DAY CLOCK, 2-HOUR MANUAL OVERRIDE, 10 HOUR BACKUP AND SETBACK CAPABLE OF 55 DEGREES HEATING AND 85 DEGREES COOLING. (EXCEPT CONTINUOUS OPERATING ZONES)
5. DUCT INSULATION AS SPECIFIED WITH MINIMUM VALUES AS FOLLOWS:
 - a.R-8 SUPPLY AND RETURN DUCT INSULATION IN UNCONDITIONED SPACES.
 - b.R-12 SUPPLY AND RETURN DUCT INSULATION FOR EXTERIOR DUCTS.
 - c.R-3 SUPPLY AND RETURN DUCT INSULATION UNDERGROUND.
 - d.1-1/2" WRAPPED OR 1" INTERNAL LINER ON DUCTS WITHIN INDIRECTLY CONDITIONED PLENUM SPACES.
6. ALL DUCTWORK SHALL BE SEALED PRESSURE SENSITIVE TAPE IS NOT USED AS THE PRIMARY SEALANT. LONGITUDINAL AND TRANSVERSE SEAMS FOR DUCTS IN UNCONDITIONED SPACES AND WALL PENETRATIONS. TRANSVERSE SEAMS ON BURIED DUCTS.
7. ALL MOTORS SHALL MEET THE REQUIREMENTS OF C405.7.
8. PROVIDE COMMISSIONING PER C408.

APPLICABLE CODES

AS ADOPTED BY THE CITY OF INDIANAPOLIS, IN:
 2014 INDIANA MECHANICAL CODE (2012 IMC)
 2010 INDIANA PLUMBING CODE (2008 IPC)
 2014 INDIANA BUILDING CODE (2012 IBC)
 2014 INDIANA FIRE CODE (2012 IFC)
 2010 INDIANA ENERGY CONSERVATION CODE (ASHRAE 90.1 - 2007)
 2009 INDIANA ELECTRIC CODE
 SEISMIC DESIGN CATEGORY B

DESIGN CRITERIA

BASED ON ASHRAE HANDBOOK - 2021 FUNDAMENTALS
 INDIANAPOLIS, IN
 OUTDOOR DESIGN CONDITION
 1% COOLING: 91.1°/74.8°F DBWB
 99.6% HEATING: 1.8°F DB
 INDOOR DESIGN CONDITION (ADJUSTABLE)
 SUMMER: 75°F DB/50% RH
 WINTER: 70°F DB

ADR PROJECT NUMBER:
CAV054

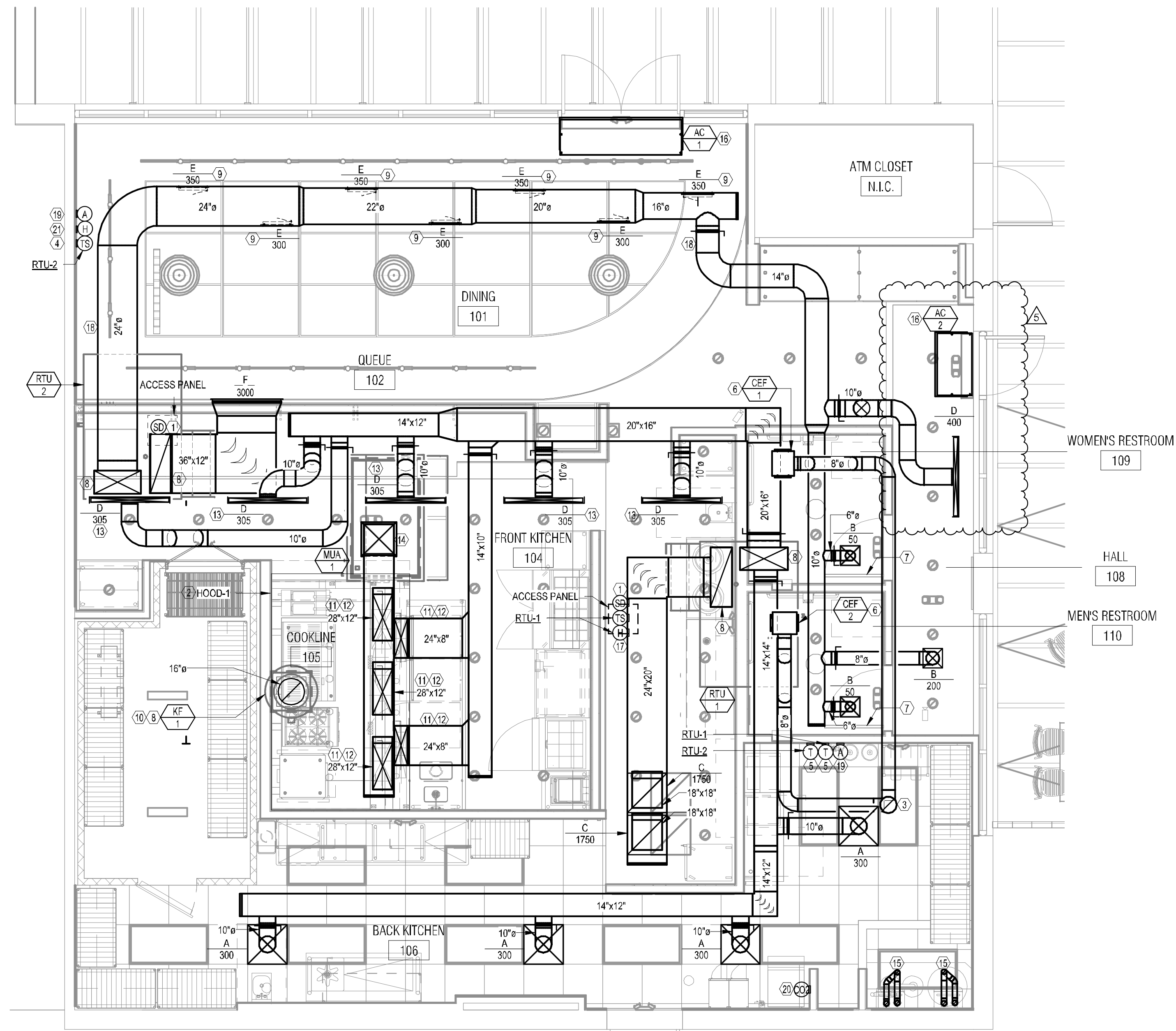
ISSUE	DATE
SD SET	07/12/2024
PERMIT SET	08/23/2024
IFC SET	12/20/2024

MECHANICAL GENERAL NOTES, SYMBOLS & LEGEND

SHEET:

3/5/2025 4:59:52 PM

MECHANICAL PLAN
SCALE: 1/4" = 1'-0"



KEYED NOTES

- DUCT MOUNTED SMOKE DETECTOR FURNISHED BY FIRE ALARM CONTRACTOR AND INSTALLED IN DUCT BY MECHANICAL CONTRACTOR. INTERLOCK WIRING BETWEEN FIRE ALARM SYSTEM RELAY AND ROOFTOP UNIT SHUTDOWN. CONTACT SHALL BE PROVIDED BY MECHANICAL CONTRACTOR. ALL OTHER WIRING BY FIRE ALARM CONTRACTOR. UPON DETECTION OF SMOKE, ROOFTOP UNIT SHALL SHUT DOWN UPON SIGNAL FROM FIRE ALARM SYSTEM. COORDINATE INSTALLATION LOCATION WITH ACCESS REQUIREMENTS. PROVIDE 18"x18" ACCESS PANEL AS REQUIRED. COORDINATE ACCESS PANEL'S FINISH WITH ARCHITECT.
- INSTALL OWNER FURNISHED TYPE I GREASE EXHAUST HOOD. SUPPORT HOOD PER MANUFACTURER'S INSTALLATION INSTRUCTIONS. PROVIDE TRAPEZE HANGERS FOR ALL THREAD SUPPORT UNDER DUCTWORK AS REQUIRED. REFER TO HOOD DRAWINGS IN FOOD SERVICE SET FOR HOOD SPECIFICATION AND ADDITIONAL INFORMATION INCLUDING BALANCE OF MAKEUP AND CONDITIONED SUPPLY AIR TO HOOD.
- 10"Ø EXHAUST DUCT VTR.
- PROVIDE REMOTE TEMPERATURE SENSOR COMPATIBLE WITH THERMOSTAT. MOUNT SENSOR 48" ABOVE FINISHED FLOOR. COORDINATE EXACT LOCATION WITH OWNER.
- INSTALL LED TOUCHSCREEN 24" PROGRAMMABLE THERMOSTAT (WITH CONTROLS LOCKED BY CODE) MOUNTED AT 48" AFF. COORDINATE EXACTLY LOCATION WITH OWNER.
- PROVIDE CEILING MOUNTED EXHAUST FAN. TRANSITION FROM FAN DISCHARGE TO DUCT SIZE SHOWN AND EXTEND UP THROUGH ROOF.
- UNDERCUT RESTROOM DOOR 1" FOR TRANSFER AIR.
- DUCT UP TO EQUIPMENT ON ROOF. REFER TO SHEET M201 FOR EQUIPMENT LOCATION.
- MOUNT REGISTER AT 15° ANGLE ON SIDE OF DUCT. ADJUST DIFFUSER BLADES TO 45° PATTERN. BALANCE AIR SCOOP TO CFM INDICATED.
- PROVIDE UL-2221 LISTED DOUBLE-WALL GREASE DUCT EQUAL TO CAPTIVEAIRE SYSTEMS MODEL DW-3R OR 32 ROUND 20 GAUGE 430 STAINLESS INNER DUCT INSULATED WITH A 24 GAUGE 430 STAINLESS OUTER SHELL. FROM HOOD COLLAR EXHAUST FAN ON ROOF. INSTALL EXHAUST DUCT PER MANUFACTURER'S INSTRUCTIONS. PROVIDE CLEANOUTS AT EVERY CHANGE OF DIRECTION IN THE DUCT AND/OR EVERY 10 FEET WITH A MINIMUM OF 3 FEET OF CLEARANCE IN FRONT OF CLEAN-OUT. COORDINATE ROUTING OF DUCTWORK WITH OWNER'S CAPTIVEAIRE REPRESENTATIVE.
- REFER TO HOOD DRAWINGS FOR BALANCE OF MAKEUP AIR AND CONDITIONED SUPPLY AIR.
- PROVIDE YOUNG REGULATOR MODEL 830ACC RECTANGULAR CABLE CONTROLLED OPPOSED BLADE BALANCING DAMPER, MODEL 270-301E2 BOWDEN CABLE CONTROL KIT, AND BOW CONTROL WIRE AND CASINGS. COORDINATE INSTALLATION LOCATION WITH ARCHITECT AND MOUNT CABLE CONTROLLER IN CEILING IN ACCORDANCE WITH MANUFACTURER'S RECOMMENDATIONS.
- REMOTE CABLE OPERATED BALANCING DAMPER. TYPICAL FOR BALANCING DAMPERS IN HARD CEILING APPLICATIONS.
- ROUTE 18"x18" MAKE UP AIR DUCT UP THROUGH ROOF ABOVE AND CONNECT TO MAKE-UP AIR UNIT. REFER TO SHEET M201 FOR CONTINUATION. COORDINATE WITH KES AND ECON-AIR DRAWINGS. SEAL WEATHER TIGHT.
- EXTEND 3" COMBUSTION AIR AND FLUE IN CEILING SPACE. FIELD VERIFY EXACT ROUTING. EXTEND 3" COMBUSTION AIR AND FLUE UP TO CONCENTRIC VENT THROUGH ROOF ABOVE.
- PROVIDE AIR CURTAIN ABOVE ENTRANCE DOOR. INSTALL PER MANUFACTURER'S RECOMMENDATIONS.
- REMOTE TEMPERATURE AND HUMIDITY SENSOR MOUNTED WITHIN RETURN DUCT FOR RTU-1. WIRE BACK TO THERMOSTAT AT MANAGER'S DESK.
- MOUNT SPIRAL DUCT TIGHT TO BOTTOM OF STRUCTURE.
- PROVIDE AUDIO/VISUAL REMOTE SMOKE DETECTOR ANNUNCIATOR WITH REMOTE KEY OPERATED RESET FOR SMOKE DETECTOR MOUNTED AT 48" AFF. ALIGN ANNUNCIATOR WITH THERMOSTAT SENSOR WHERE APPLICABLE.
- PROVIDE CO2 MEASUREMENT SPECIALISTS RAD-0102-6 REMOTE CO2 STORAGE SAFETY ALARM (OR EQUAL). INSTALL PER MANUFACTURER'S RECOMMENDATIONS.
- PROVIDE REMOTE HUMIDITY SENSOR COMPATIBLE WITH THERMOSTAT. MOUNT SENSOR 48" ABOVE FINISHED FLOOR.

GENERAL NOTES

- CONTRACTOR SHALL PROVIDE ALL MATERIALS AND EQUIPMENT AND PERFORM ALL LABOR AS REQUIRED TO INSTALL A COMPLETE AND OPERABLE HVAC SYSTEM PER THE NEW ARCHITECTURAL LAYOUT AND AS TO COMPLY WITH THE SPECIFICATIONS, DETAILS, THIS SCOPE OF WORK AND ALL APPLICABLE CODES.
- ALL WORK PERFORMED SHALL CONFORM TO ALL APPLICABLE STATE AND LOCAL CODES.
- IT IS THE RESPONSIBILITY OF THE CONTRACTOR TO FIELD VERIFY ALL EXISTING CONDITIONS AND COORDINATE ALL NEW WORK WITH ALL TRADES PRIOR TO ANY WORK BEING DONE TO ENSURE CONFLICTS DO NOT OCCUR.
- DISRUPTION OF ANY EXISTING SERVICE SHALL BE CLEARED WITH THE OWNER AND SHALL BE PERFORMED AT A TIME AND IN A MANNER SO AS TO CAUSE THE OWNER A MINIMUM OF INCONVENIENCE.
- ALL DUCT SIZES INDICATED ON PLANS AND RISERS ARE CLEAR INSIDE DIMENSIONS. DUCT SIZES NOT SHOWN SHALL BE SIZED TO VELOCITIES NO GREATER THAN UPSTREAM SECTION USING SIMILAR ASPECT RATIOS.
- ALL SUPPLY AIR TAKEOFFS FROM MAIN TRUNK DUCTS ARE TO BE INSTALLED WITH BELL MOUTH FITTINGS OR 45 DEGREE ENTRY TO PROVIDE THE SMOOTHEST AIR FLOW POSSIBLE.
- PROVIDE TURNING VANES IN ALL LOW-PRESSURE 90-DEGREE DUCT TURNS.
- ALL THERMOSTAT LOCATIONS SHALL BE APPROVED BY THE ARCHITECT.
- ALL DUCTS LOCATED ABOVE INACCESSIBLE CEILINGS ARE TO BE BALANCED PRIOR TO CEILING INSTALLATIONS.
- CONTRACTOR SHALL PROVIDE ACCESS DOORS FOR SERVICE AND MAINTENANCE OF ALL EQUIPMENT LOCATED ABOVE INACCESSIBLE CEILINGS.
- PROVIDE GUIDES, HANGERS, EXPANSION LOOPS AND SUPPLEMENTARY STEEL SUPPORT WHERE REQUIRED FOR ALL PIPING.
- PROVIDE GUARDS FOR ANY MECHANICAL EQUIPMENT THAT REQUIRE SERVICE ON ROOF THAT IS LOCATED WITHIN 10' OF A ROOF EDGE. THE TOP OF THE GUARD SHALL BE LOCATED NOT LESS THAN 42" ABOVE THE ELEVATED SURFACE ADJACENT TO THE GUARD.

HVAC COMMISSIONING

GENERAL CONTRACTOR SHALL HIRE A THIRD PARTY REGISTERED DESIGN PROFESSIONAL OR APPROVED AGENCY TO DEVELOP A COMMISSIONING PLAN THAT SHALL INCLUDE THE FOLLOWING ITEMS:

- NARRATIVE DESCRIPTION OF ACTIVITIES THAT WILL BE ACCOMPLISHED DURING EACH PHASE OF COMMISSIONING, INCLUDING PERSONNEL INTENDED TO ACCOMPLISH EACH PHASE OF ACTIVITY.
- LISTING OF SPECIFIC EQUIPMENT, APPLIANCES OR SYSTEMS TO BE TESTED AND DESCRIPTION OF TESTS TO BE PERFORMED.
- FUNCTIONS TO BE TESTED, INCLUDING, BUT NOT LIMITED TO CALIBRATIONS AND ECONOMIZER CONTROLS.
- CONDITIONS UNDER WHICH TEST WILL BE PERFORMED. AT MINIMUM, TESTING SHALL AFFIRM WINTER AND SUMMER DESIGN CONDITIONS AND FULL OUTSIDE AIR CONDITIONS.
- MEASURABLE CRITERIA FOR PERFORMANCE.

A PRELIMINARY REPORT OF COMMISSIONING TEST PROCEDURES AND RESULTS SHALL BE COMPLETED AND CERTIFIED BY REGISTERED DESIGN PROFESSIONAL OR APPROVED AGENCY IN ACCORDANCE WITH REQUIREMENTS OF SECTION C408.2 OF THE ENERGY CONSERVATION CODE AND PROVIDED TO PROJECT OWNER. A COPY OF THE REPORT SHALL BE MADE AVAILABLE TO CODE OFFICIAL IF REQUESTED.

FINAL COMMISSIONING REPORT SHALL BE DUE TO PROJECT OWNER WITHIN 90 DAYS OF RECEIPT OF CERTIFICATE OF OCCUPANCY.

DEMOLITION NOTES

REMOVE ALL EXISTING MECHANICAL EQUIPMENT, DUCTWORK, HANGERS, SUPPORTS, PIPING, AND ACCESSORIES ONLY SERVING THIS SPACE AND NOT INDICATED TO REMAIN. CAP UNUSED ROOF CURBS WITH 16 GAUGE GALVANIZED SHEET METAL CAP. INSULATE CURB CAPS WITH 2" THICK 2 PCF DENSITY DUCT LINER, AND SEAL WATER TIGHT. FIELD VERIFY EXISTING CONDITIONS PRIOR TO BID.

REMODEL NOTES

THIS DRAWING IS BASED ON BEST AVAILABLE INFORMATION AT TIME OF DESIGN AND MAY NOT REFLECT AS-BUILT CONDITIONS. ALL MECHANICAL INSTALLATIONS INDICATED ON THIS SHEET SHALL BE FIELD VERIFIED PRIOR TO BID AND DEMOLITION.

EQUIPMENT CLEARANCE NOTES

VERIFY ALL EXISTING EXHAUST OUTLETS WITHIN 10'-0" OF OUTDOOR AIR INTAKES ARE MINIMUM 3'-0" HIGHER THAN OUTDOOR AIR INTAKES. CONTACT THE ARCHITECT AND ENGINEER IMMEDIATELY IF ANY EXISTING EXHAUST OUTLETS WITHIN 10'-0" OF OUTDOOR AIR INTAKES ARE OBSERVED TO BE LESS THAN 3'-0" HIGHER THAN OUTDOOR AIR INTAKES.

ferris+sloane

CAVA

CAVA #010518 INDIANAPOLIS IN - IUPUI
801 W. 10TH STREET
INDIANAPOLIS, IN 46202
FOR CAVA
14 Ridge Square NW #500, WASHINGTON, DC 20016

AOR PROJECT NUMBER:
CAV054

ISSUE	DATE
SD SET	07/12/2024
PERMIT SET	08/23/2024
IFC SET	12/20/2024
QSR CHANGES	03/05/2025

MECHANICAL PLAN

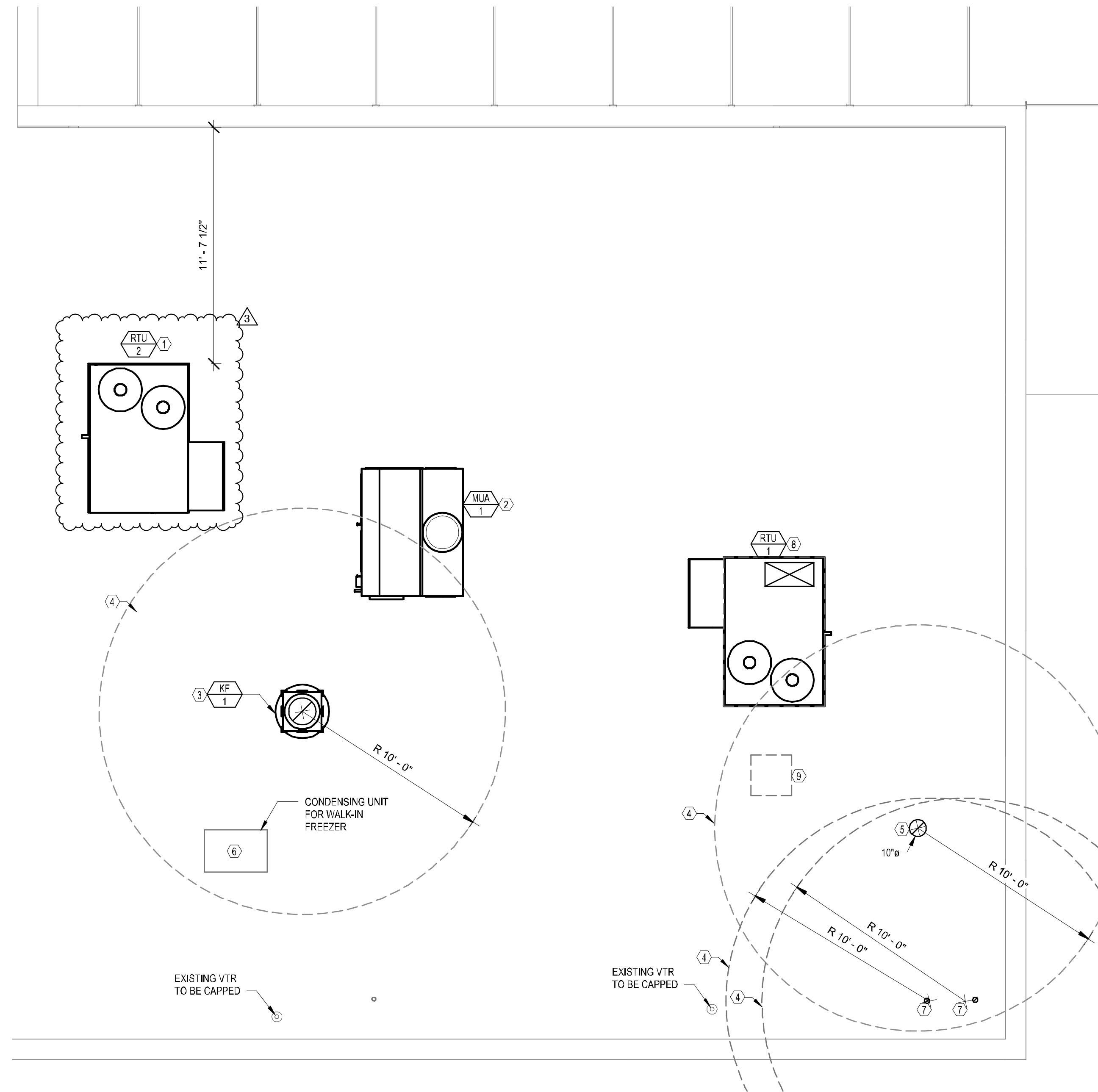
SHEET:

M101



2/7/2025 9:34:36 AM

MECHANICAL ROOF PLAN
SCALE: 1/4" = 1'-0"



GENERAL NOTES

- ALL ROOFTOP EQUIPMENT LOCATIONS SHALL BE COORDINATED WITH ROOF DRAINS. REFER TO ARCHITECTURAL AND STRUCTURAL PLANS FOR EXACT LOCATIONS OF EQUIPMENT.
- THE INSTALLING CONTRACTOR SHALL PROVIDE ROOF CURBS AND LEVELING CURBS TO MATCH THE ROOF PITCH IF REQUIRED. THE ROOFING CONTRACTOR SHALL FLASH ALL CURBS INTO ROOF.
- ALL ROOFTOP EQUIPMENT SHALL BE SET ON CURBS OR RAILS. ALL PIPE AND DUCT PENETRATIONS THROUGH THE ROOF SHALL HAVE A WEATHER PROOF CURB OR FLASHING. ALL ROOF FLASHING SHALL BE PERFORMED BY THE ROOFING CONTRACTOR.
- ALL VENTS AND EXHAUSTS SHALL BE LOCATED A MINIMUM OF 10'-0" AWAY FROM FRESH AIR INTAKES PER LOCAL CODE.
- VENT TERMINATIONS PROVIDED BY THE PLUMBING CONTRACTOR SHALL BE 12'-0" MINIMUM FROM ANY AIR INTAKE. EXTEND TERMINATION HEIGHT TO PROVIDE 12'-0" GROSS SECTION CLEARANCE WHERE NEEDED.
- ANY PENETRATION THROUGH THE ROOF SHALL BE COORDINATED WITH THE ROOFING CONTRACTOR.
- ALL STRUCTURAL DUCT OPENINGS SHALL BE APPROVED BY THE STRUCTURAL ENGINEER PRIOR TO CUTTING. INDICATE ON 1/8" SHOP DRAWINGS EXACT LOCATION OF OPENINGS COORDINATED WITH STRUCTURAL TRADES. PROVIDE DUCT ROOF CURBS AT ALL DUCT PENETRATIONS THRU THE ROOF.
- ALL EQUIPMENT SHALL BE A MINIMUM OF 10'-0" AWAY FROM ROOF EDGE.
- ACCESS TO MECHANICAL APPLIANCES INSTALLED IN UNDER-FLOOR AREAS, IN ATTIC SPACES, AND ON ROOFS OR ELEVATED STRUCTURES SHALL BE IN ACCORDANCE WITH THE INTERNATIONAL MECHANICAL CODE.
- EXHAUST TERMINATION OF ENVIRONMENTAL AIR DUCTS SHALL TERMINATE NOT LESS THAN 3'-0" FROM A PROPERTY LINE, 10'-0" FROM A FORCED AIR INLET, AND 3'-0" FROM OPENINGS INTO BUILDINGS.

KEYED NOTES

- INSTALL OWNER FURNISHED ROOFTOP UNIT ON ENGINEERED CURB. COORDINATE WITH STRUCTURE. SHIM UNIT AND CURB LEVEL FOR PROPER CONDENSATE DRAINAGE. PROVIDE FLEXIBLE CONNECTORS ON SUPPLY AND RETURN AIR DUCT CONNECTIONS.
- INSTALL OWNER FURNISHED MAKEUP AIR UNIT AND ROOF CURB. SHIM UNIT AND CURB LEVEL FOR PROPER CONDENSATE DRAINAGE. PROVIDE FLEXIBLE CONNECTORS ON THE SUPPLY AIR DUCT CONNECTION. TRANSITION TO DUCT SIZE SHOWN ON M101.
- INSTALL OWNER FURNISHED ROOF MOUNTED EXHAUST FAN AND CURB.
- MAINTAIN A MINIMUM 10'-0" CLEARANCE FROM EXHAUST DISCHARGE TO OUTSIDE AIR INTAKES.
- EXTEND 10'-0" EXHAUST DUCT UP THROUGH ROOF. PROVIDE A ROOF JACK, STORM COLLAR, AND ALL-WEATHER CAP.
- INSTALL OWNER FURNISHED REMOTE CONDENSING ON EXISTING CONDENSING UNIT SUPPORT RAILS FOR WALK-IN COOLER. INSTALL REFRIGERANT LINE SET, THERMOSTATIC EXPANSION VALVE, SOLENOID VALVE, TEMPERATURE CONTROL, SIGHT GLASS, FILTER DRIER, PRESSURE CONTROL, CRANKCASE HEATER, LOW AMBIENT CONTROLS, AND WEATHER PROOF HOUSING. PROVIDE ROOF RAILS TO SUPPORT CONDENSING UNIT ON ROOF. TRAP AND SLOPE REFRIGERANT LINES PER MANUFACTURER'S RECOMMENDATIONS. PROVIDE PIPE CURB ASSEMBLY FOR ROOF PENETRATIONS. SEAL PIPING PENETRATIONS THROUGH COOLER ROOF.
- PROVIDE WITH NAVIAN GXXX000057 CONCENTRIC VENT AT TERMINATION.
- INSTALL OWNER FURNISHED ROOFTOP UNIT ON ENGINEERED ADAPTIVE CURB. COORDINATE UNIT WITH STRUCTURE. SHIM UNIT AND CURB LEVEL FOR PROPER CONDENSATE DRAINAGE. PROVIDE FLEXIBLE CONNECTORS ON SUPPLY AND RETURN AIR DUCT CONNECTIONS.
- CAP ROOF CURB FOR WEATHER TIGHT SEAL.

EQUIPMENT CLEARANCE NOTE

VERIFY ALL EXISTING EXHAUST OUTLETS WITHIN 10'-0" OF OUTDOOR AIR INTAKES ARE MINIMUM 3'-0" HIGHER THAN OUTDOOR AIR INTAKES. CONTACT THE ARCHITECT AND ENGINEER IMMEDIATELY IF ANY EXISTING EXHAUST OUTLETS WITHIN 10'-0" OF OUTDOOR AIR INTAKES ARE OBSERVED TO BE LESS THAN 3'-0" HIGHER THAN OUTDOOR AIR INTAKES.

ferris+sloane

100 N. Howard Street, Suite 4500, Spokane, WA 99201

CAVA #010518 INDIANAPOLIS IN - IUPUI
801 W. 10TH STREET
INDIANAPOLIS, IN 46202
FOR
CAVA
14 Ridge Square NW #500, WASHINGTON, DC 20016

AOR PROJECT NUMBER:
CAV054

ISSUE	DATE
SD SET	07/12/2024
PERMIT SET	08/23/2024
IFC SET	12/20/2024

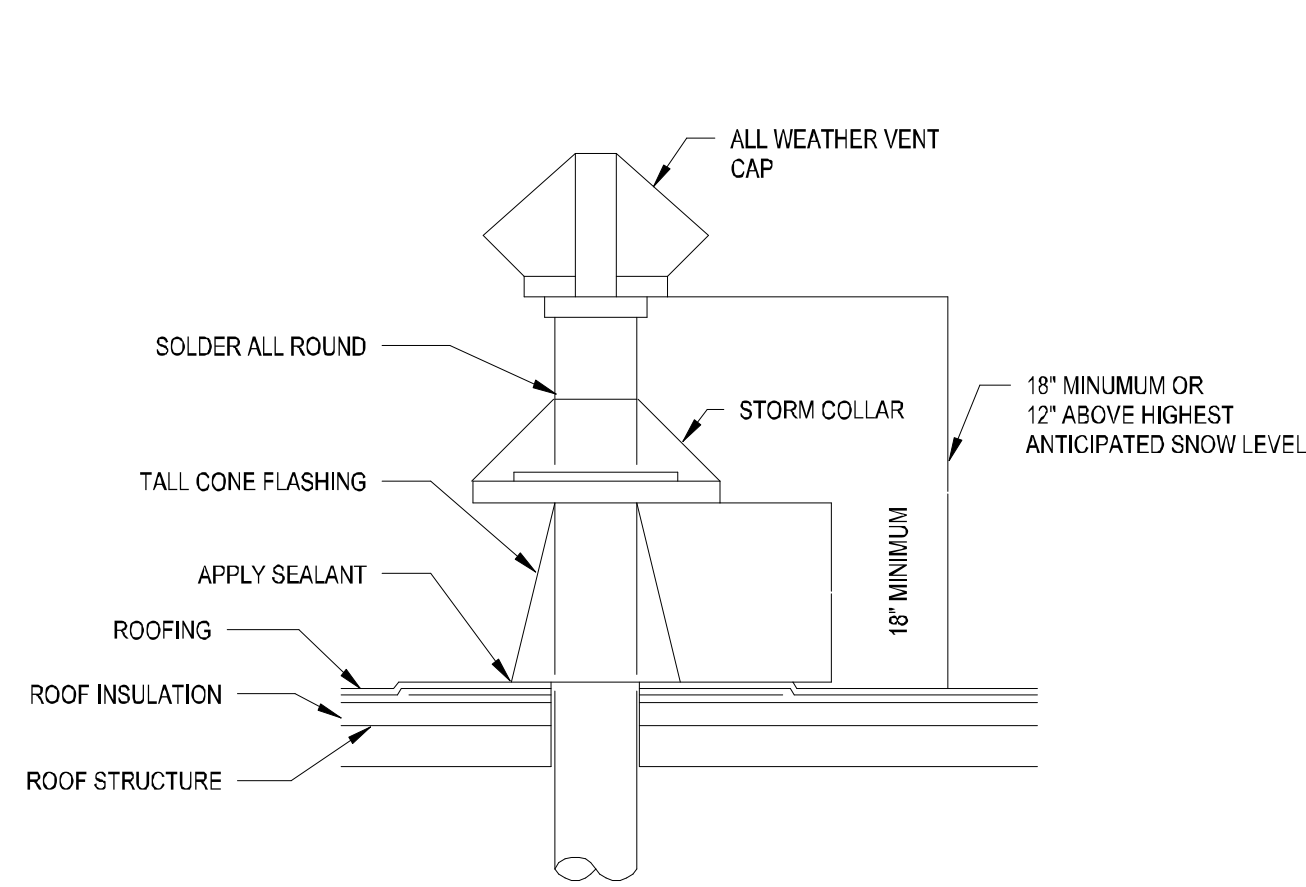
MECHANICAL ROOF PLAN

SHEET:

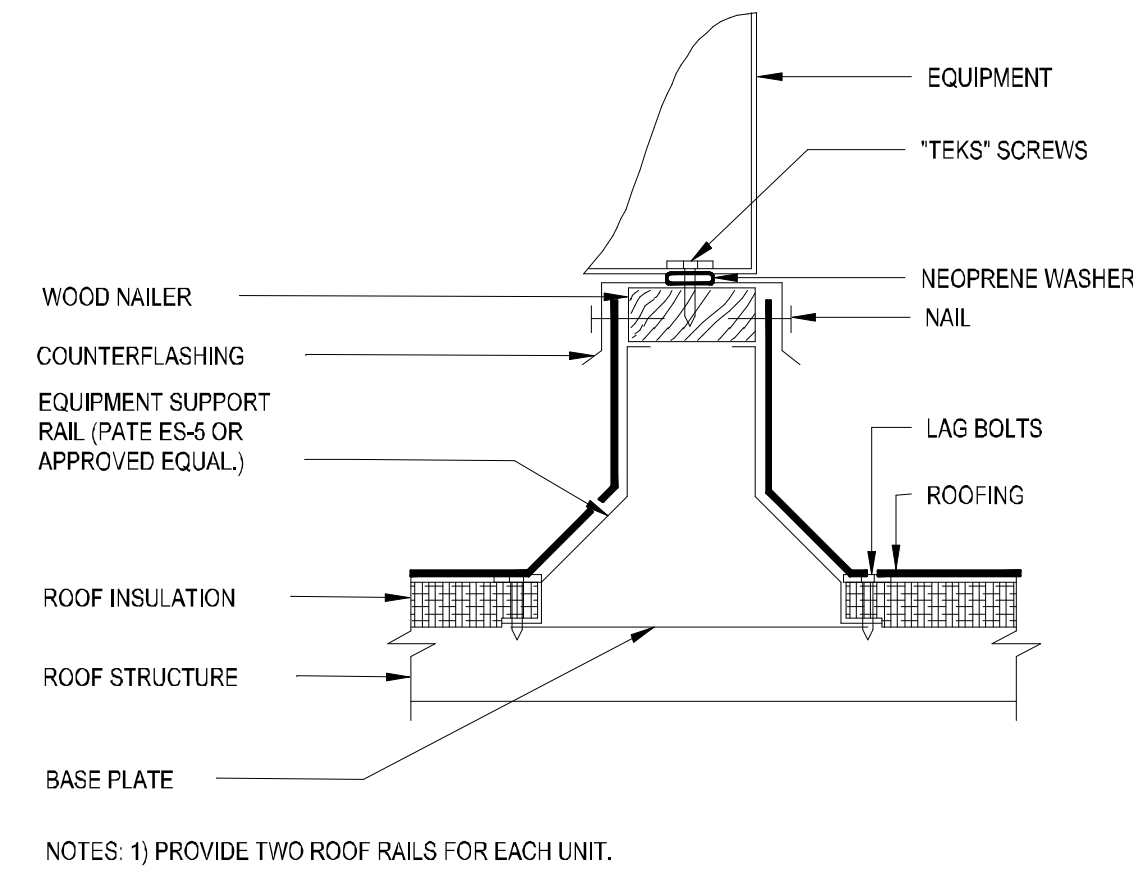
M201



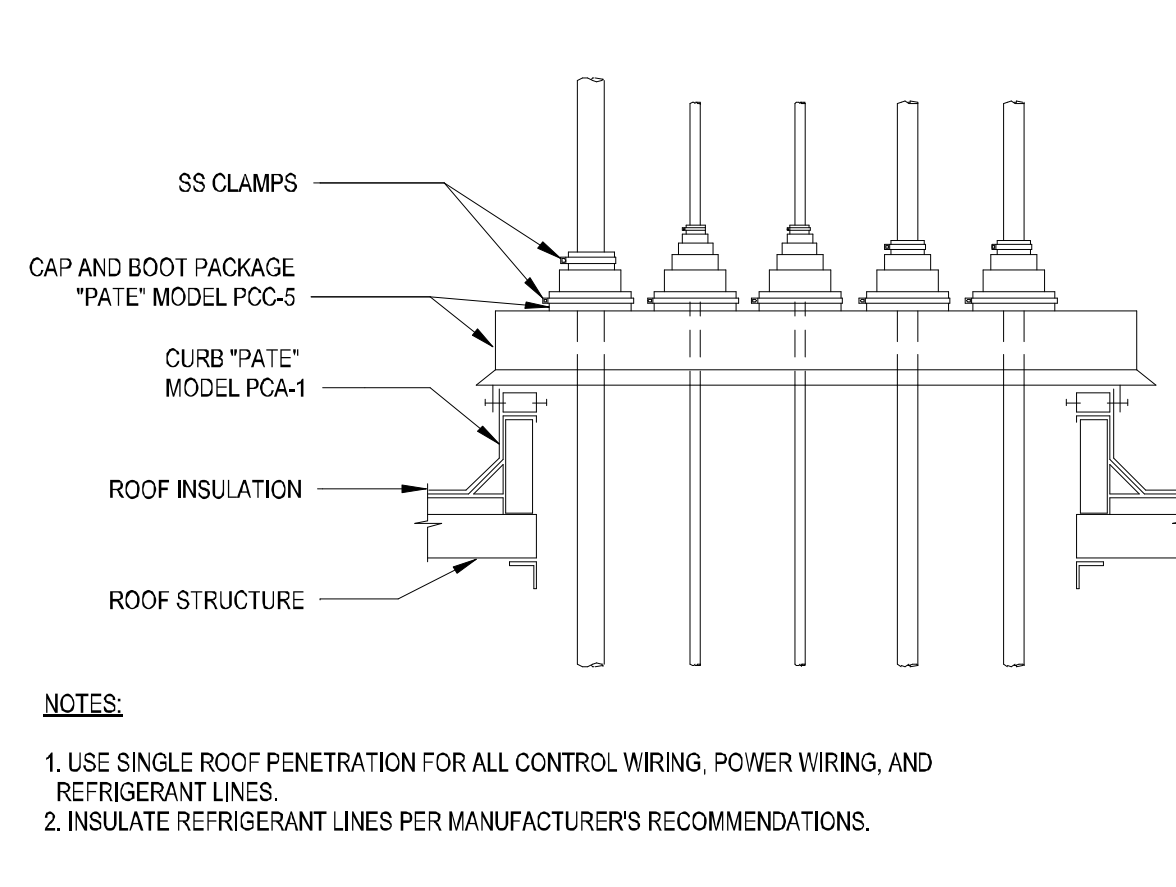
2800 15th Ave SE | Suite 113 Bellevue, WA 98007
T: 425.736.4190 | www.rtmec.com



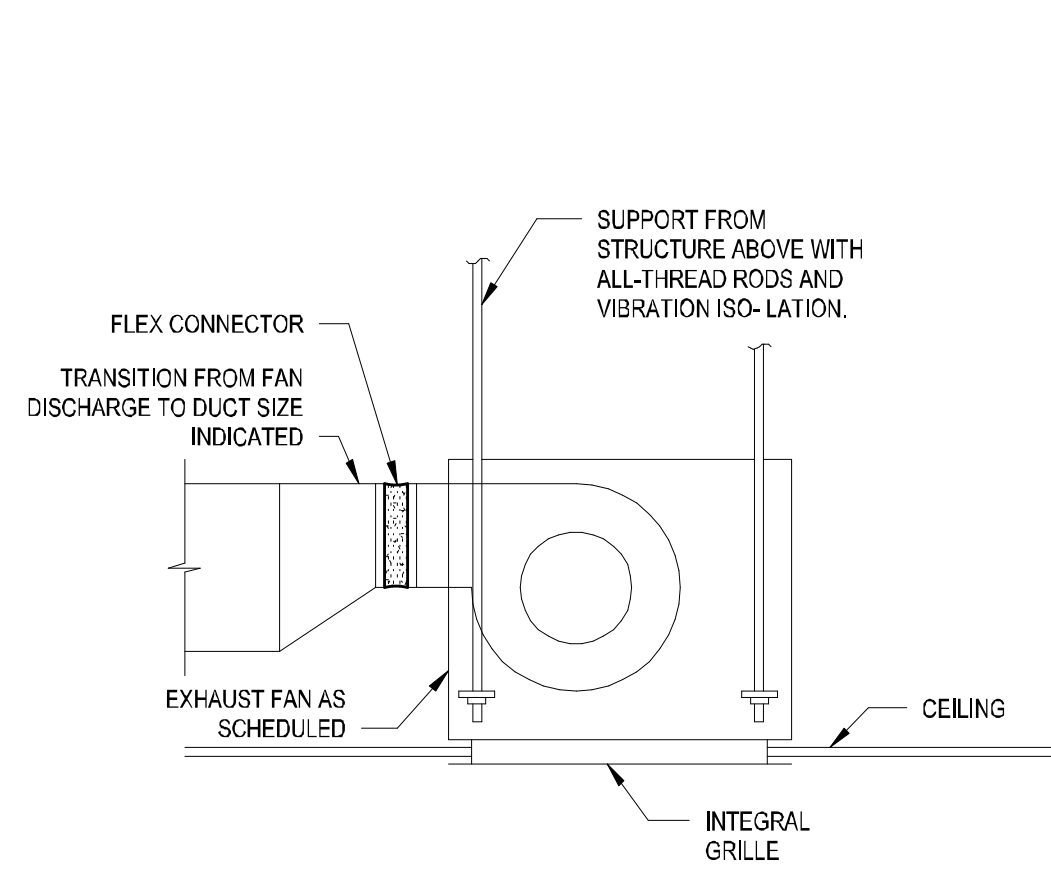
1 DUCT THRU ROOF DETAIL
SCALE: N.T.S.



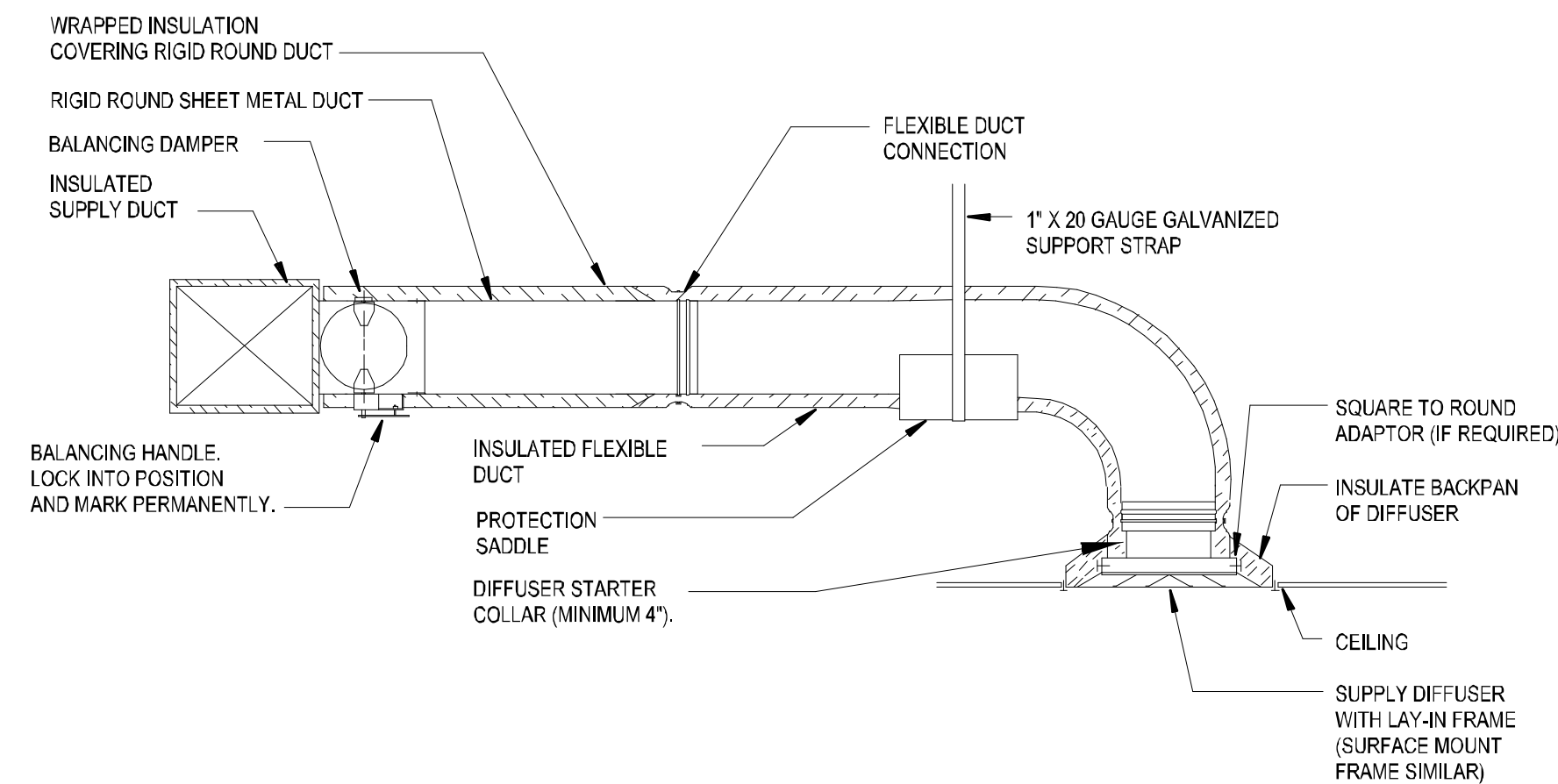
2 EQUIPMENT SUPPORT RAIL DETAIL
SCALE: N.T.S.



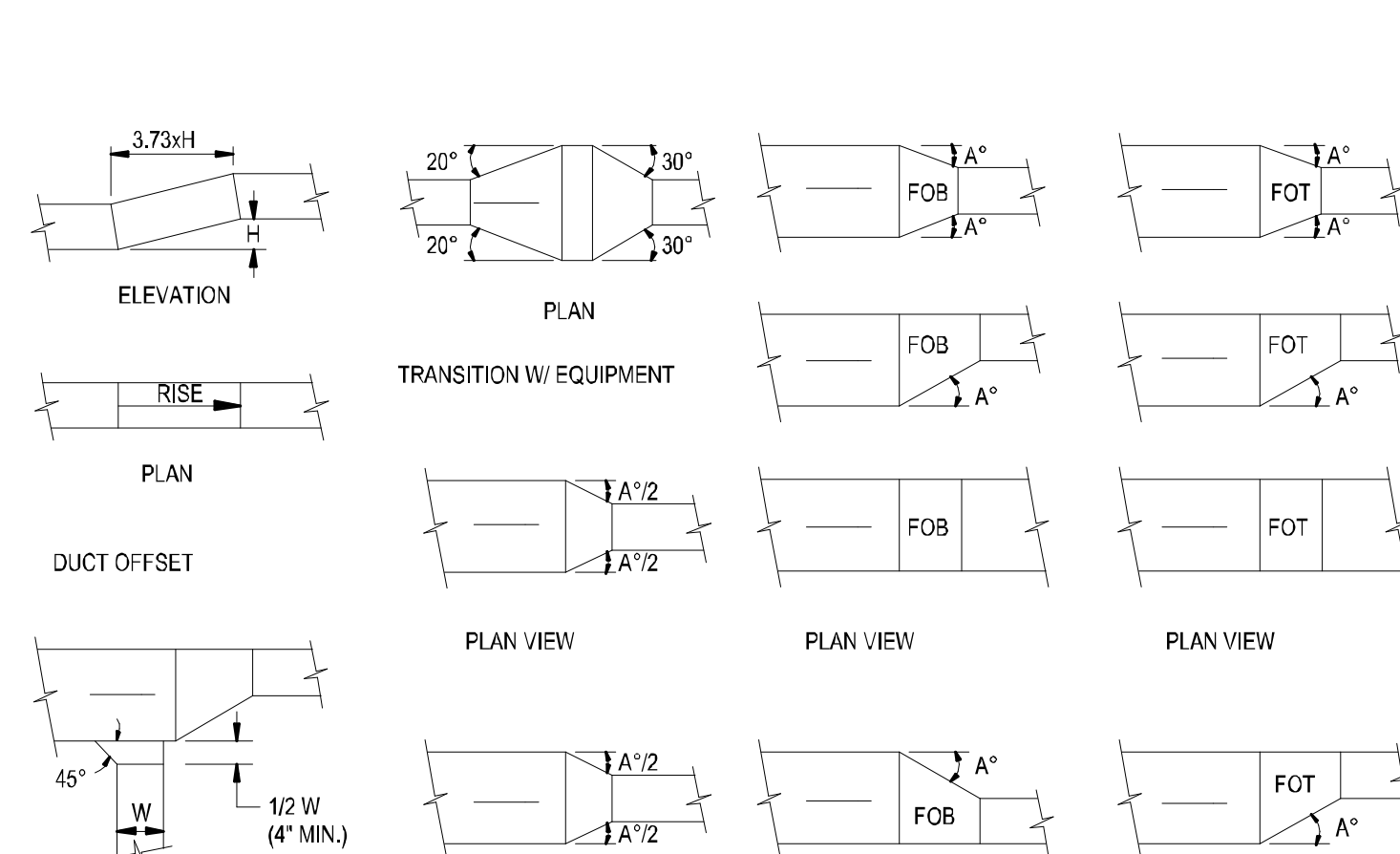
3 PIPE ROOF PENETRATION DETAIL
SCALE: N.T.S.



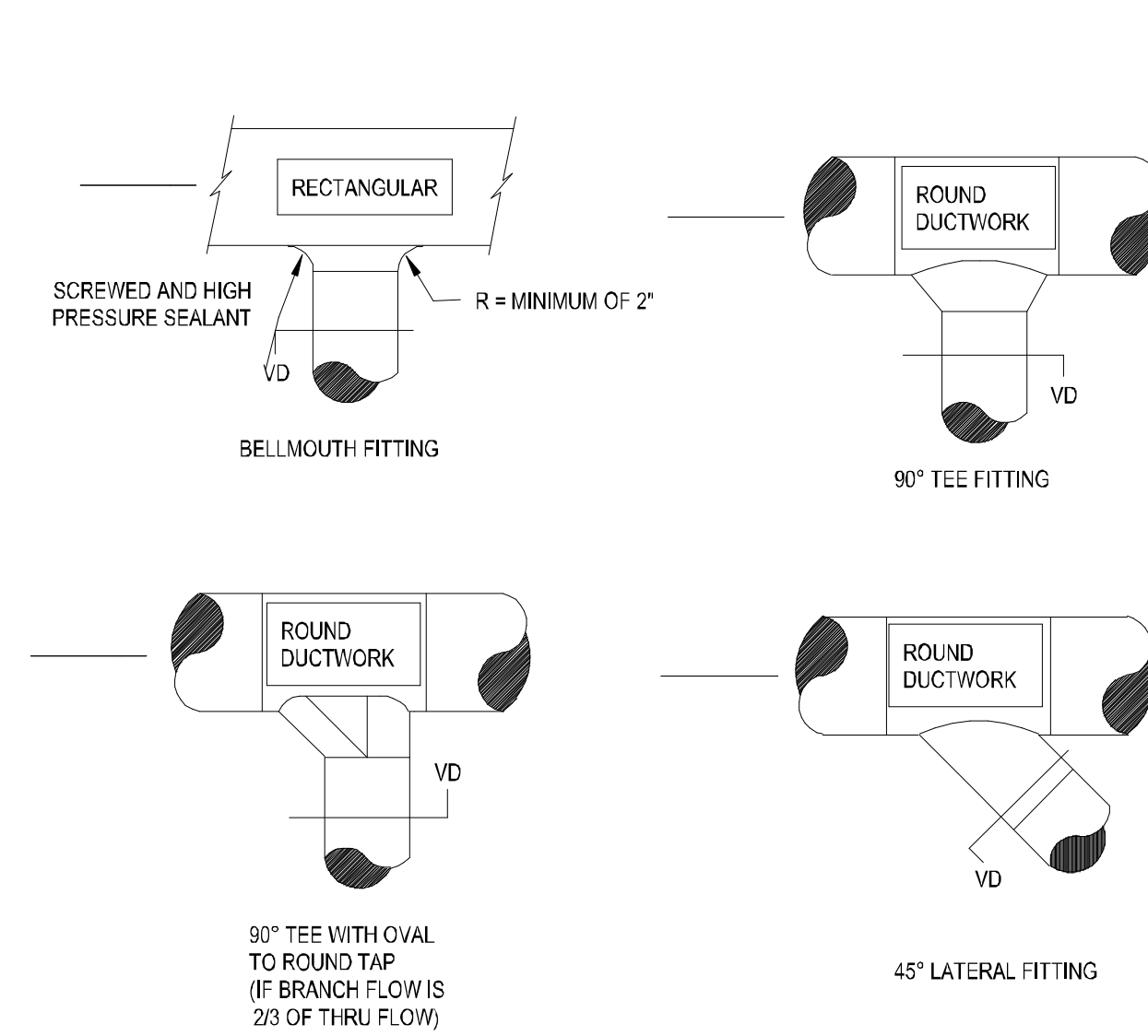
4 TYPICAL CABINET EXHAUST FAN DETAIL
SCALE: N.T.S.



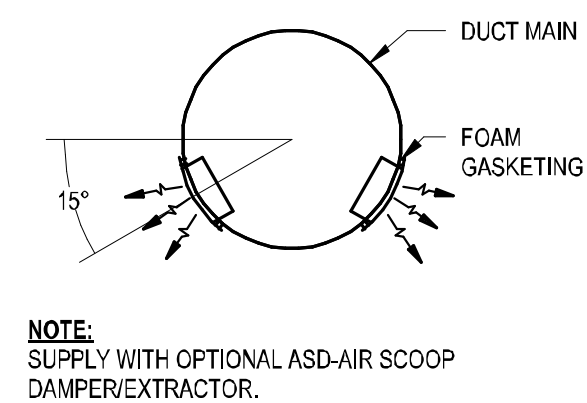
5 DIFFUSER CONNECTION DETAIL
SCALE: N.T.S.



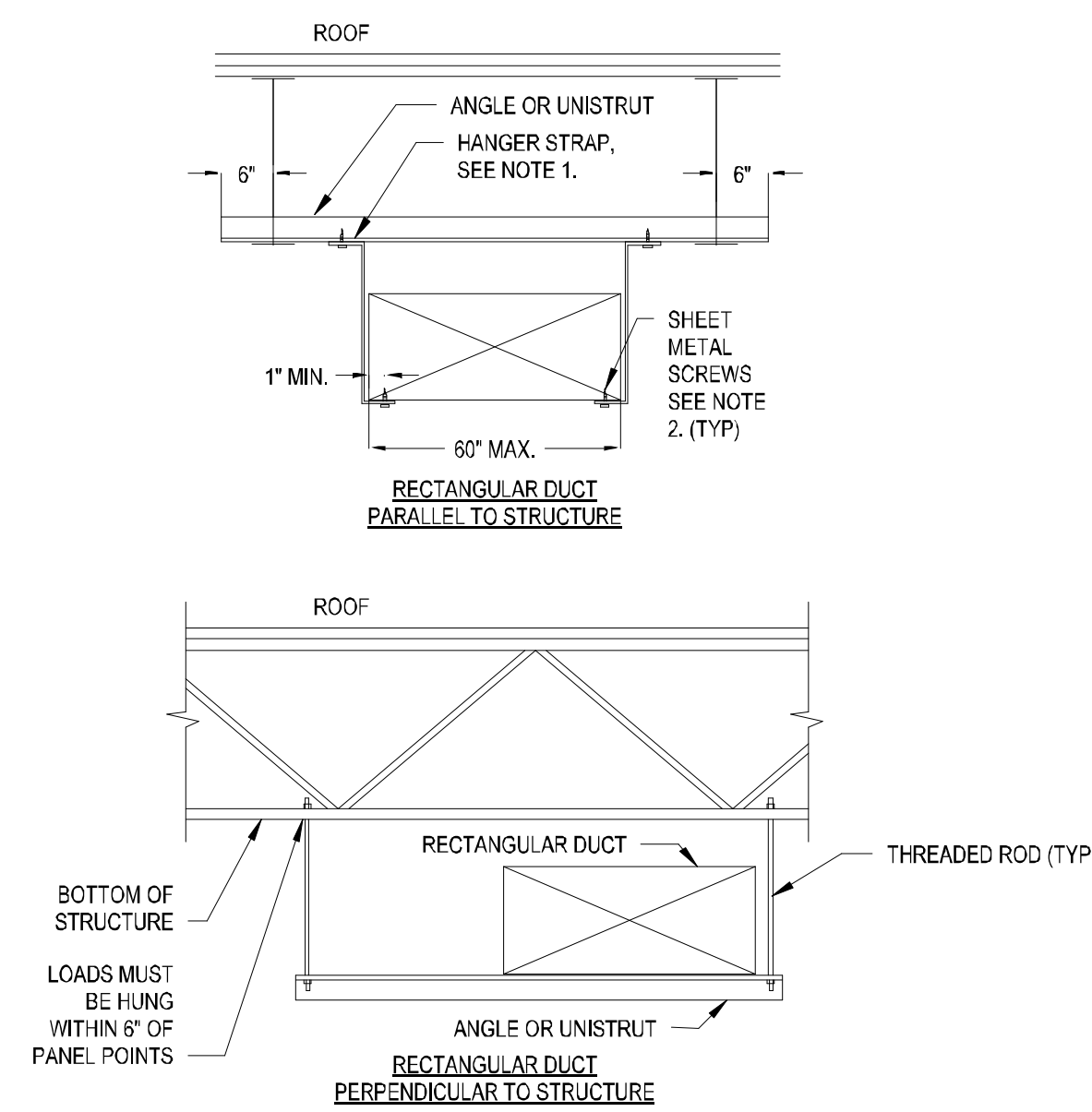
6 LOW VELOCITY DUCT FITTINGS DETAIL
SCALE: N.T.S.



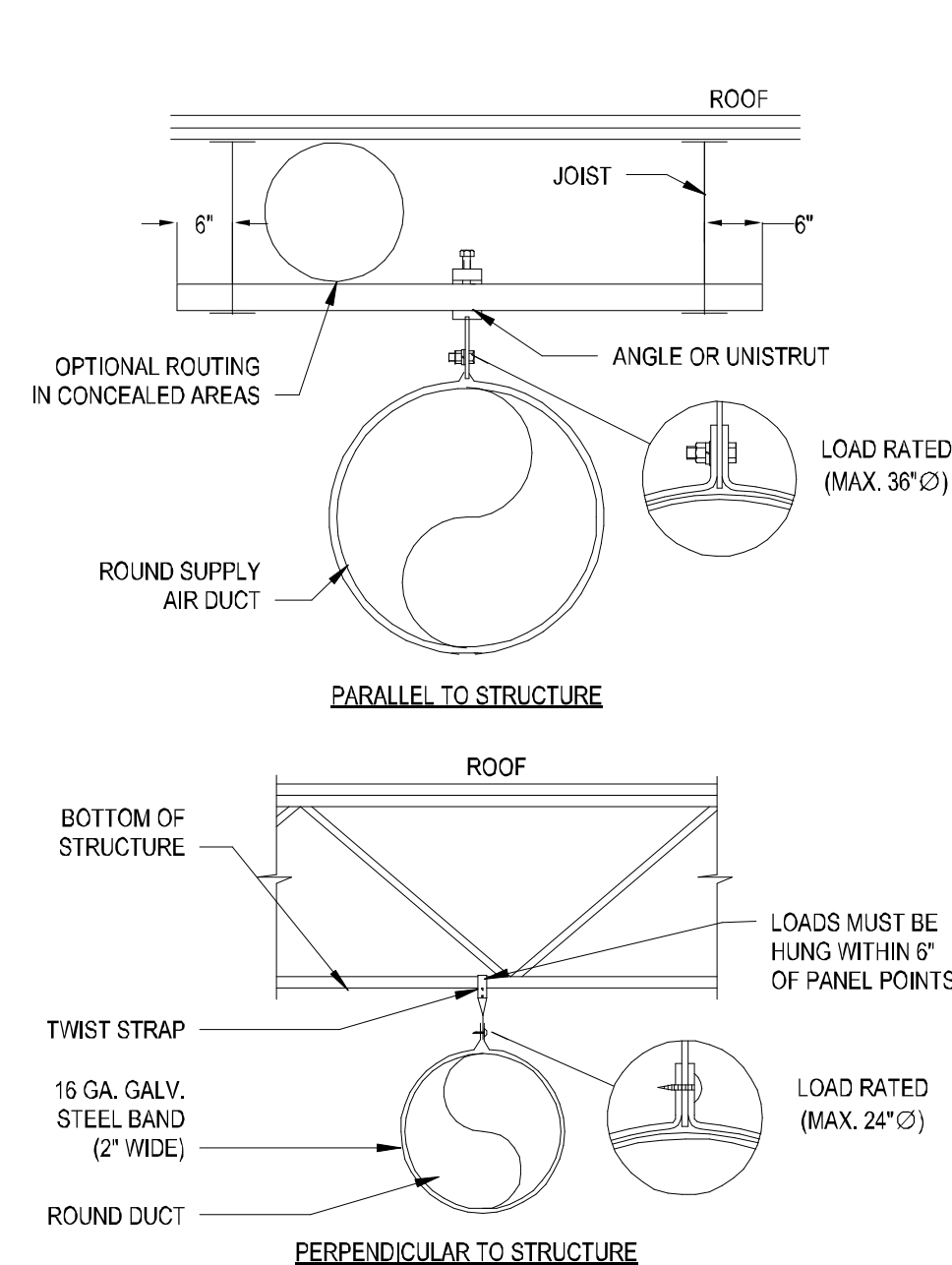
7 ROUND DUCTWORK FITTINGS
SCALE: N.T.S.



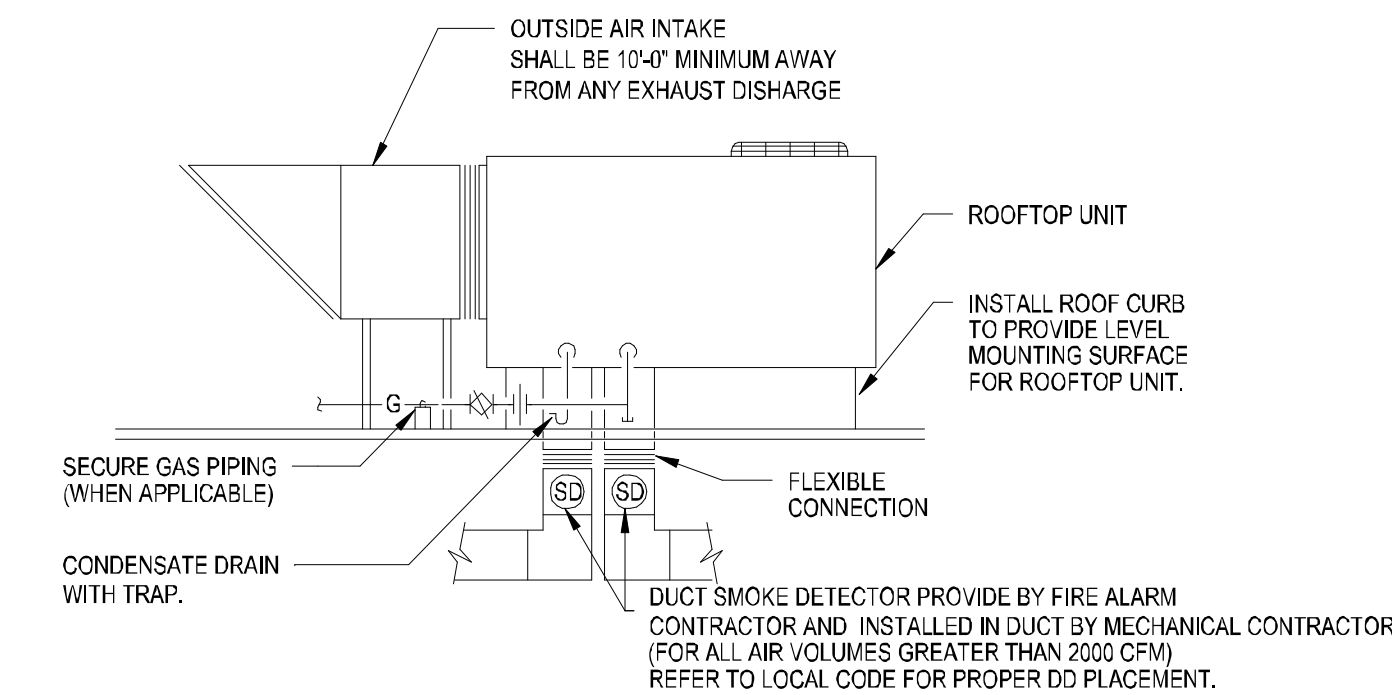
8 TYPICAL SUPPLY GRILLE MOUNTED ON SPIRAL DUCTWORK
SCALE: N.T.S.



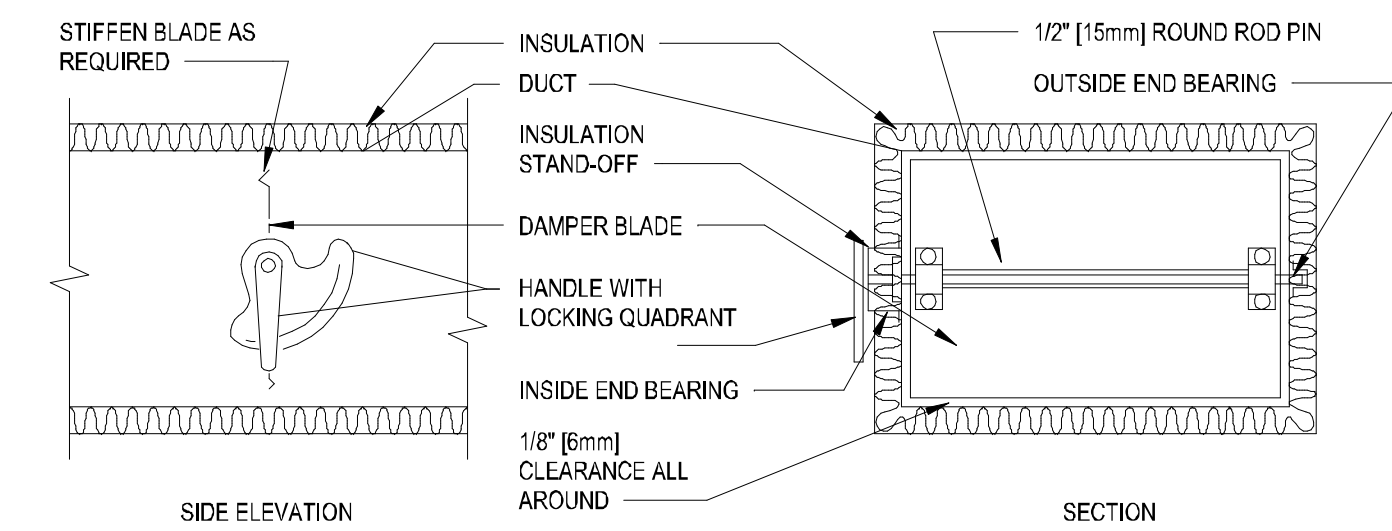
9 RECTANGULAR DUCT SUPPORT FROM CEILING
STRUCTURE/JOISTS DETAIL
SCALE: N.T.S.



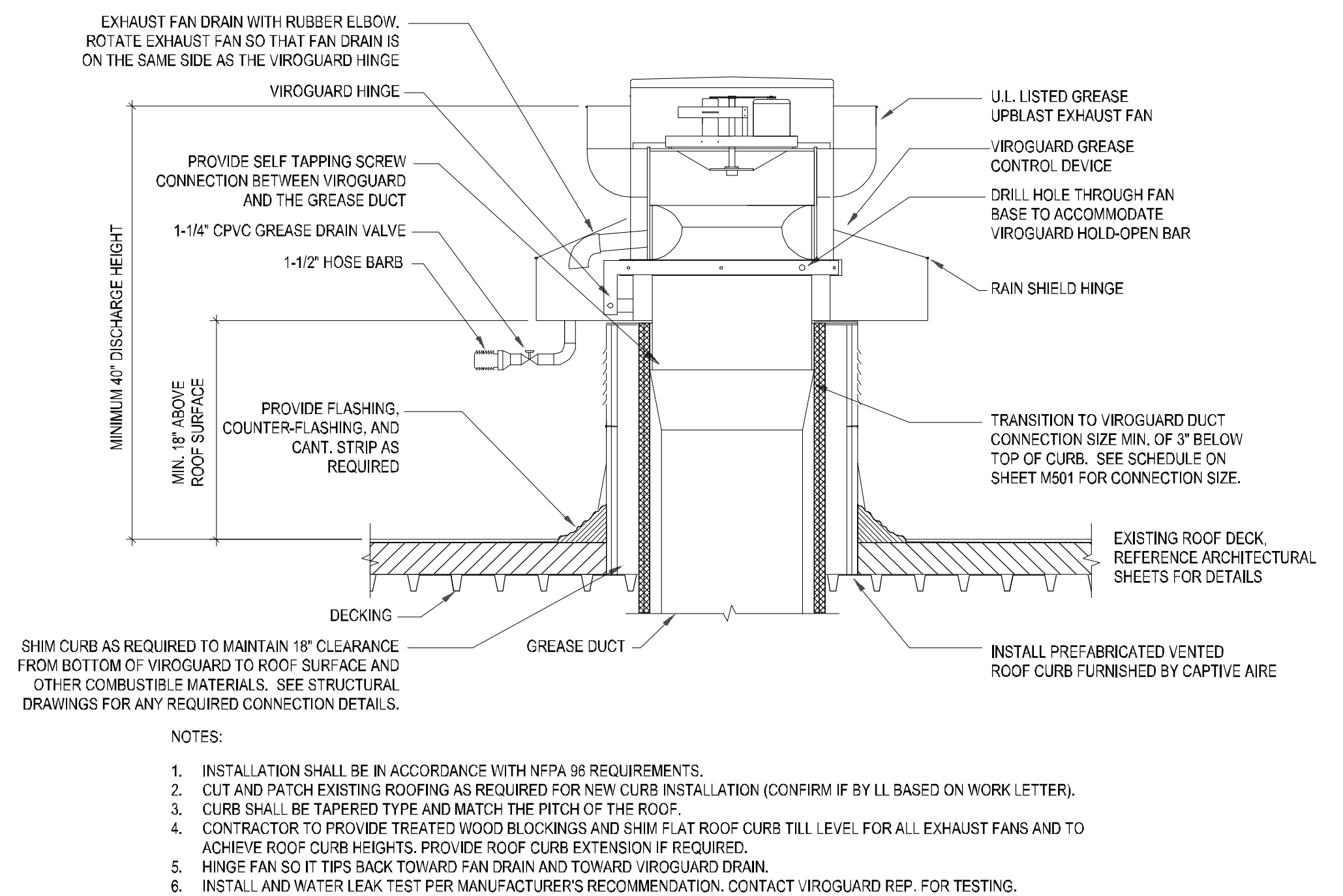
10 ROUND DUCT SUPPORT DETAIL
SCALE: N.T.S.



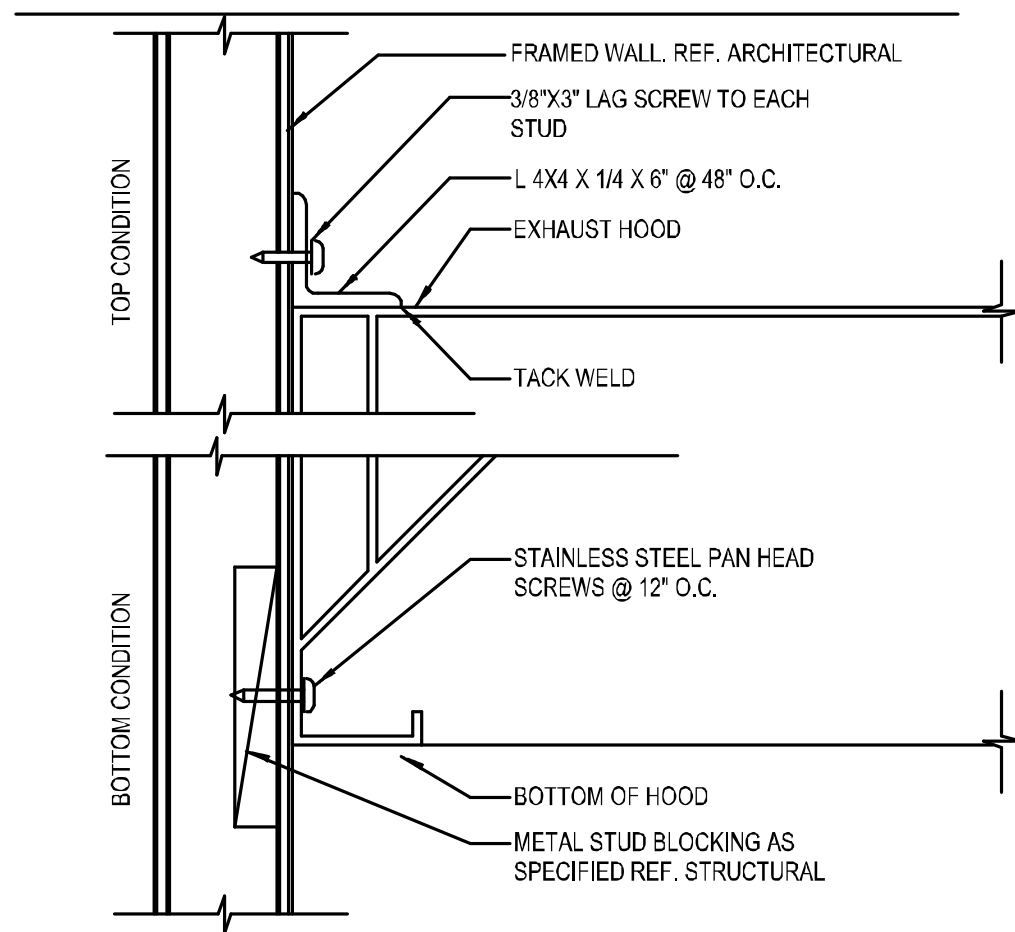
11 ROOF TOP UNIT DETAIL
SCALE: N.T.S.



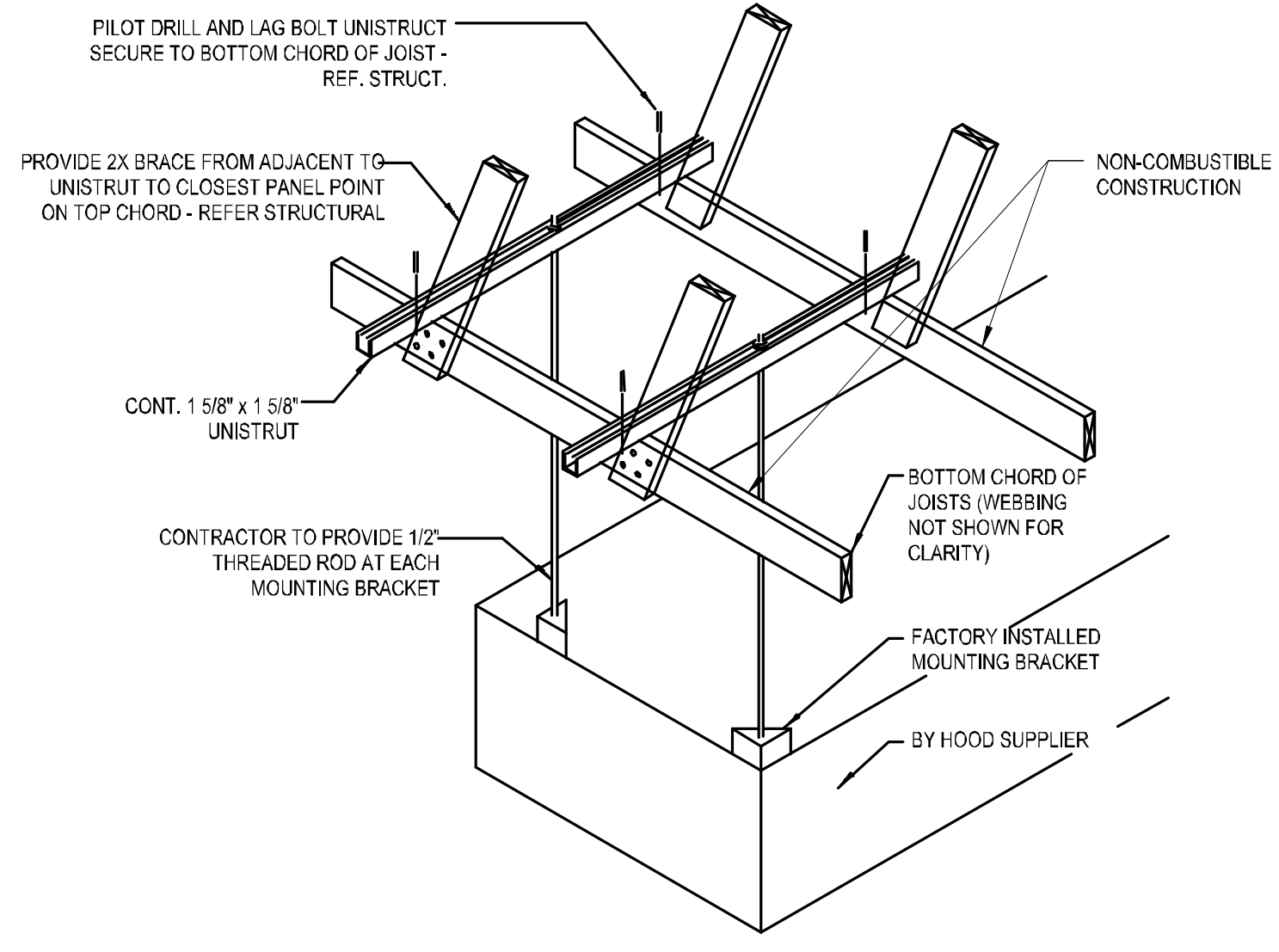
12 VOLUME DAMPER DETAIL
SCALE: N.T.S.



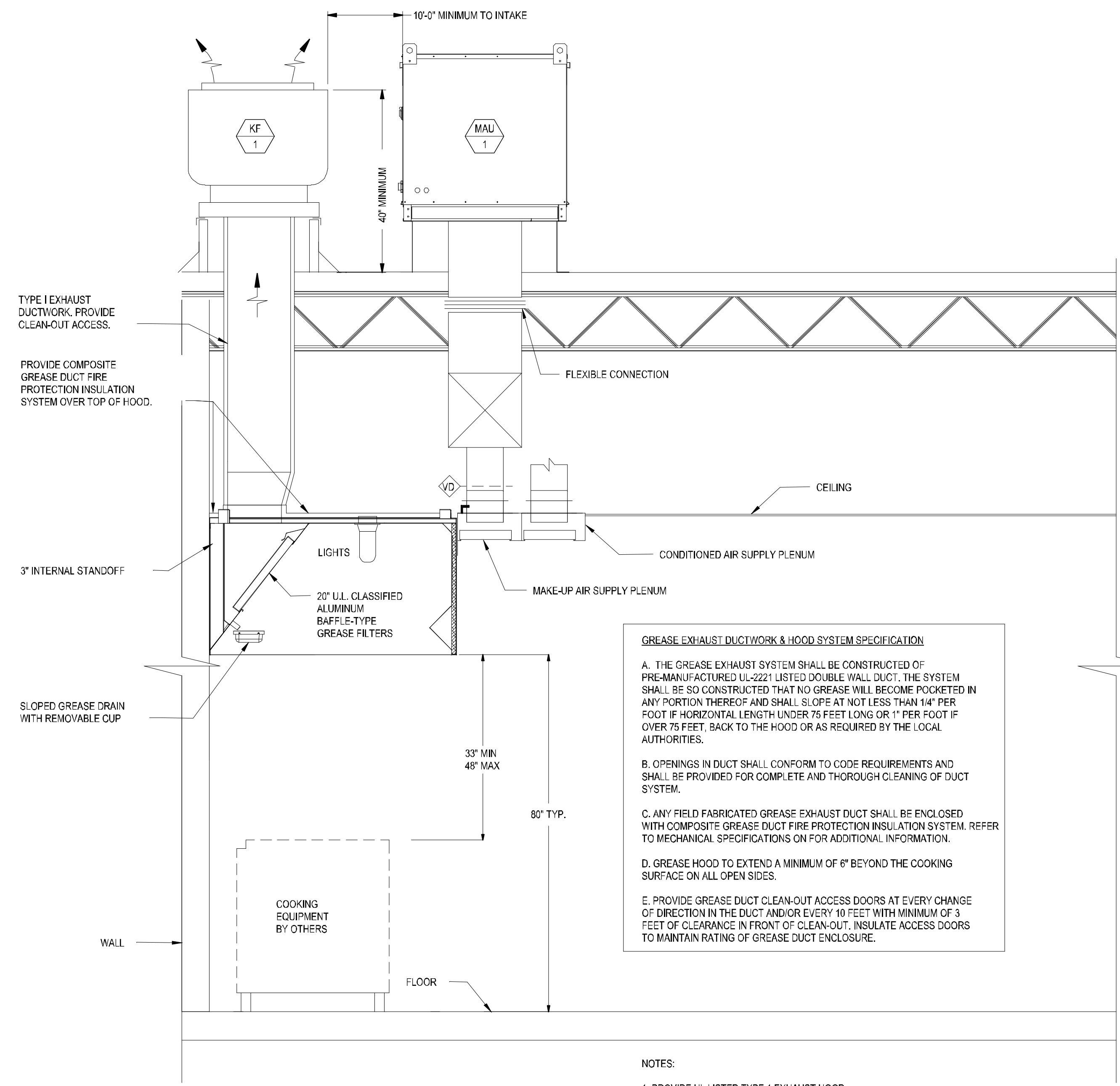
13 ROOF MOUNTED GREASE EXHAUST FAN DETAIL
SCALE: N.T.S.



1 TYPICAL HOOD CLIP AT WALL
SCALE: N.T.S.



2 TYPICAL HOOD SUPPORT AT TRUSS
SCALE: N.T.S.



GREASE EXHAUST DUCTWORK & HOOD SYSTEM SPECIFICATION

A. THE GREASE EXHAUST SYSTEM SHALL BE CONSTRUCTED OF PRE-MANUFACTURED UL-2221 LISTED DOUBLE WALL DUCT. THE SYSTEM SHALL BE SO CONSTRUCTED THAT NO GREASE WILL BECOME POCKETED IN ANY PORTION THEREOF AND SHALL SLOPE AT NOT LESS THAN 1/4\"/>

B. OPENINGS IN DUCT SHALL CONFORM TO CODE REQUIREMENTS AND SHALL BE PROVIDED FOR COMPLETE AND THOROUGH CLEANING OF DUCT SYSTEM.

C. ANY FIELD FABRICATED GREASE EXHAUST DUCT SHALL BE ENCLOSED WITH COMPOSITE GREASE DUCT FIRE PROTECTION INSULATION SYSTEM. REFER TO MECHANICAL SPECIFICATIONS ON FOR ADDITIONAL INFORMATION.

D. GREASE HOOD TO EXTEND A MINIMUM OF 6\"/>

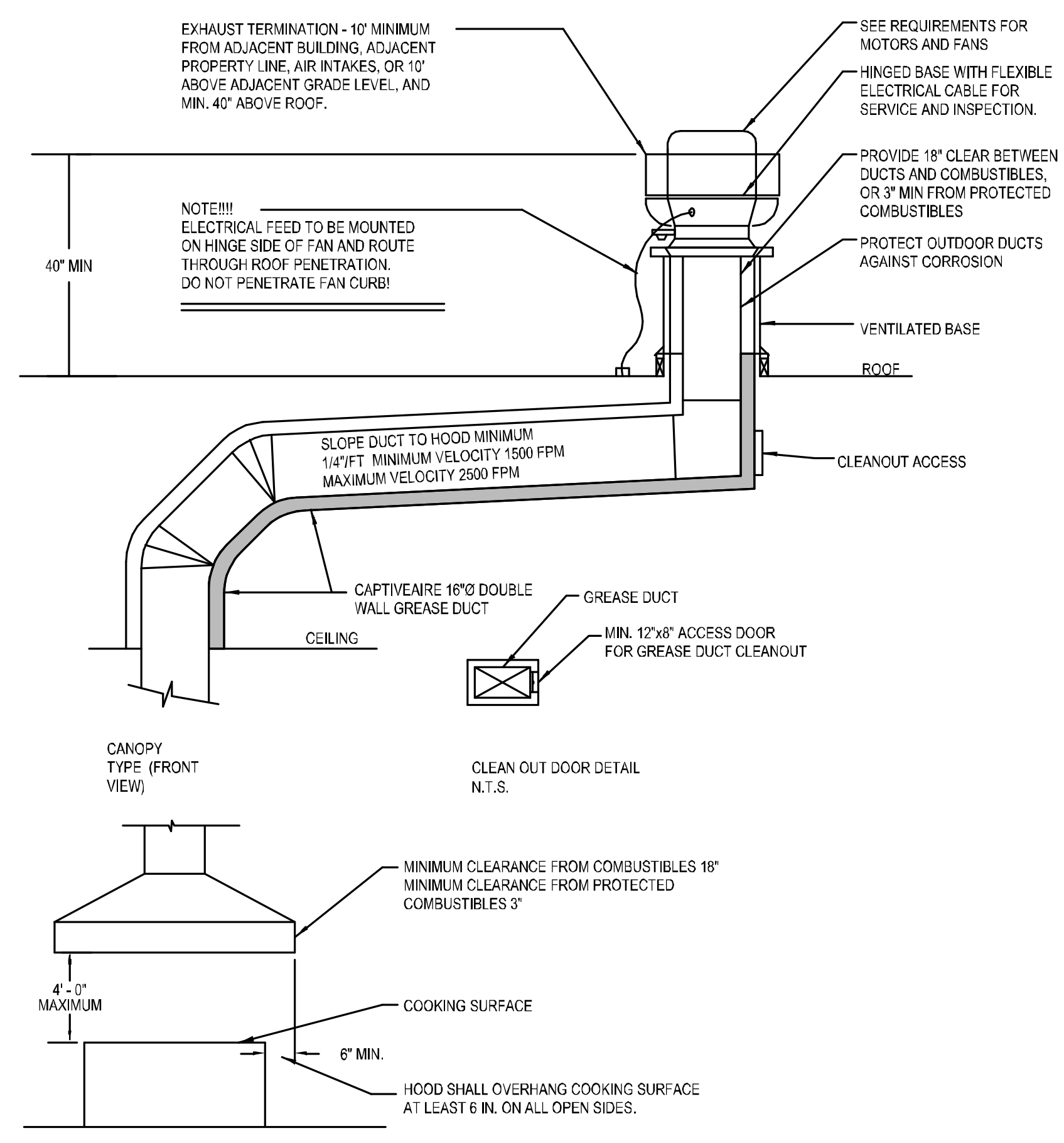
E. PROVIDE GREASE DUCT CLEAN-OUT ACCESS DOORS AT EVERY CHANGE OF DIRECTION IN THE DUCT AND/OR EVERY 10 FEET WITH MINIMUM OF 3 FEET OF CLEARANCE IN FRONT OF CLEAN-OUT. INSULATE ACCESS DOORS TO MAINTAIN RATING OF GREASE DUCT ENCLOSURE.

- NOTES:**
1. PROVIDE UL LISTED TYPE 1 EXHAUST HOOD.
 2. THE GREASE HOOD SHALL MEET THE REQUIREMENTS OF THE MECHANICAL CODE, NSF AND NFPA FOR A TYPE I HOOD.
 3. FIRE DEPARTMENT APPROVAL SHALL BE REQUIRED ON FIRE PROTECTION SYSTEM FOR GREASE HOODS AND DUCTS AS REQUIRED BY THE MECHANICAL CODE AND AS REQUIRED BY THE FIRE CODE.
 4. PROVIDE CHEMICAL FIRE SUPPRESSION SYSTEM AS REQUIRED BY NFPA 17A.
 5. PERFORM SMOKE TEST ON GREASE EXHAUST DUCTWORK AFTER DUCTWORK INSTALLATION IS COMPLETE BUT PRIOR TO DUCTWORK CONCEALMENT PER REQUIREMENTS OF LOCAL CODE AUTHORITIES.

3 KITCHEN HOOD SCHEMATIC
SCALE: N.T.S.

- INFORMATIONAL GUIDE FOR COMMERCIAL COOKING HOODS**
1. STAINLESS STEEL TO BE NO. 18 U.S. GAGE.
 2. WHEN GUTTERS ARE PROVIDED THEY SHALL DRAIN TO A COLLECTING PAN WHICH IS READILY ACCESSIBLE FOR CLEANING.
 3. SEE TABLE 507.2.8 FOR MINIMUM DISTANCE BETWEEN LOWER EDGE OF GREASE FILTER AND THE COOKING OR HEATING SURFACE.
 4. GREASE FILTERS SHALL BE OF STEEL CONSTRUCTION AND READILY ACCESSIBLE FOR CLEANING.
 5. ALL JOINTS AND SEAMS SHALL BE GREASE TIGHT.
 6. HOODS SHALL BE SECURELY FASTENED IN PLACE BY INCOMBUSTIBLE SUPPORTS.

- NOTES**
1. PROVIDE ADEQUATE CLEANOUT OPENINGS FOR THOROUGH CLEANING OF DUCT SYSTEM.
 2. PROVIDE ADEQUATE MAKE-UP AIR FOR PROPER OPERATION.
 3. PROVIDE A SEPARATE DUCT SYSTEM FOR EACH HOOD.
 4. THICKNESS OF DUCTS SHALL BE:
- | DUCT AREA | U.S. GAGE STEEL |
|-----------------|-----------------|
| UP TO 4 SQ. FT. | 16 GA |
| OVER 4 SQ. FT. | 14 GA |
5. SUPPORT THE DUCTS AS REQUIRED. DO NOT PENETRATE DUCT WALLS WITH SCREWS, NAILS, ETC.
 6. SECTIONS OF DUCT SHALL NOT CONTAIN GREASE POCKETS.



4 TYPICAL HOOD VENTILATION AND SECTION
SCALE: N.T.S.

CAVA #010518 INDIANAPOLIS IN - IUPUI
801 W. 10TH STREET
INDIANAPOLIS, IN 46202
FOR CAVA
14 Ridge Square NW #500, WASHINGTON, DC 20016

AOR PROJECT NUMBER:
CAV054

ISSUE	DATE
SD SET	07/12/2024
PERMIT SET	08/23/2024
IFC SET	12/20/2024

MECHANICAL DETAILS

SHEET:

M402

AIR BALANCE SCHEDULE

	RTU-1 (KITCHEN)	RTU-2 (DINING)	MAU-1	KF-1	CEF-1 (WOMEN'S)	CEF-2 (MEN'S)	TOTAL
OUTSIDE AIR FLOW (CFM)	425	800	2163	0	0	0	3188
RETURN AIR FLOW (CFM)	3,075	2,400	0	0	0	0	5475
SUPPLY AIR FLOW (CFM)	3,500	3,000	2163	0	0	0	8663
EXHAUST AIR FLOW (CFM)	0	0	0	2806	125	125	2856
BUILDING PRESSURE (CFM)	425	800	2163	-2806	-125	-125	332
RESULTING BUILDING PRESSURIZATION (CFM)							332

HEATED AIR CURTAIN SCHEDULE

MARK	AREA SERVED	MANUFACTURER	MODEL	UNIT SPECS				ELECTRICAL			WEIGHT (LBS)	NOTES	
				LENGTH (IN)	MAX AIRFLOW (CFM)	HEATING CAPACITY (KW)	FAN QUANTITY	MOTOR HP	V/PH/Hz	MCA			MOCP
AC-1	ENTRY	BERNER	AE08-E-1072EB	72	1,978	8.0	1.0	0.2	208/1/60	41.0	60	100	ALL
AC-2	ENTRY	BERNER	AE08-E-1038EB	36	904	5.6	1.0	0.2	208/1/60	28.4	40	57	ALL

REMARKS:
 1. EQUIPMENT PROVIDED BY MC.
 2. PROVIDE UNITS WITH MOUNTING BRACKET, FILTER, INTEGRAL STARTER AND DISCONNECT SWITCH.
 3. MOUNT UNIT PER MANUFACTURER'S RECOMMENDATIONS.
 4. INTERLOCK AIR CURTAIN WITH DOOR/WINDOW LIMIT SWITCH TO ENERGIZE WHEN THE DOOR/WINDOW OPENS.
 5. PROVIDE AIR CURTAIN WITH MAGNETIC NORMALLY CLOSED DOOR LIMIT SWITCH FOR INSTALLATION ON DOOR. PROVIDE 2 DOOR SWITCHES, ONE FOR EACH DOOR, AND NECESSARY RELAYS AS NEEDED WHEN 2 DOORS ARE PRESENT.
 6. PROVIDE WITH INTEGRAL THERMOSTAT AND CONTROLLER. ADJUST CONTROL SET-UP WITH AIR CURTAIN USER MANUAL.
 7. PROVIDE WITH TIME DELAY MICROSWITCH WITH ADJUSTABLE DELAY TIMERS PRE MOUNTED IN THE AIR CURTAIN CONTROL PANEL.
 8. PROVIDE WITH POWDER COATED FINISH COLOR AS SELECTED BY THE ARCHITECT.
 9. AIR CURTAIN WITH INTEGRAL HEATING SHALL BE PROVIDED WITH CONTROLS CONFIGURED TO SHUT OFF THE SOURCE OF HEATING WHEN THE OA TEMPERATURE IS GREATER THAN 45°F.

EXHAUST FAN SCHEDULE

ITEM TAG	TYPE	DRIVE	PERFORMANCE		ELECTRICAL		APPROX. WEIGHT (LBS)	SERVICE LOCATION	MANUFACTURER	OPERATION	MODEL	REMARKS
			AIR FLOW (CFM)	EXT. STATIC (IN W.C.)	V/PH/Hz	FAN MOTOR WATTS						
CEF-1	CEILING MOUNTED	DIRECT	125	0.3	120/1/60	83	25	WOMENS RR 109	GREENHECK	REMARK 1	SP-A250	2-5
CEF-2	CEILING MOUNTED	DIRECT	125	0.3	120/1/60	83	25	MENS RR 110	GREENHECK	REMARK 1	SP-A250	2-5

REMARKS:
 1. FAN SHALL OPERATE ON RESTROOM OCCUPANCY SENSOR. FAN SHALL TURN OFF 1 MINUTE AFTER RESTROOM IS UNOCCUPIED. ELECTRICAL CONTRACTOR TO WIRE.
 2. PROVIDE BACKDRAFT DAMPER ON EXHAUST FAN.
 3. PROVIDE DISCONNECT SWITCH AND VIBRATION ISOLATION.
 4. PROVIDE MANUFACTURER'S OPTIONAL SPEED CONTROLLER. SPEED CONTROLLER SHALL BE MOUNTED WITHIN FAN HOUSING.
 5. EQUIPMENT PROVIDED BY MC.

KITCHEN HOOD SCHEDULE - OWNER FURNISH

ITEM TAG	MANUFACTURER	MODEL	HOOD LENGTH	MAX COOKING TEMP (°F)	TOTAL EXHAUST CFM	LIGHTS		MISC.		REMARKS
						QTY.	TYPE	FIRE SUPP. SYSTEM	HANGING WEIGHT (LB)	
HOOD-1	ECON-AIR	6030 EX-2-ACSP-F	11'-7"	800	2806	6	L65 SERIES E26	YES	1220	ALL

REMARKS:
 1. REFER TO KES AND ECON-AIR DRAWINGS FOR ACCESSORY INFORMATION.

KITCHEN EXHAUST FAN SCHEDULE - OWNER FURNISH

ITEM TAG	MANUFACTURER	MODEL	TYPE	AIR FLOW (CFM)	EXTERNAL STATIC (IN W.C.)	ELECTRICAL		SERVICE	WEIGHT (LBS)	REMARKS
						V/PH/Hz	FAN MOTOR HP			
KF-1	ECON-AIR	EADU85H	UTILITY SET	2806	1	115/1/60	1	KITCHEN HOOD	94	ALL

REMARKS:
 1. PROVIDE WITH MANUFACTURER RECOMMENDED 2" ROOF CURB.
 2. FAN SHALL BE INTERLOCKED WITH HOOD CONTROLS. REFER TO ECON-AIR DRAWINGS FOR ADDITIONAL INFORMATION.
 3. PROVIDE FAN WITH ENVIRONMENTAL VIBROGUARD HOOD EXHAUST FAN ROOFTOP CONTAINMENT SYSTEM.

MAKE-UP AIR UNIT SCHEDULE - OWNER FURNISH

ITEM TAG	MANUFACTURER	MODEL	CONFIGURATION	DRIVE	AIR FLOW (CFM)	EXTERNAL STATIC (IN W.C.)	DX COOLING				GAS HEATING			ELECTRICAL			WEIGHT (LB)	REMARKS	
							TOTAL (MBH)	SENSIBLE (MBH)	IEER	ISMRE	INPUT (MBH)	OUTPUT (MBH)	BURNER EFF.	V/PH/Hz	HP	MCA			MOCP
MAU-1	ECON-AIR	EARTU14.200-15-ST-MPU	ROOF MOUNTED	DIRECT	2163	1.0	65.7	56.7	17.9	6.1	149.5	121.1	81%	208/3/60	3	32.6	40	1185	ALL

REMARKS:
 1. INVERTER SCROLL COMPRESSOR WITH INTEGRATED OIL SENSOR. DIGITAL OR STAGED SCROLL NOT AN APPROVED EQUAL.
 2. DIRECT DRIVE PLENUM BLOWER. BELT DRIVEN BLOWERS ARE NOT ACCEPTABLE.
 3. INTEGRATED MONITORING VIA CELLULAR CONNECTION BY MANUFACTURER.
 4. REFRIGERATION PRESSURE MONITORING ON HIGH AND LOW PRESSURE SIDE OF SYSTEM INCLUDED THROUGH DIGITAL INTERFACE.
 5. EC MOTOR CONDENSING FANS.
 6. ELECTRONIC EXPANSION VALVE. TXV NOT ACCEPTABLE.
 7. SUCTION LINE ACCUMULATOR.
 8. FACTORY COMMISSIONING WITH 5 YEAR PARTS WARRANTY. 25 YEAR WARRANTY ON STAINLESS STEEL HEAT EXCHANGER.
 9. AVERAGING INTAKE, EVAP AND DISCHARGE TEMPERATURE SENSORS (DISCHARGE SENSOR TO BE FACTORY MOUNTED WITHIN UNIT).
 10. 81% EFFICIENT FURNACE, WITH MODULATING INDUCER TO MAINTAIN CONSTANT COMBUSTION EFFICIENCY ACROSS FIRING RANGE. 6:1 TURNDOWN WITH NG AND 5:1 TURNDOWN WITH LP.
 11. SUPPLY CFM MONITORING INTEGRAL TO UNIT WITH CFM MEASUREMENT INCLUDED THROUGH DIGITAL INTERFACE.
 12. FULLY MODULATING HOT GAS REHEAT.
 13. 1" EXTERIOR DUAL-WALL CONSTRUCTION W/ R-4.3 INSULATION-MINIMUM 24GA EXTERIOR W/ 18GA BASE.
 14. DOWN DISCHARGE NO RETURN.
 15. PROVIDE 20" HIGH MANUFACTURER RECOMMENDED ROOF CURB.
 16. REFER TO ECON-AIR DRAWINGS FOR ADDITIONAL INFORMATION.

VENTILATION SCHEDULE

ROOM NUMBER	ROOM NAME	OCCUPANCY CLASSIFICATION	ZONE FLOOR AREA	ZONE POPULATION	2014 INDIANA MECHANICAL CODE				ACTUAL				EQUIPMENT		
					PEOPLE OUTDOOR AIR RATE	AREA OUTDOOR AIR RATE	BREATHING ZONE OUTDOOR AIRFLOW	Ez	REQUIRED OUTDOOR AIRFLOW	E.A. CFM	MAX SUPPLY CFM	OA CFM	EXHAUST CFM	SUPPLY FAN	EXHAUST FAN
101	DINING	DINING	545	38	7.5	0.18	384	0.8	-	2200	-	-	RTU-2	-	
102	QUEUEING	CORRIDOR	165	0	0.0	0.06	10	0.8	498	500	580	-	RTU-2	-	
108	HALL	CORRIDOR	70	0	0.0	0.06	4	0.8	-	200	-	-	RTU-2	-	
109	WOMEN'S RESTROOM	PUBLIC BATHROOM	55	1	0.0	0.00	0	0.8	0	70	50	10	125.0	RTU-2	CEF-1
110	MEN'S RESTROOM	PUBLIC BATHROOM	50	1	0.0	0.00	0	0.8	0	70	50	10	125.0	RTU-2	CEF-2
104	FRONT KITCHEN	KITCHEN (COOKING)	590	12	7.5	0.12	159	0.8	199	413	2300	276	2806.0	RTU-1	KF-1
106	BACK KITCHEN	KITCHEN (NO COOKING)	425	4	7.5	0.12	81	0.8	101	0	1200	144	-	RTU-1	KF-1
TOTAL			1900	56	-	-	639	0.8	798	553	6500	1020	2856	-	-

PACKAGED GAS HEATING / ELECTRIC COOLING ROOFTOP UNIT SCHEDULE - OWNER FURNISHED

TAG	MANUFACTURER	MODEL #	AREA SERVED	TONS	EER/SEER2/IEER	BLOWER SECTION				COOLING CAPACITY		HEATING CAPACITY			ELECTRICAL DATA			UNIT WEIGHT (LBS)	REMARKS	
						CFM	OA CFM	ESP (IN. W.C.)	FAN BHP	REFRIG. TYPE	GROSS (MBH)	INPUT (MBH)	OUTPUT (MBH)	AFUE (%)	VOLTAGE	MCA	MOCP			FILTER
RTU-1	CARRIER	48FCDN12	KITCHEN	10	11.0/15	3,500	425	1.00	2.17	REMARK 4	118	120/180	98/148	82	208/3/60	57	60	MERV 8	1,400	1-15
RTU-2	CARRIER	48FCDN09	DINING	8.5	11.2/15	3,000	800	1.00	2.17	REMARK 4	96	120/180	98/148	82	208/3/60	44	50	MERV 8	1,400	1-14,16

REMARKS:
 1. PROVIDE FACTORY MOUNTED AND WIRED DISCONNECT SWITCH, UN-POWERED CONVENIENCE OUTLET, AND THRU THE BASE ELECTRICAL/GAS.
 2. PROVIDE 100% OUTSIDE AIR ECONOMIZER WITH ELECTROMECHANICAL CONTROLS. FURNISH WITH CONTROL SENSORS TO BE FIELD INSTALLED.
 3. PROVIDE FACTORY MOUNTED POWER EXHAUST.
 4. REFRIGERANT UTILIZED BY THE UNIT SHALL BE R410A FOR INSTALLATION PRIOR TO 2025. OTHERWISE, PROVIDE A UNIT THAT USES REFRIGERANT WITH A GWP OF 700 OR LESS TO MEET EPA REFRIGERANT REGULATIONS.
 5. FURNISH WITH HAIL GUARD TO BE FIELD INSTALLED.
 6. PROVIDE 5 MINUTE TIME DELAY ON COMPRESSOR RESTART.
 7. PROVIDE WITH MOTORIZED OA DAMPER SET TO MINIMUM POSITION DURING OPERATION HOURS AND SHUT-OFF DURING OFF HOURS.
 8. FURNISH WITH MANUFACTURER RECOMMENDED TEMPERATURE AND HUMIDITY SENSOR PER PLAN.
 9. PROVIDE WITH TWO STAGES OF HEATING.
 10. PROVIDE WITH ECO BLUE FAN. FAN TO BE DIRECT DRIVE VANE AXIAL 2-SPEED FAN TO MEET IECC REQUIREMENTS.
 11. PROVIDE WITH SINGLE CIRCUIT, 2-STAGE COOLING TO MEET IECC REQUIREMENTS.
 12. PROVIDE STANDARD CARRIER WARRANTY: 1 YEAR PARTS, 5 YEAR COMPRESSOR PARTS, AND 10 YEAR HEAT EXCHANGER.
 13. PROVIDE WITH CARRIER'S FACTORY-INSTALLED HUMIDIFIER ADAPTIVE DEHUMIDIFICATION SYSTEM.
 14. PROVIDE HINGED ACCESS DOORS.
 15. PROVIDE WITH ADAPTIVE CURB, EXACT DIMENSIONS TO BE FIELD VERIFIED.
 16. PROVIDE WITH FACTORY FABRICATED ROOF CURB.

AIR DEVICE SCHEDULE

TAG	TYPE	MAKE / MODEL	AIR STREAM	MOUNTING TYPE	NECK SIZE	SIZE	REMARKS
A	SQUARE CONE DIFFUSER	TITUS / PAS	SUPPLY	LAY IN	SEE PLAN	24"X24"	3,4,8
B	SQUARE CONE DIFFUSER	TITUS / OMNI	SUPPLY	SURFACE	SEE PLAN	12"X12"	1-4,8
C	LOUVERED RETURN GRILLE	TITUS / 350RL	RETURN	SURFACE	SEE PLAN	24"X24"	1-4
D	LINEAR DIFFUSER	TITUS / FL-25	SUPPLY	SURFACE	SEE PLAN	48"X5.75"	2,3,5,7
E	DOUBLE DEFLECTION SUPPLY GRILLE	TITUS / S300FS	SUPPLY	DUCT MOUNTED	SEE PLAN	18"X9"	3,6
F	LOUVERED RETURN GRILLE	TITUS / 350RL	RETURN	SEE PLAN	47"X24"	44"X26"	1-4

REMARKS:
 1. PROVIDE WITH INTEGRAL OPPOSED BLADE BALANCING DAMPER FOR DIFFUSERS MOUNTED IN HARD-INACCESSIBLE CEILINGS, UNLESS NOTED OTHERWISE.
 2. PROVIDE WITH SURFACE MOUNTING FRAME WHERE APPLICABLE.
 3. COORDINATE FINISH AND LOCATION WITH ARCHITECT.
 4. SEE PLAN FOR INLET SIZE.
 5. 1 SLOT, 2.5" SLOT WIDTH, 10" DIA. INLET. PROVIDE WITH 1" INSULATED DIFFUSER PLENUM.
 6. PROVIDE WITH DOUBLE DEFLECTION CORE AND AN AIR SCOOP DAMPER AT NECK.
 7. PROVIDE DIFFUSER WITH REMOTE CABLE OPERATED BALANCING DAMPER.
 8. SUPPLY DIFFUSER TO BE INSULATED VIA FACTORY SYSTEM.

2/7/2025 9:34:38 AM

ferris+sloane

100 N. Howard Street, Suite 450, Spokane, WA 99201

CAVA

CAVA #010518 INDIANAPOLIS IN - IUPUI

801 W. 10TH STREET
 INDIANAPOLIS, IN 46202

FOR CAVA

14 Ridge Square NW #500, WASHINGTON, DC 20016

AOR PROJECT NUMBER:
 CAV054

ISSUE DATE
 SD SET 07/12/2024
 PERMIT SET 08/23/2024
 IFC SET 12/20/2024

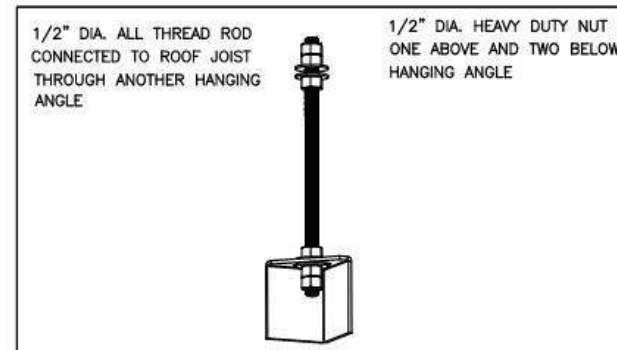
MECHANICAL SCHEDULES

SHEET:

M501



2800 15th Ave SE | Suite 113 | Bellevue, WA 98007
 T: 425.736.4100 | www.rtmec.com



*ROD AND NUTS TO BE SUPPLIED BY INSTALLING CONTRACTOR. HANGING ANGLE IS PRE-FUNCHED AT FACTORY.

HANGING ANGLE DETAILS			
HOOD STYLE / MODEL	450 DEGREES cfm/ft.	600 DEGREES cfm/ft.	700 DEGREES cfm/ft.
CANOPY ND-2	150	200	250
CANOPY ND-2 W/ END PANELS	105	140	175
SLOPED SNO-2	228	294	-
ISLAND ND-2W	269	300	350
ISLAND ND-2I	346	422	475

ETL HOOD LISTING DETAIL

EXHAUST CFM = LENGTH OF HOOD X CFM/INCH. (LOAD)
 SUPPLY CFM = EXHAUST CFM X PERCENTAGE REQUIRED
 TOTAL DUCT AREA (sq. in.) = 144 X $\frac{CFM}{FMQ}$
 DUCT LENGTH = $\frac{TOTAL DUCT AREA}{DUCT WIDTH}$

*CAPTIVEAIR VENTILATOR DUCT SIZES ARE CALCULATED USING AN EXHAUST VELOCITY OF 1000-1800 FPM AND A SUPPLY VELOCITY OF 1000 FPM.

CALCULATIONS UTILIZED

CAPTIVE-AIRE HOODS BUILT IN COMPLIANCE WITH:



UL 3054804-001 LISTED UNDER ETL File number 3054804-001/002

BUILDING CODES

CAPTIVE-AIRE HOODS HAVE OPTIONAL CLEARANCE REDUCTION SYSTEMS AVAILABLE AS FOLLOWS:

MATERIAL	CLEARANCE REDUCTION SYSTEM
NON-COMBUSTIBLE	NONE REQUIRED
LIMITED-COMBUSTIBLE	3" UNINSULATED STANDOFF
COMBUSTIBLE	1" INSULATED STANDOFF

CLEARANCE TO COMBUSTIBLES

INSTALLATION

- ALL ELECTRICAL "FIELD" CONNECTIONS AND RELATED INTERCONNECTIONS BY ELECTRICAL CONTRACTORS.
- ALL PLUMBING "FIELD" CONNECTIONS AND RELATED INTERCONNECTIONS BY PLUMBING CONTRACTORS.
- HANGING BRACKETS LOCATED AND RELIED AS SHOWN ON PLANS. ALL OTHER HANGER MATERIALS PROVIDED BY INSTALLING CONTRACTORS.
- ALL CONNECTIONS FROM CAPTIVEAIR HOOD PER MECHANICAL CONTRACTOR'S PLANS.
- COOKING EQUIPMENT TO SHUT OFF IN EVENT OF FIRE.
- EXHAUST FANS TO TURN ON IN EVENT OF FIRE.
- ALL LIGHT FIXTURES SHOWN INSTALLED BY CAPTIVEAIR ARE FACTORY PREWIRED. INTERCONNECTIONS BETWEEN HOODS AND TO SWITCHES ARE BY ELECTRICAL CONTRACTORS.
- LAMPS FOR LIGHT FIXTURES BY INSTALLING CONTRACTORS.
- SEISMIC RESTRAINTS ARE RESPONSIBILITY OF INSTALLING CONTRACTOR.
- INSTALLING CONTRACTORS ASSUME ALL RELATED RESPONSIBILITY FOR VERIFICATION OF DIMENSIONAL DATA CONTAINED ON THESE DOCUMENTS FOR ACCURACY, INTEGRATION, AND ADMINISTRATION OF CODE REQUIREMENTS IN EFFECT PRIOR TO ANY RELEASE FOR PRODUCTION OF EQUIPMENT SHOWN.

BALANCE

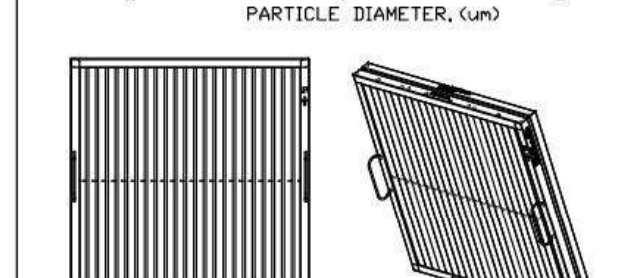
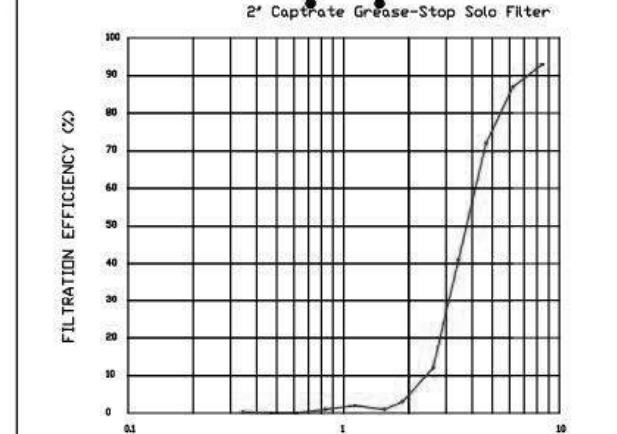
- KITCHEN HOODS MUST BE BALANCED WITH KITCHEN.
- KITCHEN SHALL BE NEGATIVE WITH RESPECT TO DINING AREA.
- RESTAURANT SHALL BE POSITIVE WITH RESPECT TO AMBIENT PRESSURE.

ADDITIONAL

- WRITTEN HOOD DIMENSIONS HAVE PRECEDENCE OVER SCALE.
- SIGNED AND "APPROVED" COPIES OF THIS DOCUMENT MUST BE RECEIVED BY THE FACTORY PRIOR TO COMMENCEMENT OF FABRICATION.

GENERAL NOTES

FILTER COLLECTION EFFICIENCY



CaptiveAir Grease-Stop Solo Filter
 ETL Listed Grease Extracting Filter
 Made From 430 Stainless Steel

FILTER DETAIL

FOR QUESTIONS, CALL THE
 Maryland Office
 REGION 32
 PHONE: (800) 988 - 0881
 EMAIL: reg32@econair.com

PATENT NUMBERS
 AC-PSP (UNITED STATES) - US PATENT 7963830 B2.
 AC-PSP WALL (CANADA) - CA PATENT 2820509.
 AC-PSP ISLAND (CANADA) - CA PATENT 2520330.

HOOD INFORMATION - JOB#6980491

HOOD NO	TAG	MODEL	MANUFACTURER	LENGTH	MAX COOKING TEMP	TYPE	APPLIANCE DUTY	DESIGN CFM/FT	TOTAL EXH CFM	EXHAUST PLENUM RISER(S)				MUA CFM	AC CFM	HOOD CONSTRUCTION	HOOD CONFIG				
										WIDTH	LENG	HEIGHT	DIA				CFM	VEL	SP	END TO END	ROW
1	33	6030 EX-2-ACPS-P-F	ECON-AIR	11' 7"	600 DEG	I	HEAVY	225	2606			4'	16'	2606	1866	-0.968'	2163	776	430 SS WHERE EXPOSED	ALDNE	ALDNE

HOOD INFORMATION

HOOD NO	TAG	TYPE	FILTER(S)				EFFICIENCY @ 7 MICRONS	QTY	LIGHT(S)			UTILITY CABINET(S)			FIRE SYSTEM PIPING	HOOD HANGING WEIGHT	
			QTY	HEIGHT	LENGTH	WIDTH			TYPE	WIRE GUARD	LOCATION	SIZE	FIRE SYSTEM TYPE	SIZE			ELECTRICAL MODEL #
1	33	CAPTRATE SOLD FILTER	B	20"	16"	85% SEE FILTER SPEC	6	L55 SERIES E26	NO	RIGHT	12"x60"x30"	TANK FS	4.0/4.0	DCV-1111	1 LIGHT 1 FAN	YES	1220 LBS

HOOD OPTIONS

HOOD NO	TAG	OPTION
1	33	FIELD WRAPPER 10.00' HIGH FRONT, RIGHT. LEFT END STANDOFF (FINISHED) 1' WIDE 60" LONG INSULATED. RIGHT VERTICAL END PANEL 27" TOP WIDTH, 21" BOTTOM WIDTH, 80" HIGH INSULATED 430 SS. LEFT WALL AS END PANEL.

CLEARANCE TO COMBUSTIBLES

HOODS #	SURFACE	*CLEARANCE
1	TOP	18"
	FRONT	0"
	BACK	18"
	LEFT	0"
	RIGHT	0"

- 30" CLEARANCE TO COMBUSTIBLES CONFORMS TO UL710 STANDARD.
 - HOOD MOUNTED UTILITY CABINETS REQUIRE 36" SERVICE CLEARANCE.

PERFORATED SUPPLY PLENUM(S)

HOOD NO	TAG	POS	LENGTH	WIDTH	HEIGHT	TYPE	RISER(S)			
							WIDTH	LENG	DIA	CFM
1	33	Front	152'	24'	6'	MJA	12"	28"	721	0.196"
							12"	28"	721	0.196"
							12"	28"	721	0.196"
							8"	24"	388	0.088"
							8"	24"	388	0.088"

GREASE DUCT & CHIMNEY SPECIFICATIONS:
 PROVIDE GREASE DUCT EQUAL TO ECON-AIR MODEL "EDW" ROUND 20 GAUGE 430 STAINLESS STEEL DUCTWORK. MODEL "EDW" IS LISTED TO UL-1978 AND IS INSTALLED USING "V" CLAMP LOCKING CONNECTIONS SEALED WITH 3M FIRE BARRIER 2000 PLUS. MODEL "EDW" DOES NOT REQUIRE WELDING PROVIDING IT HAS BEEN INSTALLED PER THE MANUFACTURERS INSTALLATION GUIDE.
 PROVIDE RATED ACCESS DOORS AT EVERY CHANGE IN DIRECTION AND EVERY 12' ON CENTER. PER MANUFACTURERS LISTING MODEL "EDW" HORIZONTAL RUNS LESS THAN 75 FT. CAN BE SLOPED 1/16" PER 12", HORIZONTAL RUNS MORE THAN 75 FT. CAN BE SLOPED 3/16" PER 12". DUCT SHOULD BE SLOPED AS MUCH AS POSSIBLE TO REDUCE THE CHANCE OF GREASE ACCUMULATION IN HORIZONTAL RUNS.

IF THE DUCT OR CHIMNEY IS WITHIN 18 INCHES OF COMBUSTIBLE MATERIAL, PROVIDE UL-2221 OR UL-103 HT LISTED DOUBLE WALL GREASE DUCT OR DOUBLE WALL CHIMNEY EQUAL TO ECON-AIR MODEL "EDW- 2R, 2R TYPE HT, 3R, OR 3Z" ROUND 20 GAUGE 430 STAINLESS INNER DUCT INSULATED WITH A 24 GAUGE 430 STAINLESS OUTER SHELL.

ECON-AIR RECOMMENDS THE USE OF LISTED, PRE-FABRICATED ROUND GREASE EXHAUST DUCT TO REDUCE STATIC PRESSURE IN THE SYSTEM, MINIMIZE INSTALLATION AND INSPECTION TIMES, AND ENSURE DUCT IS LIQUID TIGHT

VERIFY CEILING HEIGHT

HEIGHT REQUIRED TO VERIFY THAT HOOD FITS SPACE AND TO SIZE THE ENCLOSURE PANELS

CUSTOMER APPROVAL TO MANUFACTURE:

Approved as Noted
 Approved with NO Exception Taken
 Revise and Resubmit
 SIGNATURE _____
 Your Title _____ Date _____

HVAC DISTRIBUTION NOTE

IT IS RECOMMENDED NOT TO INSTALL HIGH VELOCITY DIFFUSERS OR HVAC RETURNS WITHIN TEN (10) FEET OF THE EXHAUST HOOD. PERFORATED DIFFUSERS ARE RECOMMENDED.

EXHAUST HOOD DETAILS

REVISIONS

NO.	DESCRIPTION	DATE

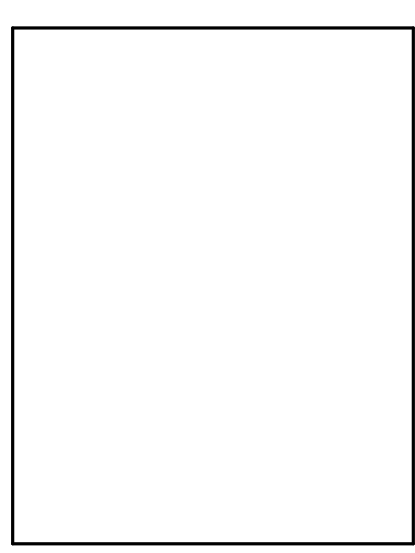
econ·air
 Maryland Office
 8120 Woodmont Avenue, Suite 720, Bethesda, MD, 20814
 PHONE: (800) 988-0881 FAX: (301) 922-7931 EMAIL: reg32@econair.com

Cava - Indianapolis, IN
 128 South Brook Drive,
 Leander, TX, 78641

DATE: 8/15/2024
 DWG.#: 6980491
 DRAWN BY: BT-32
 SCALE: 3/4" = 1'-0"
 MASTER DRAWING

SHEET NO. 1

ferris+sloane
 101 N. Howard Street, Suite 450, Spokane, WA 99201



CAVA

CAVA #010518 INDIANAPOLIS IN - IUPUI
 801 W. 10TH STREET
 INDIANAPOLIS, IN 46202
 FOR CAVA
 14 Ridge Square NW #500, WASHINGTON, DC 20016

AOR PROJECT NUMBER: CAV054

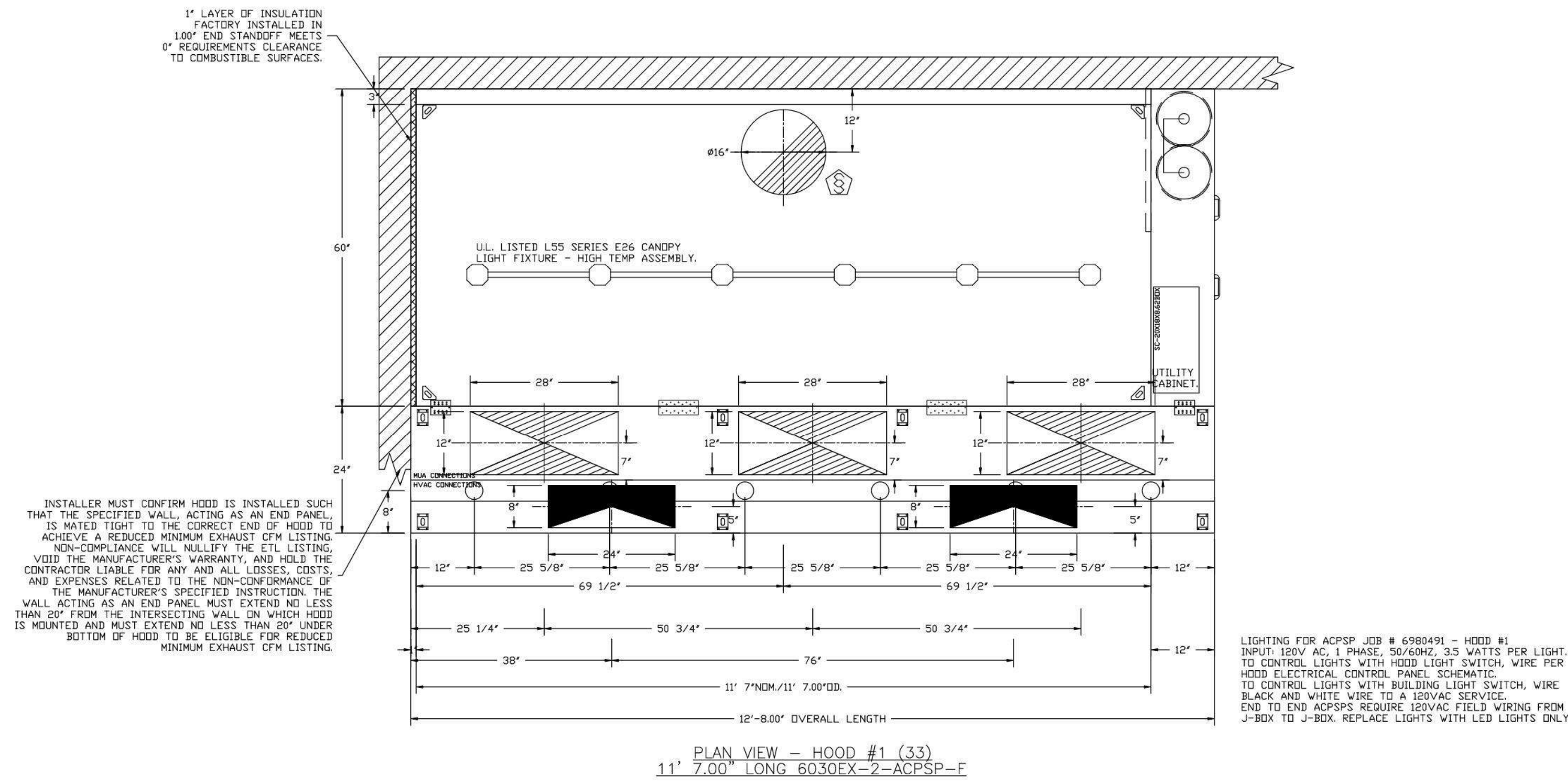
ISSUE	DATE
SD SET	07/12/2024
PERMIT SET	08/23/2024
IFC SET	12/20/2024

MECHANICAL HOOD DETAIL PLAN

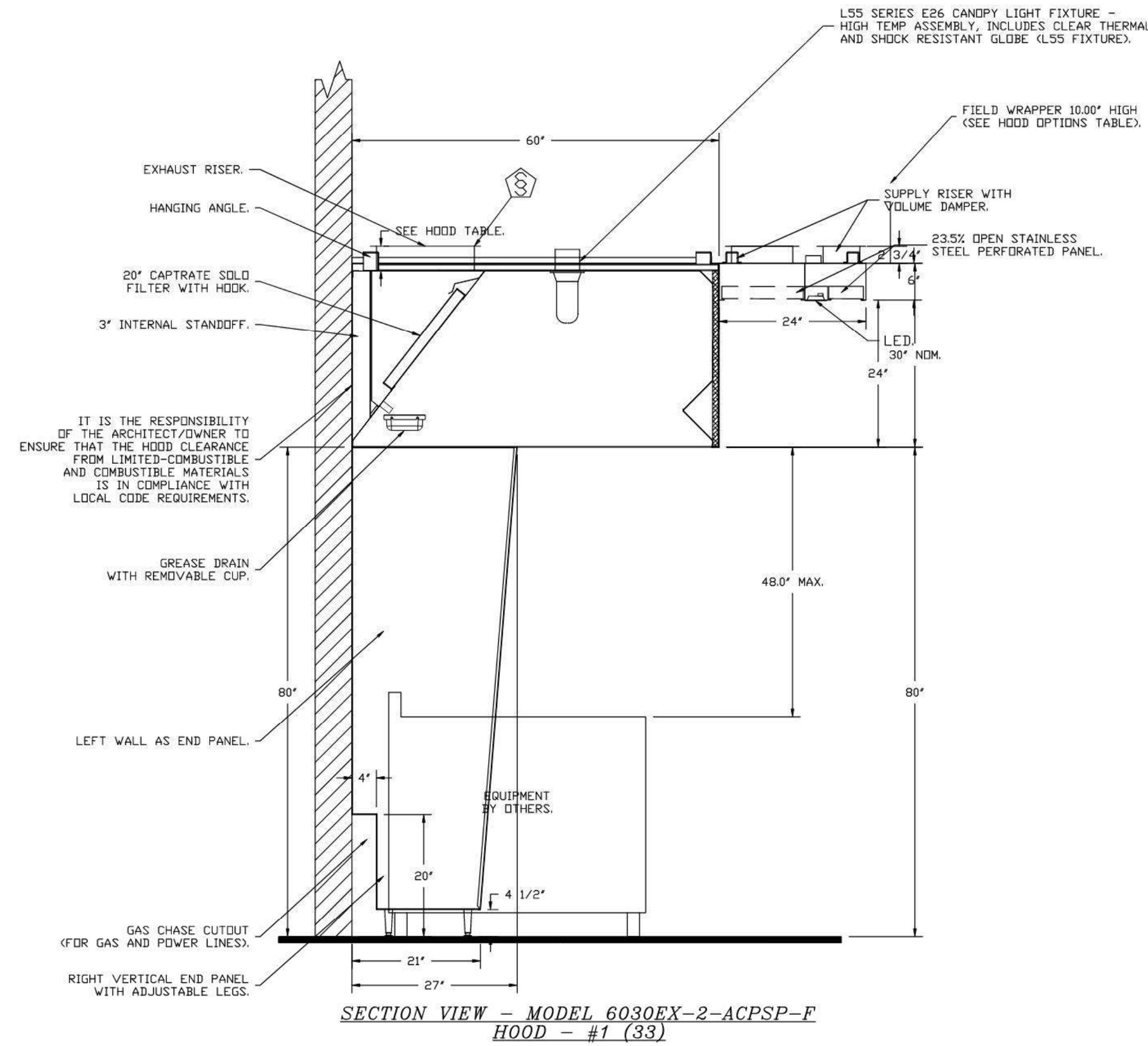
SHEET: **M601**



12/20/2024 9:18:05 AM



ACPSP SHIPS LOOSE FOR FIELD INSTALLATION



REVISIONS

DESCRIPTION	DATE

econ·air
www.econair.com

Maryland Office
8120 Woodmont Avenue, Suite 720, Bethesda, MD, 20814 PHONE: (800) 988-0881 FAX: 9192279931 EMAIL: reg32@econair.com

Cava - Indianapolis, IN
128 South Brook Drive,
Leander, TX, 78641

DATE: 8/15/2024
DWG.#: 6980491
DRAWN BY: BT-32
SCALE: 3/4" = 1'-0"
MASTER DRAWING

SHEET NO. 2



ferris+sloane

101 N. Howard Street, Suite 4563 Spokane, WA 99201

CAVA #010518 INDIANAPOLIS IN - IUPUI
801 W. 10TH STREET
INDIANAPOLIS, IN 46202
FOR CAVA
14 Ridge Square NW #500, WASHINGTON, DC 20016

MECHANICAL HOOD DETAIL
PLAN

SHEET: M602

FIRE SYSTEM INFORMATION - JOB#6980491

FIRE SYSTEM NO	TAG	TYPE	SIZE	MAX FP	DESIGN FP	INSTALLATION	
						SYSTEM	LOCATION ON HOOD
1		TANK FS	4.0/4.0	40	37	FIRE CABINET RIGHT	RIGHT, HOOD 1

NOTES

- FIELD PIPE DROPS AS SHOWN
- PIPING, ELBOWS, TEES, AND NOZZLES SUPPLIED BY CAS.
- FIELD INSTALLED DROP, FACTORY WILL PROVIDE QTY 2 60IN LONG PIECES OF CHROME PLATED PIPING SHIPPED LOOSE TO BE FIELD-INSTALLED.
- SHIP LOOSE DROP, FACTORY WILL PROVIDE THE EXACT CHROME PIPE LENGTH NEEDED SHIPPED LOOSE TO BE FIELD-INSTALLED.
- RELOCATE NOZZLES IF FLOW PATTERN IS BLOCKED BY SHELVING, SALAMANDERS, ETC.
- OVERLAPPING COVERAGE SHALL NOT BE USED ON ANY APPLIANCE WITH AN OBSTRUCTION.
- IF APPLICABLE, EXTENDED PRE-PIPED DROPS ARE SHIPPED LOOSE.
- FACTORY PIPING EXTENDS A MAXIMUM OF 6" ABOVE THE TOP OF THE HOOD.

- APPLIANCE DIMENSIONS LISTED REPRESENT THE COOKING SURFACE SIZE, NOT THE OVERALL APPLIANCE SIZE.
- THIS FIRE SYSTEM COMPLIES WITH U.L. 300 REQUIREMENTS.

- DL-F NOZZLE PART NUMBER REPLACES 3070-3/8H-10-SS

JOB #: 6980491.
JOB NAME: CAVA - INDIANAPOLIS, IN.

SYSTEM SIZE: TANK-SP-2 DESIGN FP: 37. MAXIMUM FP: 40.
HOOD # 1 11' 7.00" LONG x 60" WIDE x 30" HIGH.
RISER # 1 SIZE: 16" DIA.
HOOD # 1 METAL BLOW-OFF CAPS INCLUDED.

- HEAVY-DUTY APPLIANCES (RATED 600°F) WILL REQUIRE AN ADDITIONAL DOWNSTREAM FIRESTAT IN THE EVENT THAT THE DUCTWORK CONTAINS ANY HORIZONTAL RUNS OVER 25 FT IN LENGTH.
- MEDIUM TO LIGHT-DUTY APPLIANCES (RATED 450°F) WILL NOT REQUIRE ANY ADDITIONAL DOWNSTREAM DETECTION.

AGENT DISTRIBUTION PIPING LIMITATIONS	
PIPE SECTION	MAX PIPE LENGTH (FT)
MAX SUPPLY LINE TO FIRST OVERLAPPING NOZZLE	42
OVERLAPPING NOZZLE APPLIANCE BRANCH	10
DEDICATED NOZZLE APPLIANCE BRANCH	10

LEGEND - FIRE CABINET TANK SYSTEM

- 1 4 GALLON TANK.
- 2 PRIMARY ACTUATOR RELEASE.
- 3 SECONDARY ACTUATOR RELEASE.
- 4 PRESSURE SUPERVISION SWITCH.
- 5 PRIMARY HOSE ASSEMBLY.
- 6 SECONDARY HOSE ASSEMBLY.
- 7 REMOTE MANUAL ACTUATION DEVICE.

CUSTOMER APPROVAL TO MANUFACTURE:

Approved as Noted

Approved with NO Exception Taken

Revise and Resubmit

SIGNATURE _____

Your Title _____ Date _____

VERIFY MAKE/MODEL OF ALL COOKING APPLIANCES BENEATH HOOD PRIOR TO FABRICATION. CHANGES TO COOKING EQUIPMENT SPECIFICATION MAY RESULT IN ADDITIONAL FIRE SUPPRESSION SYSTEM INSTALLATION CHARGES.

SPECIFICATIONS

ELECTRIC WET CHEMICAL (CAS-EWC) SPECIFICATION

THE CORE ELECTRIC WET CHEMICAL (EWC) FIRE SUPPRESSION SYSTEM IS A HYBRID FIRE SUPPRESSION SYSTEM FOR USE IN COMMERCIAL KITCHENS.

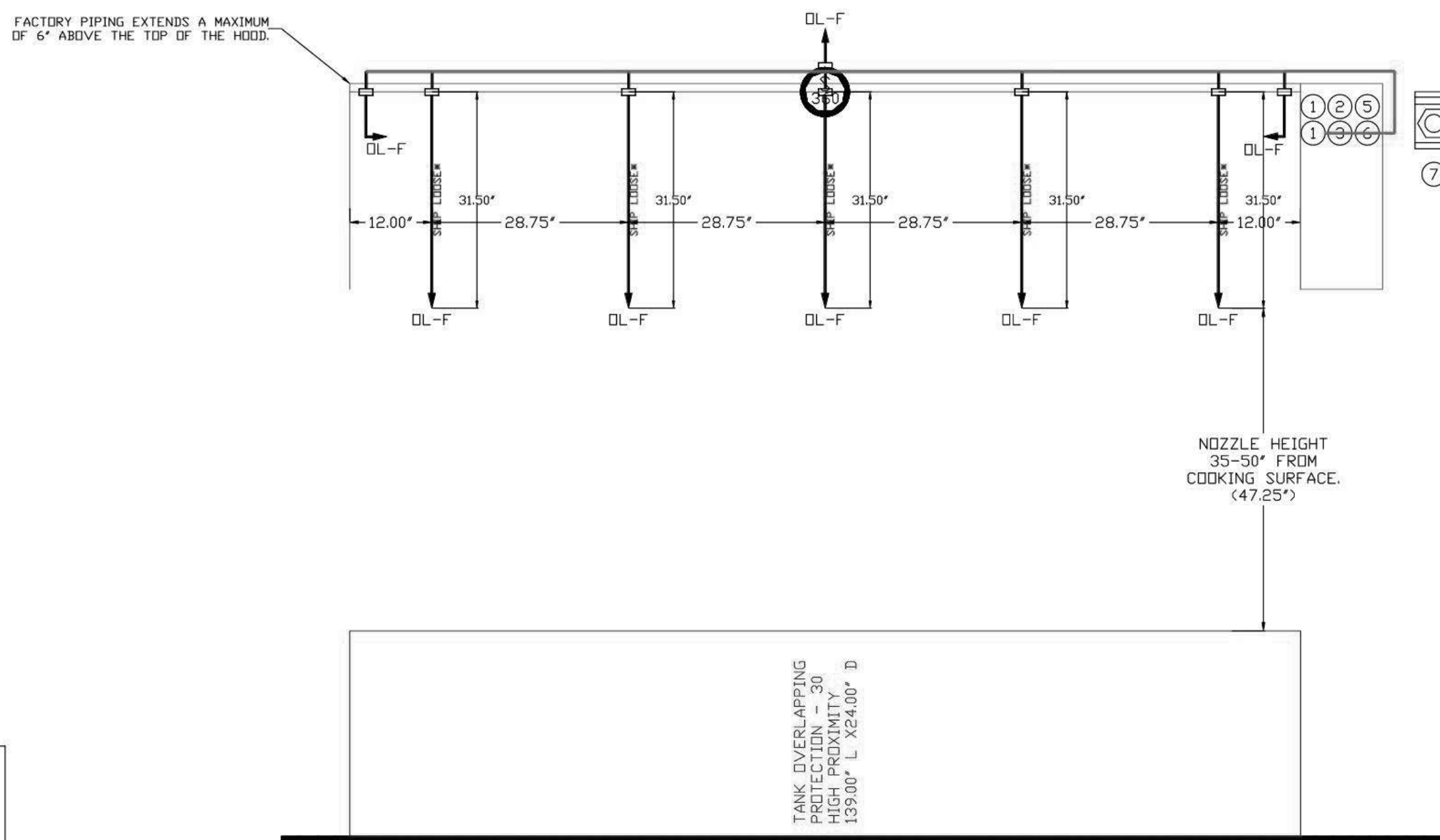
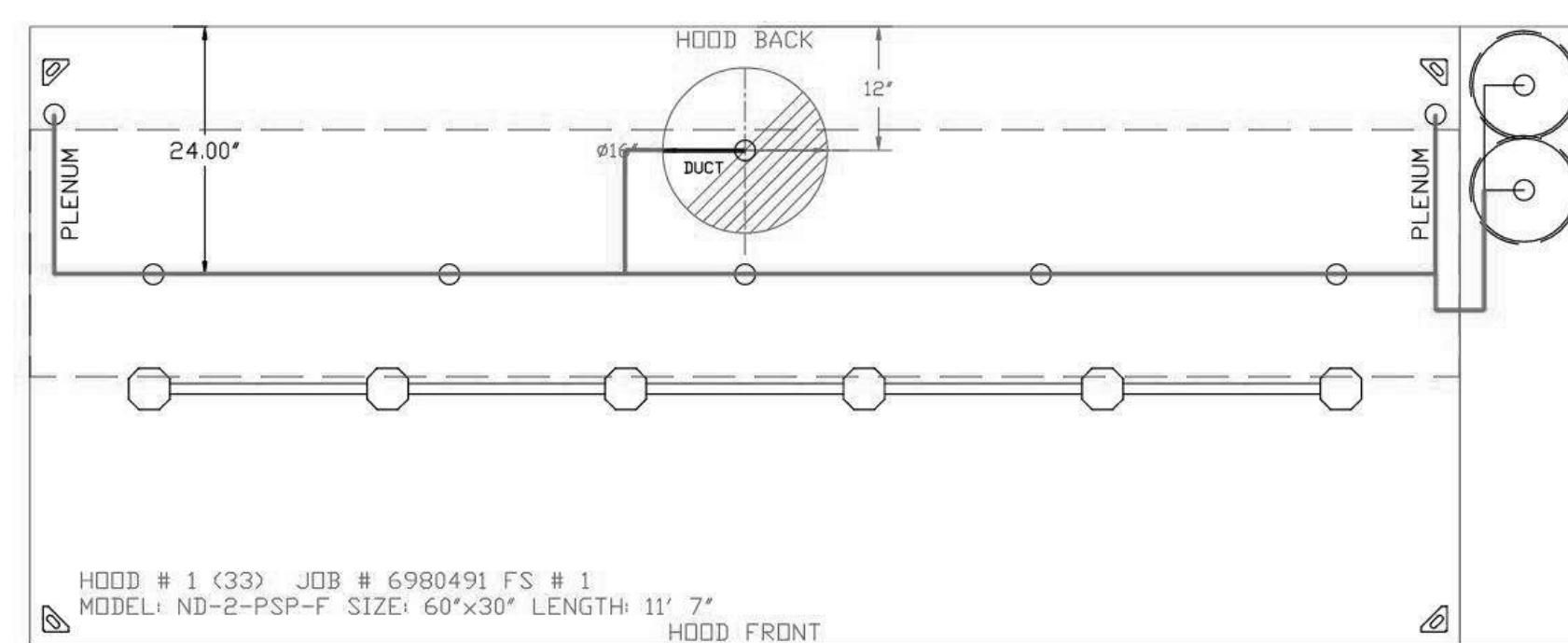
THE CORE EWC MICROPROCESSOR-BASED CONTROL BOARD, PCBCORE BOARD, IS ETL LISTED UNDER REPORT NUMBER 101196419NYM-001 TO THE UL STANDARD 864 AND CAN/ULC-S527-11. THE COREPCB IS DESIGNED TO CONTROL A 24VDC-BASED, LISTED UL 300 WET CHEMICAL RESTAURANT FIRE SUPPRESSION SYSTEM. THE COREPCB CONTROLS PROVIDE ALL NECESSARY MONITORING, TIMING AND SUPERVISION FUNCTIONS REQUIRED FOR THE RELIABLE OPERATION OF THE WET CHEMICAL FIRE SUPPRESSION SYSTEM. ALL DEVICES THAT ARE CRITICAL FOR PROPER OPERATION ARE SUPERVISED AND INCLUDE AN ELECTRIC THERMAL DETECTOR(S) AND MANUAL PULL STATION(S)/MANUAL ACTUATION DEVICE(S). THE COREPCB CONTROL BOARD ALSO SUPERVISES FAULTS WITHIN THE SYSTEM AND WILL ALERT THE USER OF SPECIFIC CONDITION.

THE SYSTEM IS CAPABLE OF AUTOMATIC DETECTION AND ACTIVATION AND/OR REMOTE MANUAL ACTIVATION. THE DETECTION PORTION OF THE FIRE SUPPRESSION SYSTEM ALLOWS FOR AUTOMATIC DETECTION BY MEANS OF AN ELECTRIC THERMAL DETECTOR(S) LOCATED IN THE HOOD DUCT CONNECTION(S). A PULL STATION/MANUAL ACTUATION DEVICE IS ALSO PROVIDED TO ALLOW FOR MANUAL ACTIVATION OF THE FIRE SYSTEM.

WITH THE ELECTRIC THERMAL DETECTION, A BATTERY BACKUP SYSTEM IS PROVIDED. THE BACKUP BATTERY SYSTEM POWERS THE COREPCB BOARD CONTROLS INCLUDING THE AUTOMATIC DETECTION, PULL STATION/MANUAL ACTUATION DEVICE CIRCUITS, AS WELL AS SUPERVISES THOSE DEVICES AND ANY AUXILIARY SUPERVISORY EQUIPMENT IN THE EVENT OF A LOSS OF POWER TO THE BUILDING.

UPON A FIRE CONDITION, THE ELECTRIC THERMAL DETECTOR CONTACTS WILL CLOSE AND SEND A SUPERVISED SIGNAL TO THE COREPCB BOARD. THE COREPCB BOARD THEN SENDS A SIGNAL TO THE 24VDC REGULATED RELEASE SOLENOID, WHICH WILL SIGNAL PRESSURIZED AGENT TAKES TO PROPEL THE WET CHEMICAL AGENT INTO THE DISTRIBUTION LINES TOWARDS THE DISCHARGE NOZZLES.

SYSTEM REQUIRES A MINIMUM OF 7 FT. OF EQUIVALENT PIPE LENGTH BETWEEN TANK AND NEAREST APPLIANCE NOZZLE FOR MOST APPLIANCES. EACH 90 DEGREE ELBOW ADDS 1.3 FT. OF EQUIVALENT LENGTH. SEE MANUAL FOR DETAILS.



REVISIONS

DESCRIPTION	DATE

econ·air
Maryland Office
8120 Woodmont Avenue, Suite 720, Bethesda, MD, 20814 PHONE: (800) 988-0881 FAX: 9192275931 EMAIL: reg32@econair.com

Cava - Indianapolis, IN
128 South Brook Drive,
Leander, TX, 78641

DATE: 8/15/2024

DWG.#: 6980491

DRAWN BY: BT-32

SCALE: 3/4" = 1'-0"

MASTER DRAWING

SHEET NO. 3

FIRE SUPPRESSION SYSTEM DETAILS

ferris+sloane
101 N. Howard Street, Suite 4503 Spokane, WA 99201

CAVA

CAVA #010518 INDIANAPOLIS IN - IUPUI
801 W. 10TH STREET
INDIANAPOLIS, IN 46202
FOR CAVA
14 Ridge Square NW #500, WASHINGTON, DC 20016

AOR PROJECT NUMBER: CAV054

ISSUE	DATE
SD SET	07/12/2024
PERMIT SET	08/23/2024
IFC SET	12/20/2024

MECHANICAL HOOD DETAIL PLAN

SHEET: **M603**



EXHAUST FAN INFORMATION - JOB#6980491

FAN UNIT NO	TAG	QTY	FAN UNIT MODEL #	MANUFACTURER	CFM	ESP	RPM	MOTOR ENCL	HP	BHP	PHASE	VOLT	FLA	DISCHARGE VELOCITY	WEIGHT (LBS)	SDNES
1	33B - KEF-1	1	EADUBSH	ECON-AIR	2606	1.000	1657	TEAD-ECM	1.000	0.8100	1	115	11.6	825 FPM	94	19.2

DOAS/RTU FAN SCHEDULE - JOB#6980491

FAN UNIT NO	TAG	QTY	DOAS/RTU MODEL #	MANUFACTURER	ELECTRICAL INFORMATION										COOLING INFORMATION						REHEAT INFORMATION				GAS HEAT INFORMATION											
					BLOWER	RETURN AIR CFM	MAX OUTSIDE AIR CFM	TOTAL CFM	WEIGHT (LBS)	ESP	HP	PHASE	VOLT	MCA	MDCP	OUTSIDE AIR DB	OUTSIDE AIR WB	MIXED AIR DB	MIXED AIR WB	LEAVING AIR DB	LEAVING AIR WB	DP	TOTAL CAPACITY	IEER	ISMRE	DISCHARGE DB	DISCHARGE WB	CAPACITY DESIRED	CAPACITY MAX	MOISTURE REMOVAL RATE	GAS TYPE	INPUT BTUs	OUTPUT BTUs	TEMP RISE	REQUIRED INPUT GAS PRESSURE	
2	33C - MUA-1	1	EARTU1-1200-15-ST-MPU	ECON-AIR	15P-1	0	2163	2163	1185	1.000	3.00	3	208	32.6A	40A	91.1°F	74.8°F	91.1°F	74.8°F	67.1°F	67.0°F	67.0°F	65.7 MBH	56.7 MBH	17.9	6.1	90.0°F	73.6°F	52.7 MBH	0.2 MBH	7.1 LBS/HR	NATURAL	149511	121104	47°F	7 IN. W.C. - 14 IN. W.C.

NOTES:

- INVERTER SCROLL COMPRESSOR WITH INTEGRATED OIL SENSOR. DIGITAL OR STAGED SCROLL NOT AN APPROVED EQUAL.
- DIRECT DRIVE PLENUM BLOWER. BELT DRIVEN BLOWERS ARE NOT ACCEPTABLE.
- INTEGRATED MONITORING VIA CELLULAR CONNECTION BY MANUFACTURER.
- REFRIGERATION PRESSURE MONITORING ON HIGH AND LOW PRESSURE SIDE OF SYSTEM INCLUDED THROUGH DIGITAL INTERFACE.
- EC MOTOR CONDENSING FANS.
- ELECTRONIC EXPANSION VALVE. TXV NOT ACCEPTABLE.
- SUCTION LINE ACCUMULATOR.
- FACTORY COMMISSIONING WITH 5 YEAR PARTS WARRANTY, 25 YEAR WARRANTY ON STAINLESS STEEL HEAT EXCHANGER.
- AVERAGING INTAKE, EVAP AND DISCHARGE TEMPERATURE SENSORS (DISCHARGE SENSOR TO BE FACTORY MOUNTED WITHIN UNIT).
- 81% EFFICIENT FURNACE, WITH MODULATING INDUCER TO MAINTAIN CONSTANT COMBUSTION EFFICIENCY ACROSS FIRING RANGE. 6:1 TURNDOWN WITH NG AND 5:1 TURNDOWN WITH LP.
- SUPPLY CFM MONITORING INTEGRAL TO UNIT WITH CFM MEASUREMENT INCLUDED THROUGH DIGITAL INTERFACE.
- FULLY MODULATING HOT GAS REHEAT.
- 1" EXTERIOR DUAL-WALL CONSTRUCTION W/ R-4.3 INSULATION-MINIMUM 24GA EXTERIOR W/ 18GA BASE.
- DOWN DISCHARGE/NO RETURN.

FAN OPTIONS

FAN UNIT NO	TAG	QTY	DESCRIPTION
1	33B - KEF-1	1	GREASE BOX
		1	ECM WIRING PACKAGE - PWM SIGNAL FROM ECPM03 PREWIRE (TELCO MOTOR), CCW ROTATION
		1	2 YEAR PARTS WARRANTY
		1	INLET PRESSURE GAUGE, 0-35"
		1	MANIFOLD PRESSURE GAUGE, 0 TO 10" WC, 1 FURNACE
		1	TOTAL CFM MONITORING
		1	INTAKE FIRESTAT SET TO 135°F
		1	FREEZESTAT
		1	DISCHARGE FIRESTAT SET TO 240°F
		1	SHIP LOOSE GAS STRAINER 3/4"
2	33C - MUA-1	1	CASLINK BUILDING MONITORING SYSTEM - INTERNET OR CELLULAR CONNECTION REQUIRED
		1	2" MERV 13 FILTERS FOR RTU1 (QTY. 4)
		1	2" MERV 8 FILTERS FOR RTU1 (QTY. 4)
		1	RTU1 DOWN DISCHARGE
		1	RTU1 CURB DUCT HANGER
		1	24VAC FIRE INPUT
		1	COMMERCIAL SMOKE DETECTOR/ALARM INTERLOCK - ALARM SUPPLIED BY OTHERS
		1	5 TON MODULATING COOLING OPTION, 208/230V, R410A REFRIGERANT, VARIABLE SPEED COMPRESSOR, DL ECM CONDENSING FAN
		1	RTU1 NO RETURN - 100% DA - MPU
		1	RTU FIXED 100% DA INTAKE CONTROL
1	33C - MUA-1	1	UNIT MOUNTED VFD CONFIGURED FOR DCV
		1	IBT ONLY REHEAT
		1	5 YEAR ENTIRE UNIT PARTS WARRANTY, 10 YEAR ENTIRE UNIT PARTS WARRANTY WITH REMOTE MONITORING AND CAPTIVEAIRE SERVICE CONTRACT, 25 YEAR STAINLESS STEEL FURNACE PARTS WARRANTY (SEE ADDITIONAL DETAILS)
		1	EXTERIOR GAS CONNECTION PROVIDED BY FACTORY WITH QUICK SEAL AND ANTI-ROTATION BRACKET

FAN ACCESSORIES

FAN UNIT NO	TAG	EXHAUST				SUPPLY			
		GREASE CUP	GRAVITY DAMPER	WALL MOUNT	SIDE DISCHARGE	GRAVITY DAMPER	MOTORIZED DAMPER	WALL MOUNT	
1	33B - KEF-1	YES							

CURB ASSEMBLIES

NO	ON FAN	TAG	WEIGHT	ITEM	SIZE
1	# 1	33B - KEF-1	44 LBS	CURB	23.000"W X 23.000"L X 26.000"H 0.250:12.000 PITCH ALONG LENGTH, RIGHT VENTED HINGED.
2	# 2	33C - MUA-1	103 LBS	CURB	41.000"W X 71.000"L X 20.000"H 0.250:12.000 PITCH ALONG WIDTH, RIGHT INSULATED.

HMI SCHEDULE				
UNIT NUMBER	HMI #	HMI LOCATION	TEMP AVERAGING	MODBUS ADDRESS
FAN #2	HMI #1 - UNIT	IN UNIT	NOT AVERAGED	55
FAN #2	HMI #2 - SPACE	KITCHEN	AVERAGED	56

CUSTOMER APPROVAL TO MANUFACTURE:

Approved as Noted

Approved with NO Exception Taken

Revise and Resubmit

SIGNATURE _____

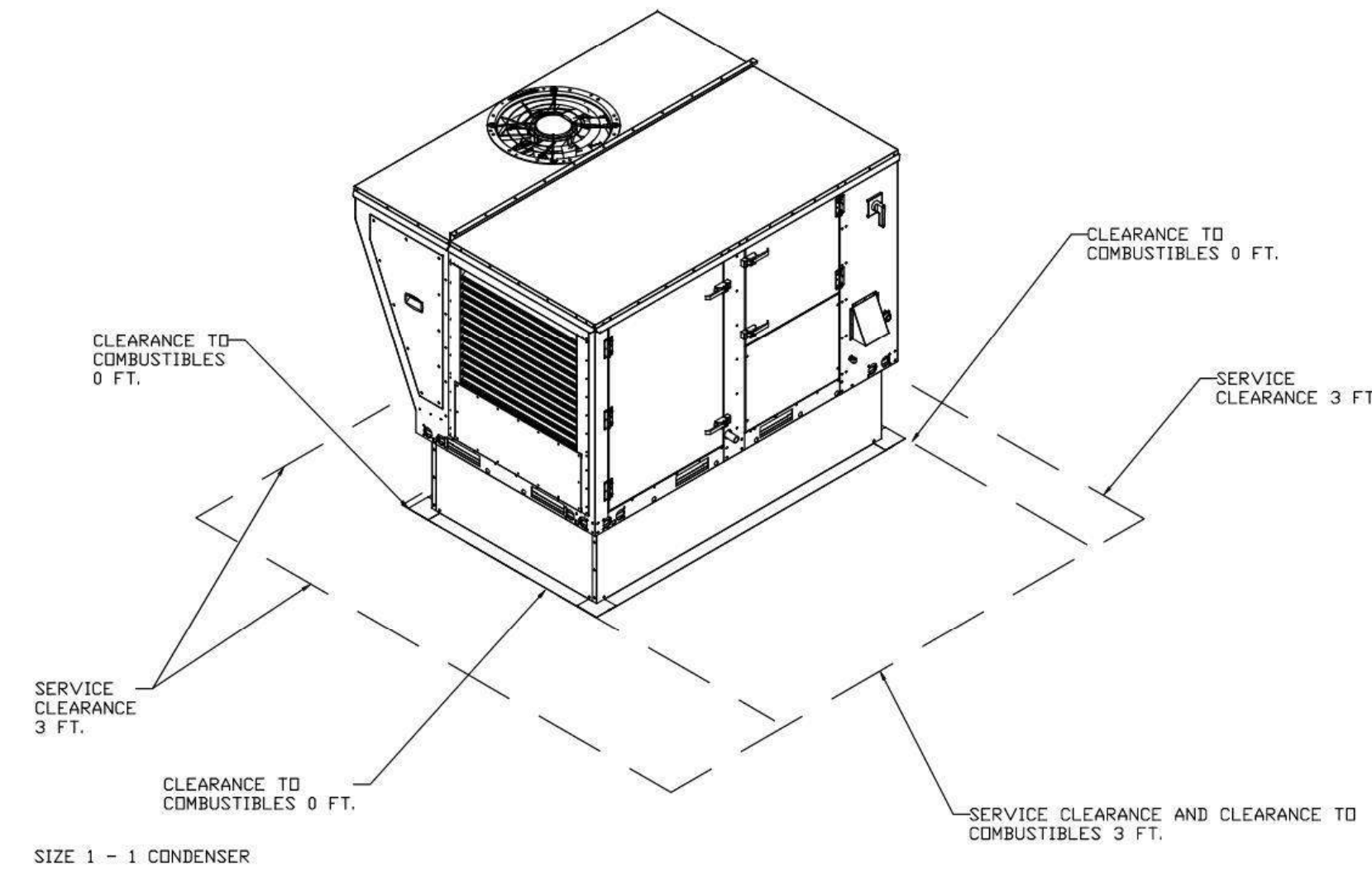
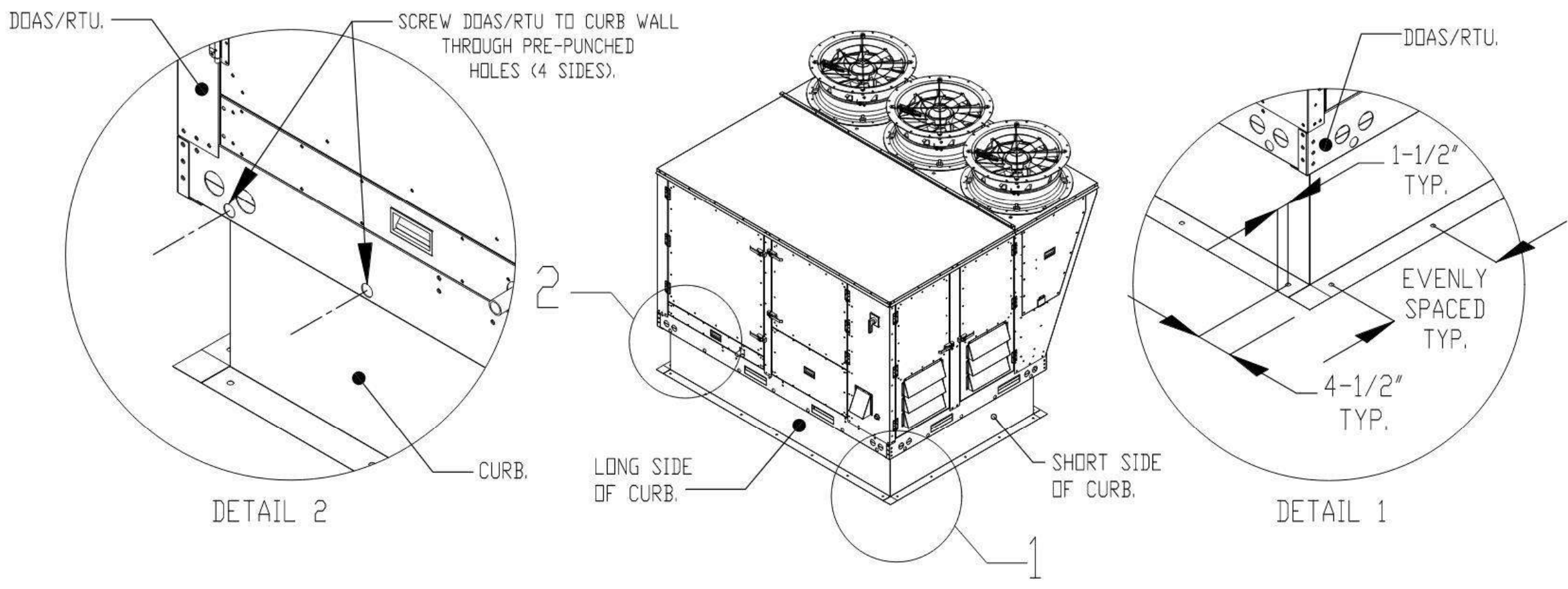
Your Title _____ Date _____

NOTES

DRAWING CONTAINS IMPORTANT INFORMATION FOR COORDINATION WITH M/E/P ENGINEER

TYPICAL DOAS/RTU ROOF MOUNTING INSTALLATION INSTRUCTIONS

- SECURE THE CURB TO THE ROOF FRAMING MEMBERS BY DRILLING 1/4" PILOT HOLES IN THE CURB FLANGES AT LOCATIONS SHOWN IN THE DIAGRAM BELOW. USING 3/8" X 2" ZINC PLATED STEEL LAG BOLTS, AND ZINC PLATED WASHERS, SCREW THROUGH THE CURB FLANGES AND INTO THE ROOF FRAMING MEMBERS. A MINIMUM OF (5) LAG BOLTS ON EACH SHORT SIDE, AND (7) LAG BOLTS ON EACH LONG SIDE IS REQUIRED.
- SECURE THE UNIT BASE TO THE SIDE WALLS OF THE CURB USING (24) 1/4"-14 X 2" SELF-DRILLING, STEEL ZINC PLATED SCREWS. PRE-PUNCHED HOLES HAVE BEEN PROVIDED FOR EACH SCREW LOCATION.



KITCHEN FAN DETAILS

REVISIONS

NO.	DESCRIPTION	DATE

econ·air
www.econair.com

Maryland Office
8120 Woodmont Avenue, Suite 720, Bethesda, MD, 20814 PHONE: (800) 988-0881 FAX: 9192275931 EMAIL: reg2@econair.com

Cava - Indianapolis, IN
128 South Brook Drive,
Leander, TX, 78641

DATE: 8/15/2024
DWG.#: 6980491
DRAWN BY: BT-32
SCALE: 3/4" = 1'-0"
MASTER DRAWING

SHEET NO. 4

ferris+sloane

101 N. Howard Street, Suite 450 Spokane, WA 99201

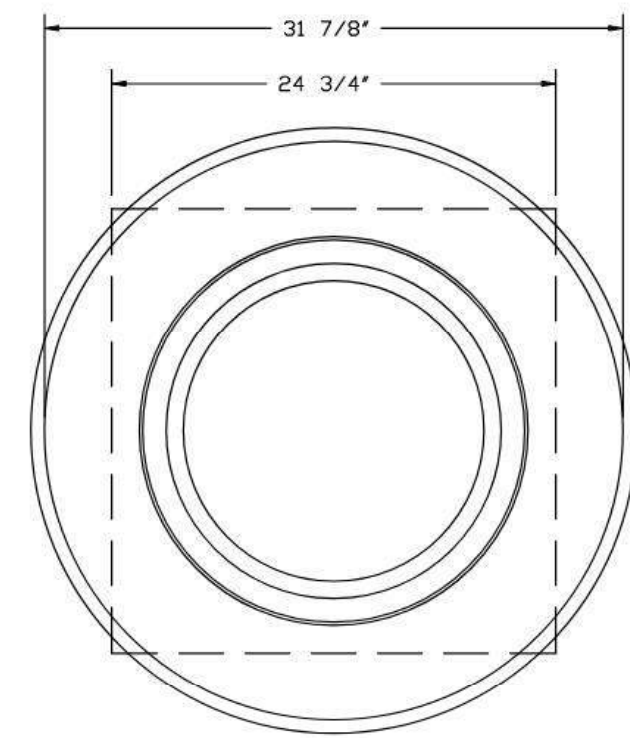
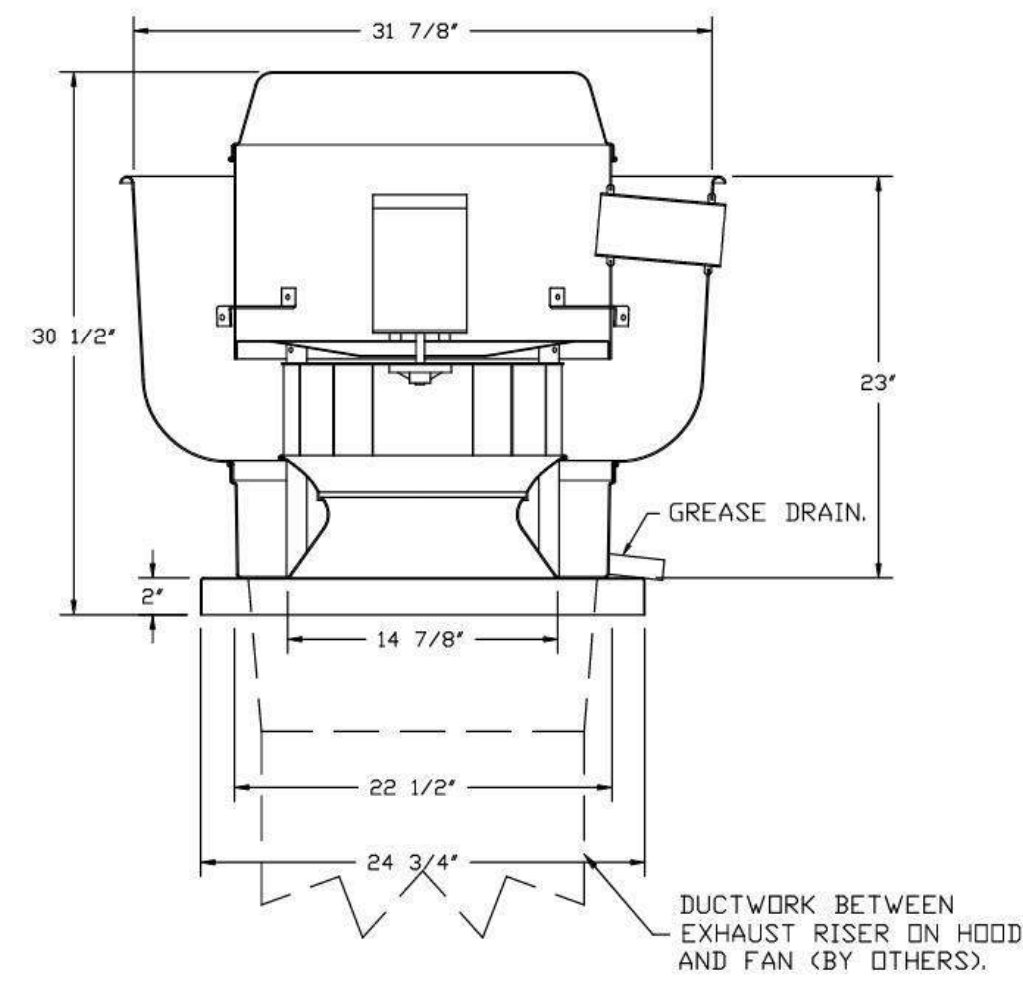
CAVA

CAVA #010518 INDIANAPOLIS IN - IUPUI
801 W. 10TH STREET
INDIANAPOLIS, IN 46202
FOR CAVA
14 Ridge Square NW #500, WASHINGTON, DC 20016

MECHANICAL HOOD DETAIL PLAN

SHEET: **M604**

FAN #1 EADUBSH - EXHAUST FAN (33R - KEF-1)



TOP VIEW

FEATURES:

- DIRECT DRIVE CONSTRUCTION (NO BELTS/PULLEYS).
- ROOF MOUNTED FANS.
- RESTAURANT MODEL.
- UL705 AND UL762 AND ULC-5645
- VARIABLE SPEED CONTROL.
- INTERNAL WIRING.
- THERMAL OVERLOAD PROTECTION (SINGLE PHASE).
- HIGH HEAT OPERATION 300°F (149°C).
- GREASE CLASSIFICATION TESTING.
- NEMA 3R SAFETY DISCONNECT SWITCH.

NORMAL TEMPERATURE TEST

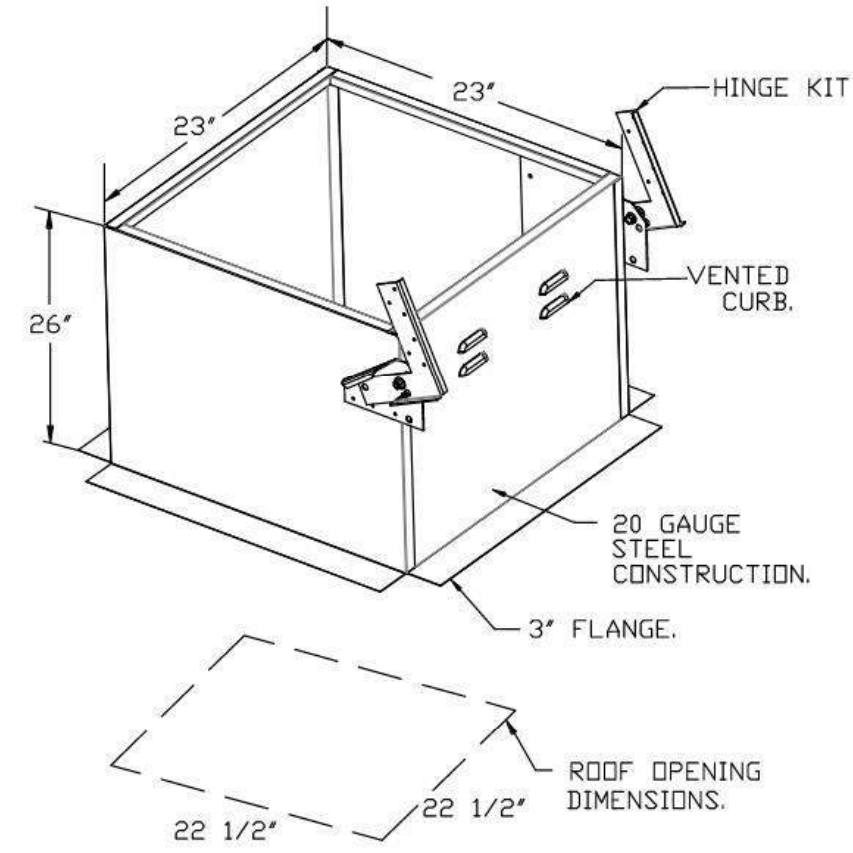
EXHAUST FAN MUST OPERATE CONTINUOUSLY WHILE EXHAUSTING AIR AT 300°F (149°C) UNTIL ALL FAN PARTS HAVE REACHED THERMAL EQUILIBRIUM, AND WITHOUT ANY DETEIORATING EFFECTS TO THE FAN WHICH WOULD CAUSE UNSAFE OPERATION.

ABNORMAL FLARE-UP TEST

EXHAUST FAN MUST OPERATE CONTINUOUSLY WHILE EXHAUSTING BURNING GREASE VAPORS AT 600°F (316°C) FOR A PERIOD OF 15 MINUTES WITHOUT THE FAN BECOMING DAMAGED TO ANY EXTENT THAT COULD CAUSE AN UNSAFE CONDITION.

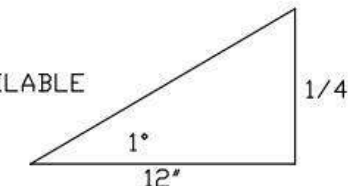
OPTIONS

- GREASE BOX.
- ECM WIRING PACKAGE - PWM SIGNAL FROM EXHHAUST PREVIRE (TELCO MOTOR), CCW ROTATION.
- 2 YEAR PARTS WARRANTY.

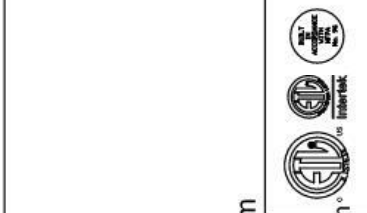


PITCHED CURBS ARE AVAILABLE FOR PITCHED ROOFS.

SPECIFY PITCH:
EXAMPLE: 7/12 PITCH = 30° SLOPE.



REVISIONS	
DESCRIPTION	DATE



recon·air
www.reconair.com

Maryland Office
8120 Woodmont Avenue, Suite 720, Bethesda, MD, 20814 PHONE: (800) 988-0881 FAX: 9192275931 EMAIL: reg32@reconair.com

Cava - Indianapolis, IN
128 South Brook Drive,
Leander, TX, 78641

DATE: 8/15/2024

DWG.#:
6980491

DRAWN BY: BT-32

SCALE:
3/4" = 1'-0"

MASTER DRAWING

SHEET NO.
5

CAVA #010518 INDIANAPOLIS IN - IUPUI
801 W. 10TH STREET
INDIANAPOLIS, IN 46202
FOR
CAVA
14 Ridge Square NW #500, WASHINGTON, DC 20016

AOR PROJECT NUMBER:
CAV054

ISSUE	DATE
SD SET	07/12/2024
PERMIT SET	08/23/2024
IFC SET	12/20/2024

MECHANICAL HOOD DETAIL
PLAN

SHEET:

M605

ferris+sloane


101 N. Howard Street, Suite 4503 Spokane, WA 99201



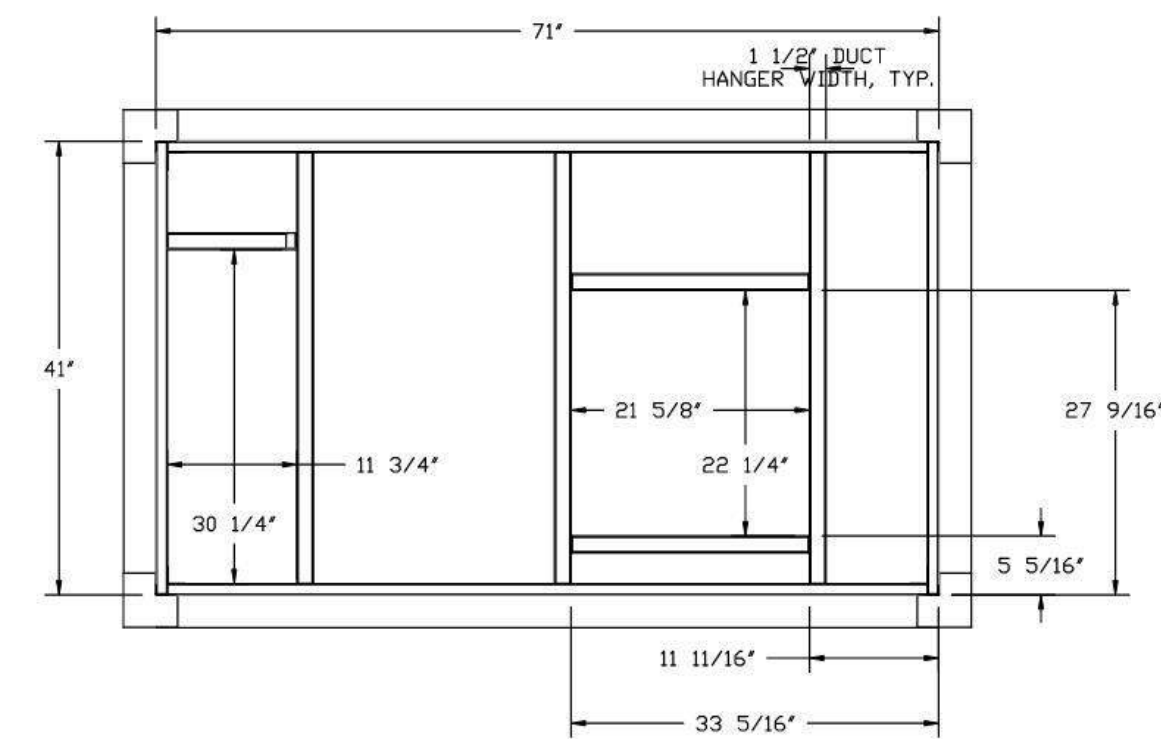
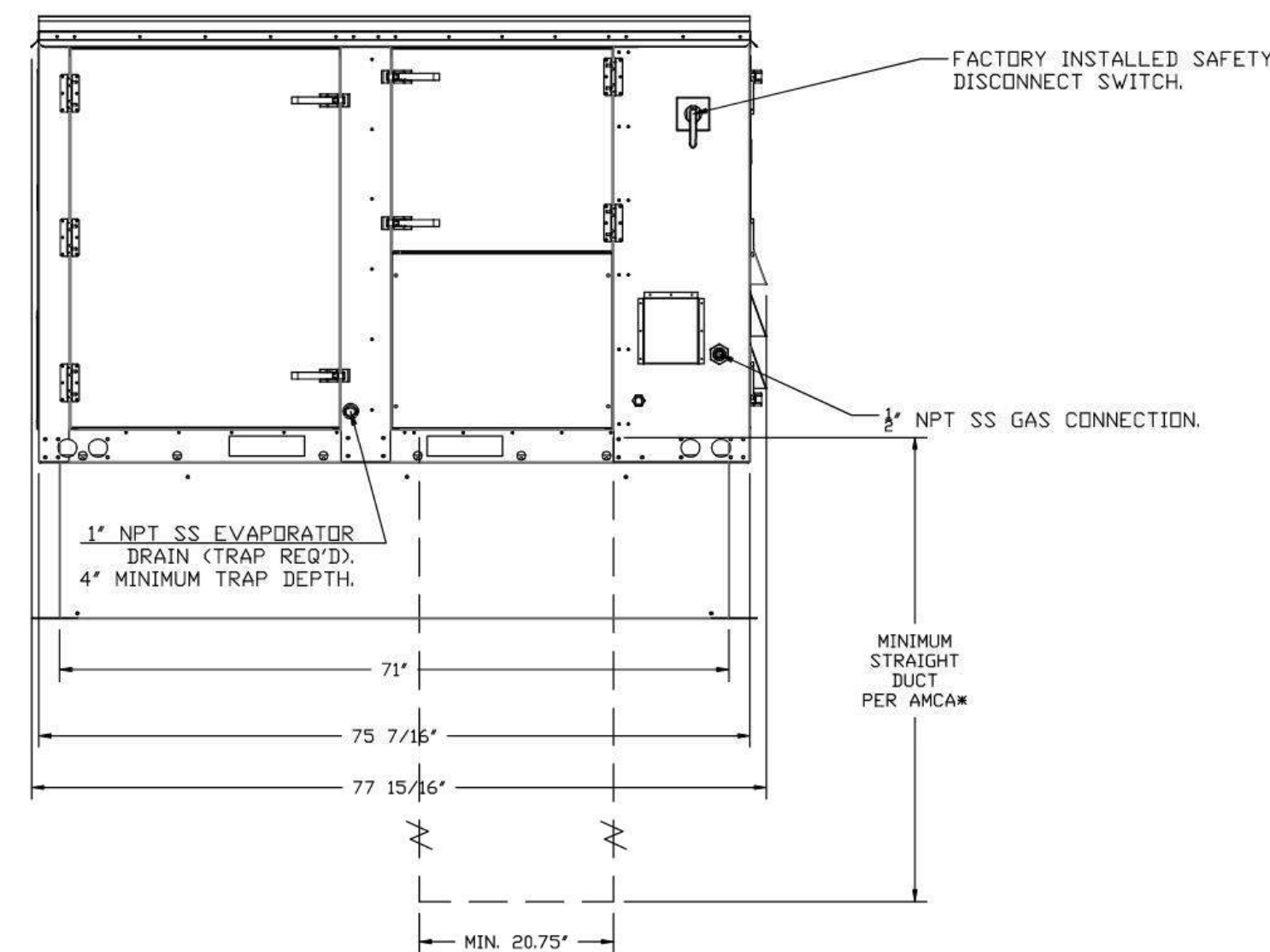
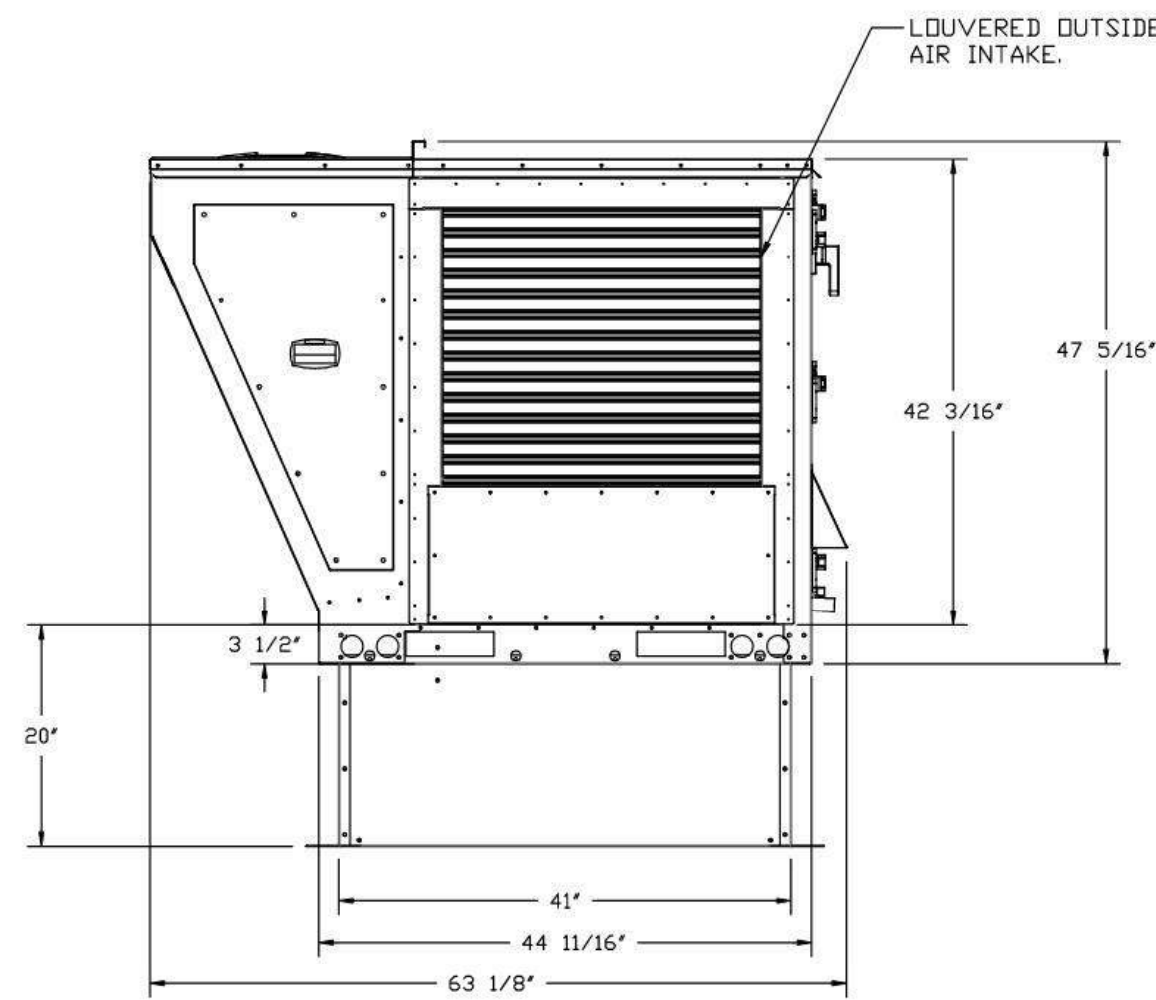
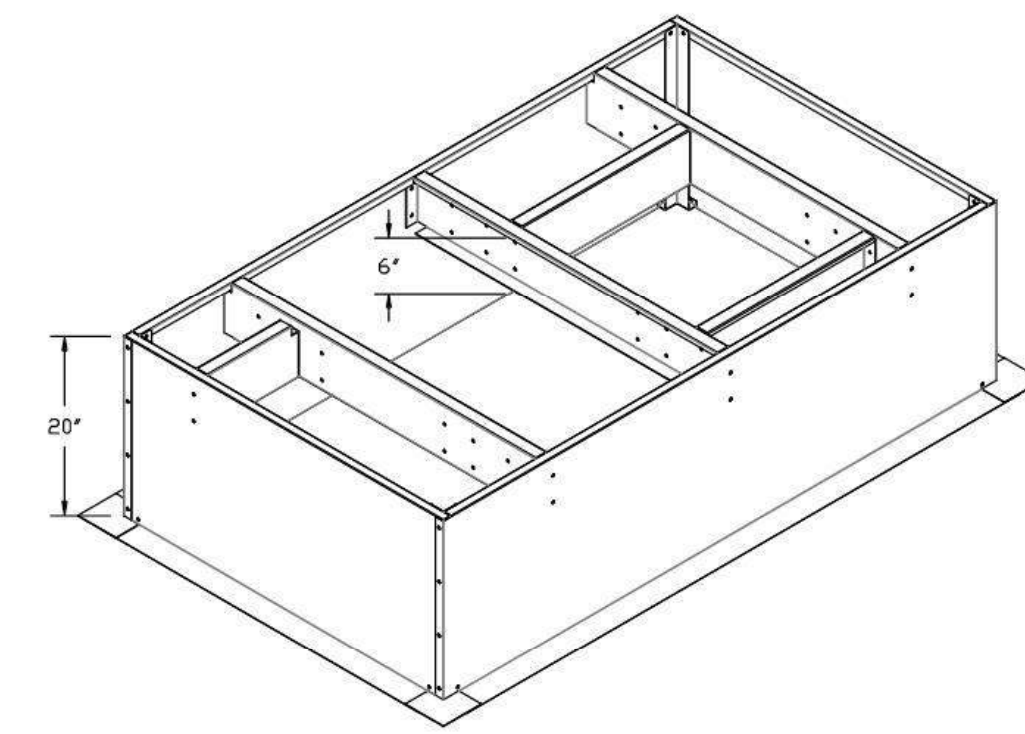
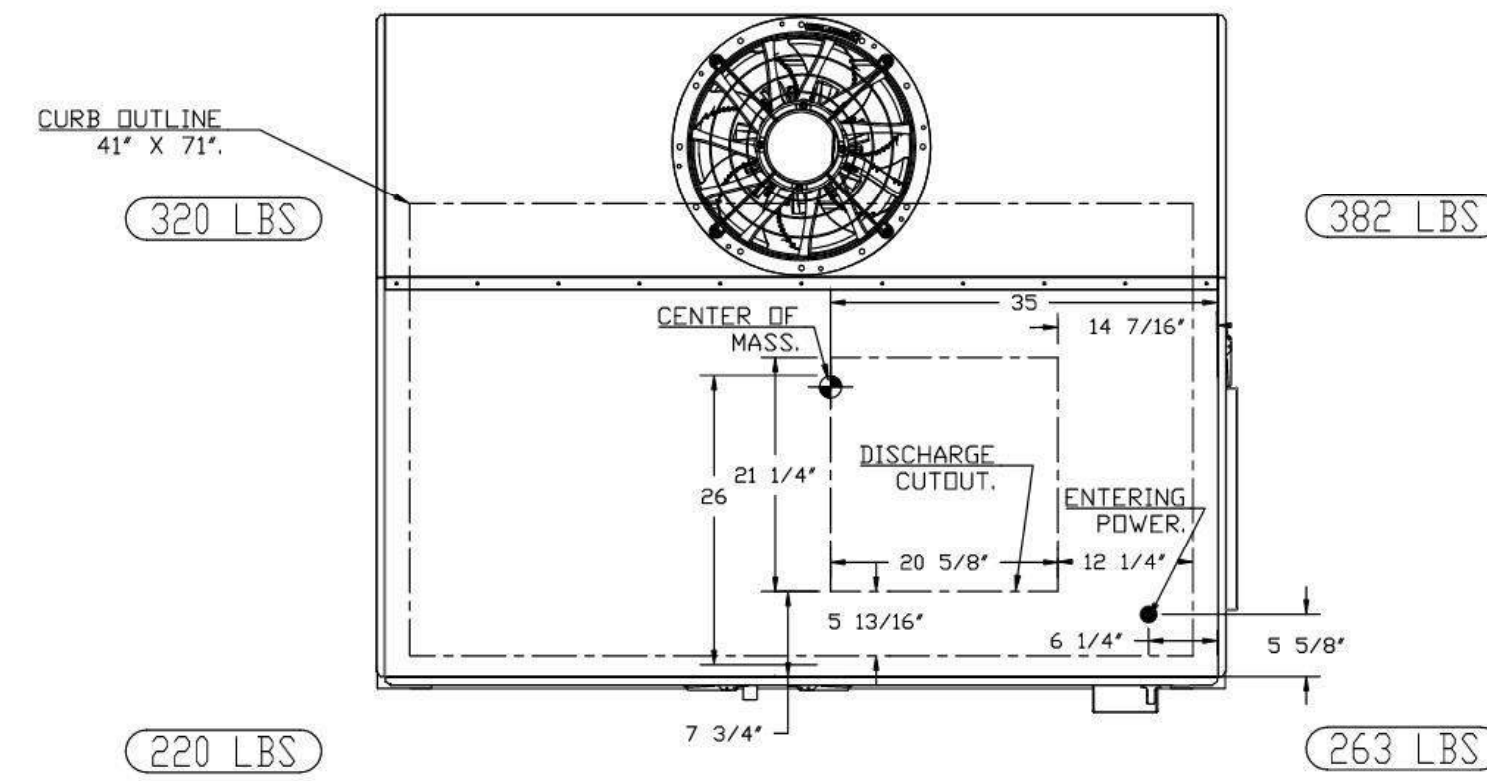
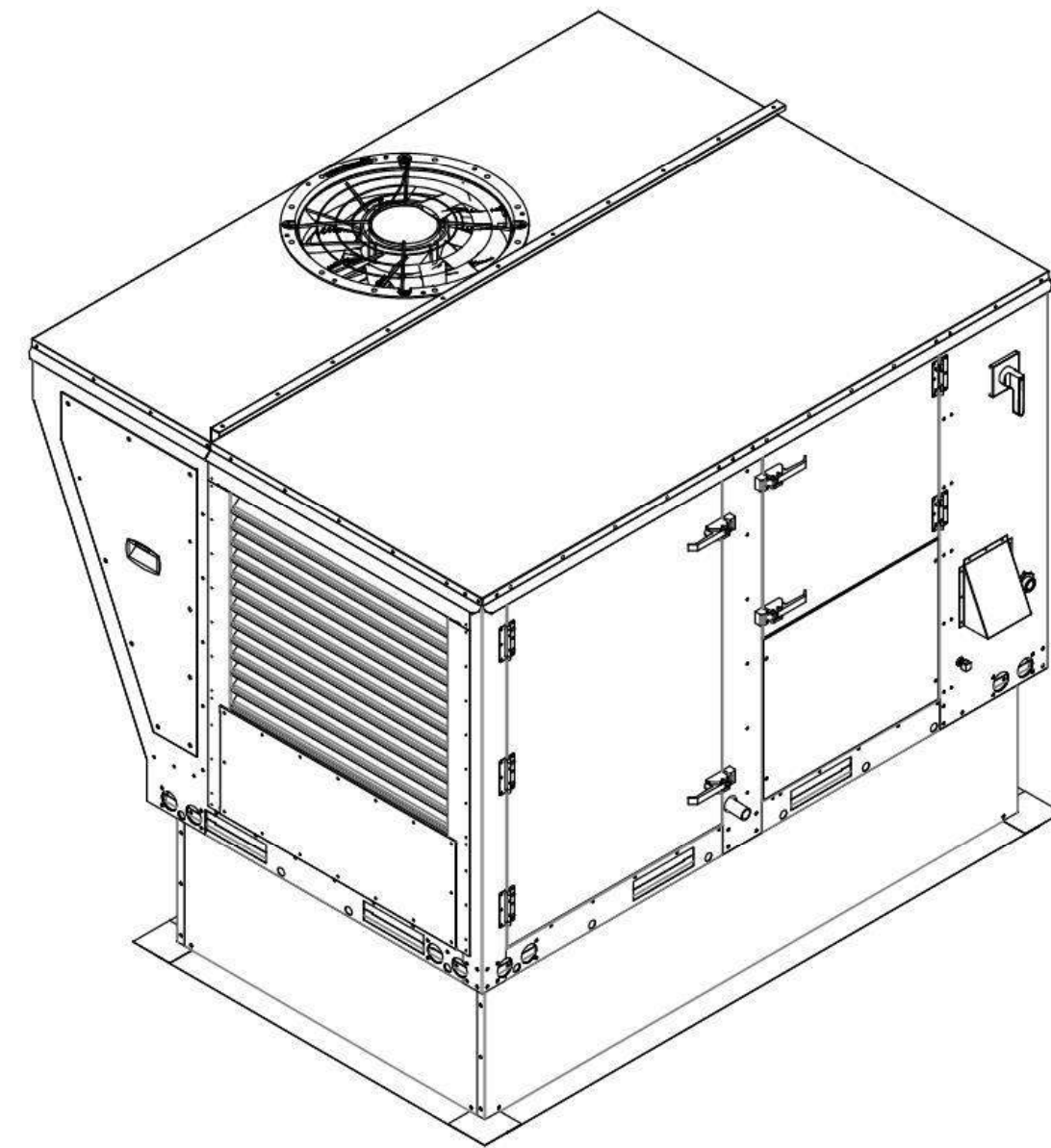
2801 15th Ave SE | Suite 113 Bellevue, WA 98007
T: 425.736.4100 | www.rtmec.com

FAN #2 EARTU1-I.200-15-5T-MPU - HEATER (33C - MUA-1)

NOTES:

- DO NOT OBSTRUCT OUTSIDE AIR INLET, OUTSIDE AIR COIL OR OUTSIDE AIR FAN.
-  DENOTES CORNER WEIGHT.
- ROOF OPENING MUST BE 2" SMALLER THAN CURB DIMENSIONS IN BOTH DIRECTIONS.
- CONNECTION FROM BREAKER TO UNITS SAFETY DISCONNECT SWITCH TO BE COPPER WIRE ONLY.
- EXTERIOR GAS CONNECTION PROVIDED BY FACTORY WITH QUICK SEAL AND ANTI-ROTATION BRACKET.

*NOTE: SUPPLY DUCT MUST BE INSTALLED TO MEET SMACNA STANDARDS. A MINIMUM STRAIGHT DUCT LENGTH MUST BE MAINTAINED DOWNSTREAM OF UNIT DISCHARGE AS OUTLINED IN AMCA PUBLICATION 201. WHEN USING RECTANGULAR DUCTWORK, ELBOWS MUST BE RADIUS THROAT, RADIUS BACK WITH TURNING VANES. FLEXIBLE DUCTWORK AND SQUARE THROAT/SQUARE BACK ELBOWS SHOULD NOT BE USED. ANY TRANSITION AND/OR TURNS IN THE DUCTWORK WILL CAUSE SYSTEM EFFECT. SYSTEM EFFECT WILL DRASTICALLY INCREASE STATIC PRESSURE AND REDUCE AIRFLOW. DO NOT RELY ON UNIT TO SUPPORT DUCT IN ANY WAY. FAILURE TO PROPERLY SIZE DUCTWORK MAY CAUSE SYSTEM EFFECTS AND REDUCE PERFORMANCE OF THE EQUIPMENT. SUGGESTED STRAIGHT DUCT SIZE IS 20.75" x 21.5".



REVISIONS

DESCRIPTION	DATE

econ·air
www.econair.com
Maryland Office
8120 Woodmont Avenue, Suite 720, Bethesda, MD, 20814 PHONE: (800) 988-1081 FAX: 919275931 EMAIL: reg@econair.com

Cava - Indianapolis, IN
128 South Brook Drive,
Leander, TX, 78641

DATE: 8/15/2024

DWG.#:
6980491

DRAWN BY: BT-32

SCALE:
3/4" = 1'-0"

MASTER DRAWING

SHEET NO.
6

CAVA #010518 INDIANAPOLIS IN - IUPUI
801 W. 10TH STREET
INDIANAPOLIS, IN 46202
FOR CAVA
14 Ridge Square NW #500, WASHINGTON, DC 20016

AOR PROJECT NUMBER:
CAV054

ISSUE	DATE
SD SET	07/12/2024
PERMIT SET	08/23/2024
IFC SET	12/20/2024

MECHANICAL HOOD DETAIL
PLAN

SHEET:

M606

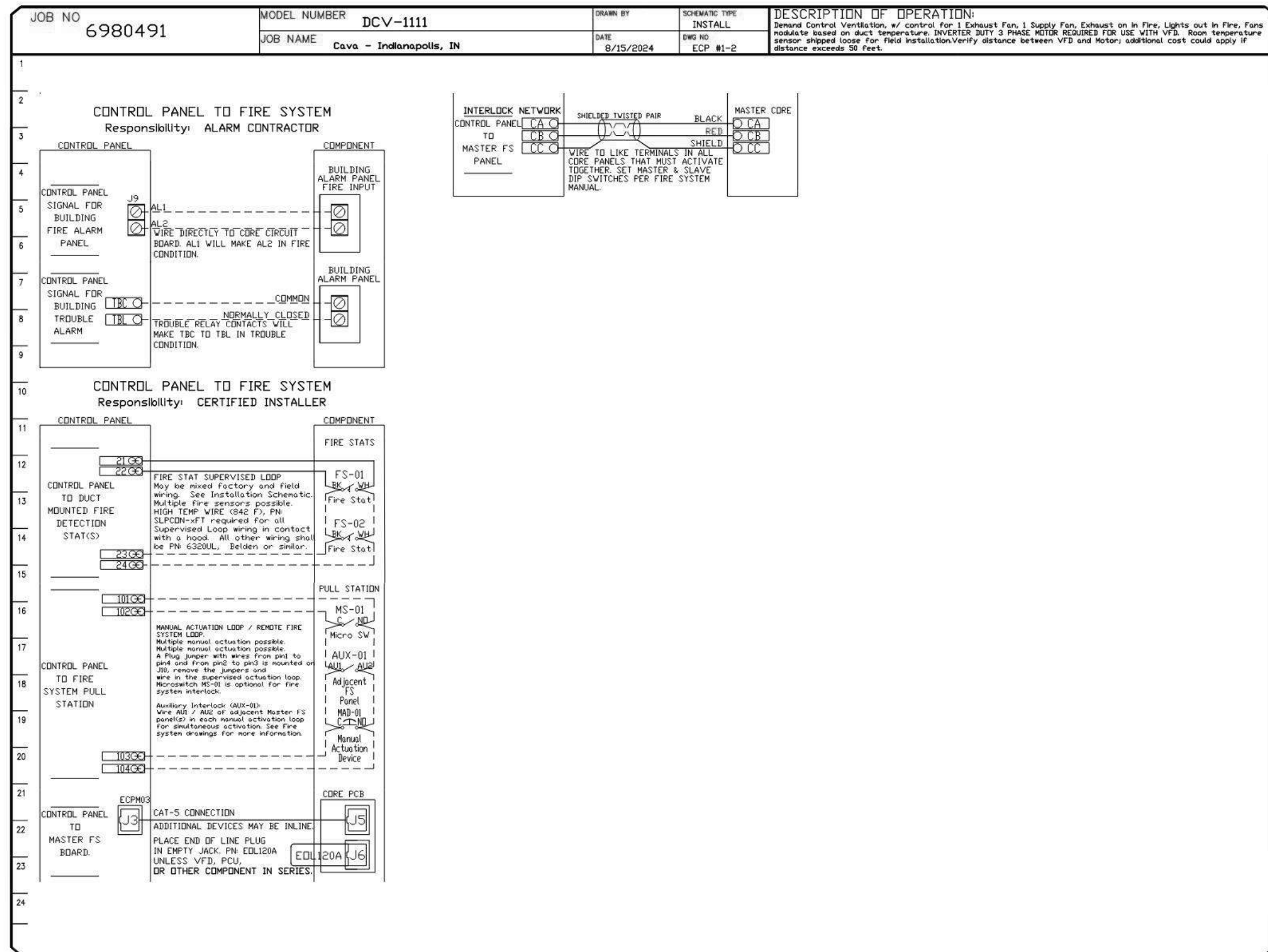
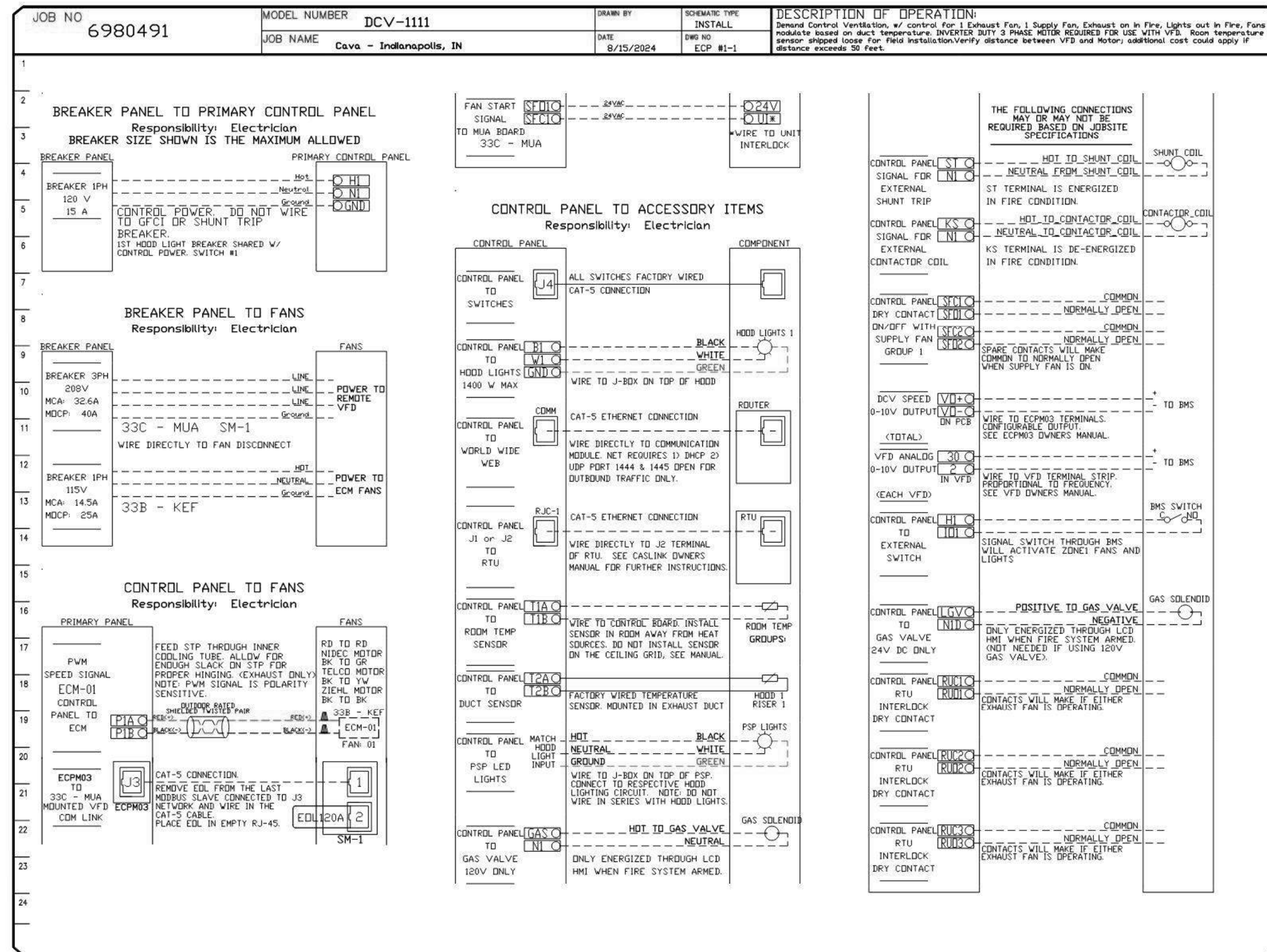


ferris+sloane

101 N. Howard Street, Suite 450 Spokane, WA 99201

ELECTRICAL PACKAGE - JOB#6980491

NO	TAG	PACKAGE #	LOCATION	SWITCHES		OPTION	FANS CONTROLLED					
				LOCATION	QUANTITY		FAN TAG	TYPE	Ø	HP	VOLTS	FLA
1		DCV-1111	UTILITY CABINET RIGHT	UTILITY CABINET RIGHT LIGHT HOOD # 1	1 LIGHT 1 FAN	SMART CONTROLS DCV	33B - KEF-1	EXHAUST	1	1,000	115	11.6
							33C - MUA-1	SUPPLY	3	3,000	208	9.5



CUSTOMER APPROVAL TO MANUFACTURE:

Approved as Noted

Approved with NO Exception Taken

Revise and Resubmit

SIGNATURE _____

Your Title _____ Date _____

SEQUENCE OF OPERATION - HOOD CONTROLS
ELECTRICAL PACKAGE: FP SERIES

ALL POWER, LIGHTING, MICROSWITCH AND TEMPERATURE PROBE CONNECTIONS AND INTERLOCKS TO BE COMPLETED BY ELECTRICAL CONTRACTOR PER SCHEMATICS PROVIDED WITH EQUIPMENT.

TWO METHODS TO ACTIVATE EXHAUST SYSTEM:
Manual activation:
Operator presses the fan button to energize contactor(s) and start the exhaust fan(s). Supply fan(s), if present, will be activated by factory pre-wired interlock.

Automatic activation:
Turn on cooking appliances. Exhaust fan(s) [and supply fan(s), if present] will automatically energize when duct temperature exceeds pre-set differential with respect to ambient room temperature (factory setpoint differential = 10 degrees F; adjustable). At the end of the day, after cooking operations have ceased, the fan(s) will shut off when the duct temperature falls below the setpoint differential.

FIRE CONDITION
IN THE EVENT OF A FIRE, A SIGNAL IS SENT ACROSS THE NORMALLY OPEN DRY CONTACT OF THE FIRE SUPPRESSION SYSTEM MICROSWITCH (INTERLOCKED WITH HOOD CONTROL PANEL BY ELECTRICIAN). EXHAUST FAN(S) TO REMAIN RUNNING, SUPPLY FAN(S) TO DE-ENERGIZE, LIGHTING CIRCUIT(S) TO DE-ENERGIZE. MICROSWITCH MUST BE RESET PRIOR TO RESUMPTION OF NORMAL OPERATION.

NOTE TO ELECTRICAL CONTRACTOR

CAPTIVEAIRE HOOD CONTROL PACKAGE IS FURNISHED BY KITCHEN EQUIPMENT CONTRACTOR AND SHOWN ON ELECTRICAL DRAWINGS FOR COORDINATION PURPOSES ONLY. ALL FIELD WIRING AND INTERLOCKS TO BE COMPLETED BY ELECTRICAL CONTRACTOR. CONTACT CAPTIVEAIRE WITH QUESTIONS REGARDING SCOPE OF WORK: (800) 988-0881

HOOD CONTROL DETAILS

REVISIONS

NO.	DESCRIPTION	DATE

econ·air
Maryland Office
8120 Woodmont Avenue, Suite 720, Bethesda, MD, 20814 PHONE: (800) 988-0881 FAX: 30192275931 EMAIL: reg32@econair.com

Cava - Indianapolis, IN
128 South Brook Drive,
Leander, TX, 78641

DATE: 8/15/2024
DWG.#: 6980491
DRAWN BY: BT-32
SCALE: 3/4" = 1'-0"
MASTER DRAWING

SHEET NO.
7

101 N. Howard Street, Suite 4565 Spokane, WA 99201

ferris+sloane

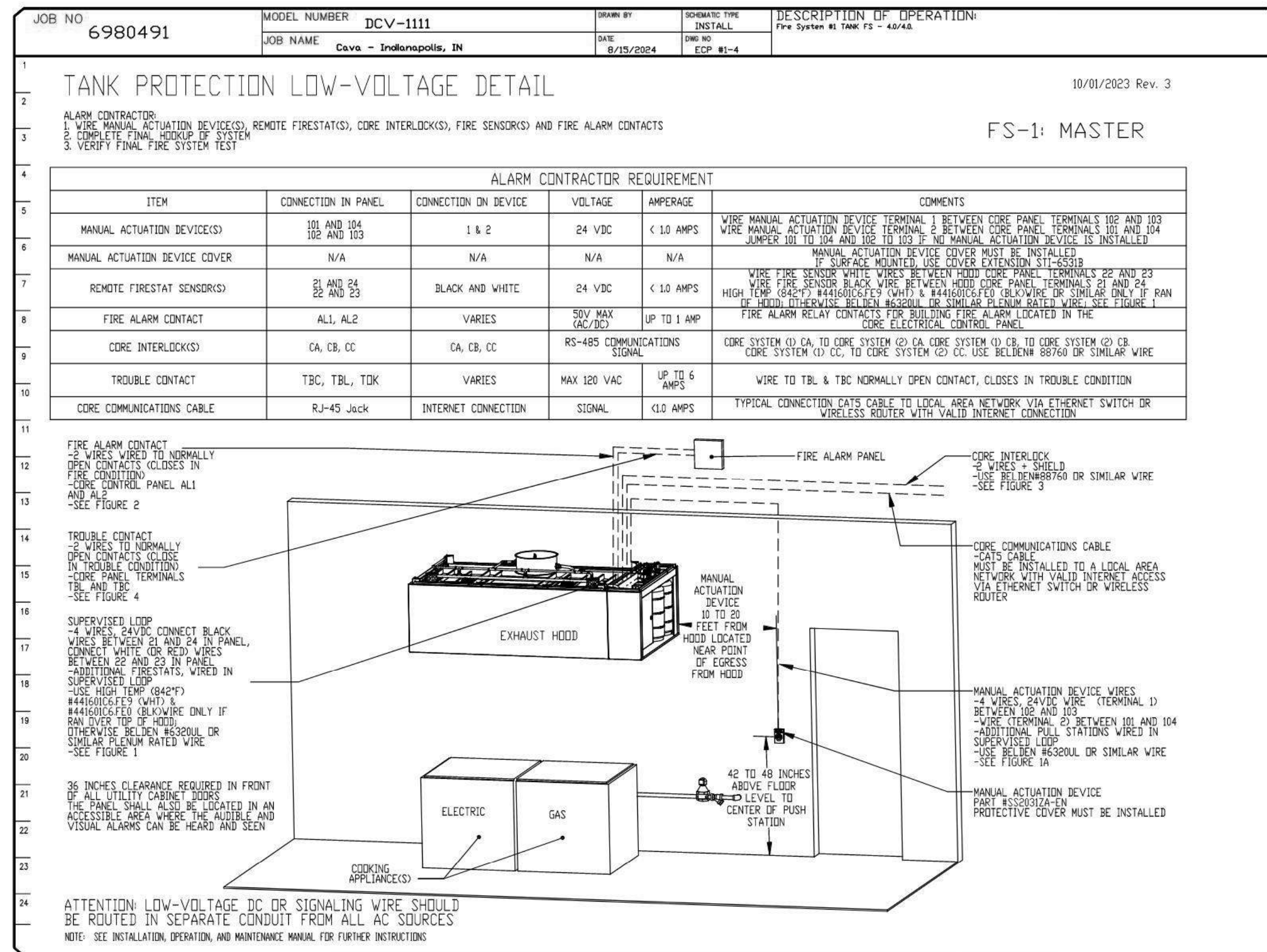
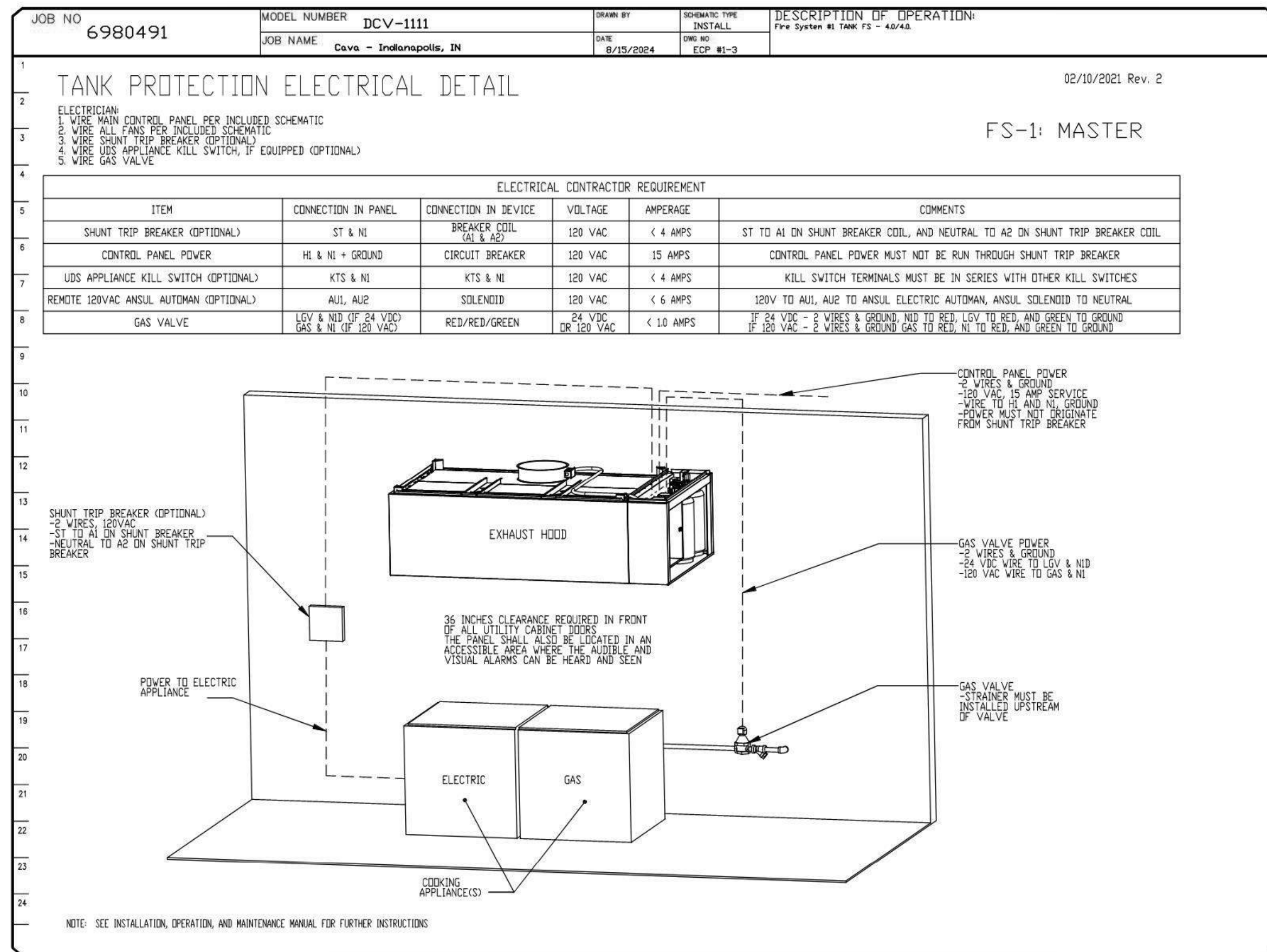
CAVA
INDIANAPOLIS, IN 46202
FOR CAVA
14 Ridge Square NW #500, WASHINGTON, DC 20016

CAVA #010518 INDIANAPOLIS IN - IUPUI
801 W. 10TH STREET
INDIANAPOLIS, IN 46202

MECHANICAL HOOD DETAIL PLAN

M607

12/20/2024 9:18:09 AM



REVISIONS	
DESCRIPTION	DATE

econ.air
 www.econair.com
 Maryland Office
 8120 Woodmont Avenue, Suite 720, Bethesda, MD, 20814 PHONE: (800) 988-0881 FAX: 9192275931 EMAIL: reg32@econair.com

Cava - Indianapolis, IN
 128 South Brook Drive,
 Leander, TX, 78641

DATE: 8/15/2024
 DWG.#: 6980491
 DRAWN BY: BT-32
 SCALE: 3/4" = 1'-0"
 MASTER DRAWING

AOR PROJECT NUMBER:
 CAV054

ISSUE	DATE
SD SET	07/12/2024
PERMIT SET	08/23/2024
IFC SET	12/20/2024

SHEET NO.
 8

CAVA #010518 INDIANAPOLIS IN - IUPUI
 801 W. 10TH STREET
 INDIANAPOLIS, IN 46202
 FOR
 CAVA
 14 Ridge Square NW #500, WASHINGTON, DC 20016

ferris+sloane
 101 N. Howard Street, Suite 4543 Spokane, WA 99201

MECHANICAL HOOD DETAIL
 PLAN

SHEET:
M608



SPECIFICATIONS - DIVISION 23 - HVAC

SECTION 230500 - GENERAL MECHANICAL REQUIREMENTS:

HVAC SUBCONTRACTOR SHALL PROVIDE A BID OF PREVENTATIVE MAINTENANCE SERVICES FOR ONE YEAR AT TIME OF BID.

FURNISH TO THE OWNER ALL OPERATING & MAINTENANCE MANUALS, RECORD DRAWINGS, TEST & BALANCE REPORT, CONTRACTOR SHALL COORDINATE WITH MANUFACTURER REPRESENTATIVES FOR EMPLOYEE TRAINING REQUIREMENTS FOR ALL EQUIPMENT.

MECHANICAL CONTRACTOR SHALL SUBMIT COMPLIANCE CHECKLIST TO BUILDING OFFICIAL UPON SUBSTANTIAL COMPLETION OF PROJECT. PROVIDE EQUIPMENT INDICATED ON THE DRAWINGS, AND AS REQUIRED FOR A COMPLETE FUNCTIONING SYSTEM.

DEFINITIONS:
FURNISH MEANS TO SUPPLY AND DELIVER TO PROJECT SITE, READY FOR INSTALLATION.
INSTALL MEANS TO PLACE IN POSITION AND MAKE CONNECTIONS FOR SERVICE OR USE.
PROVIDE MEANS TO FURNISH AND INSTALL, COMPLETE AND READY FOR INTENDED USE.

WARRANTY:
PROVIDE LABOR AND MATERIALS TO REPAIR OR REPLACE DEFECTIVE PARTS AND MATERIALS AS REQUIRED FOR ONE YEAR AFTER SUBSTANTIAL COMPLETION OR OWNER ACCEPTANCE OF THE COMPLETED PROJECT. PROVIDE A SEPARATE LINE ITEM DEDUCT AMOUNT ON THE PROPOSAL FORM TO DELETE WARRANTY SERVICE, AT THE OWNER'S OPTION. CONTRACTOR SHALL INCLUDE ONE YEAR WARRANTY ON OWNER FURNISHED EQUIPMENT. CONTRACTOR SHALL INCLUDE COSTS FOR RECEIVING, HANDLING, STORAGE, AND HOISTING OF OWNER FURNISHED EQUIPMENT.

COORDINATION:
COORDINATE WITH THE WORK OF OTHER SECTIONS, EQUIPMENT FURNISHED BY OTHERS, REQUIREMENTS OF THE OWNER, AND WITH THE CONSTRAINTS OF THE EXISTING CONDITIONS OF THE PROJECT SITE.

DUCT DIMENSIONS:
UNLESS OTHERWISE NOTED, DUCT DIMENSIONS ON THE DRAWINGS ARE INSIDE CLEAR DIMENSIONS.

MAKE-UP AIR UNIT:
UNIT SHALL HAVE AN INTEGRAL DISCHARGE THERMOSTAT LINKED TO THE INTERNAL CONTROLS. THE HEATER SHALL BE SET TO MAINTAIN DUCT SUPPLY TEMPERATURE AT NO LESS THAN 65 DEG. F. (ADJ.). HIGH LIMIT SWITCH SET TO 180 DEG. F. INTAKE AIR SENSOR SET TO 10 DEG. F. (ADJ.) LOWER THAN DISCHARGE AIR SENSOR.

TEMPERATURE CONTROLS:
PROVIDE PROGRAMMABLE THERMOSTATS WITH REMOTE TEMPERATURE SENSORS AND REMOTE HUMIDISTATS COMPATIBLE WITH ROOFTOP UNIT. CONTROL WIRING SHALL BE INSTALLED IN CONDUIT. THERMOSTAT SHALL MEET SETPOINT ADJUSTMENT FOR UNOCCUPIED MODE: HEATING DOWN TO 55 DEGREES AND COOLING UP TO 85 DEGREES. PROVIDE INTERLOCK CONTROL WIRING BETWEEN HOOD EXHAUST FANS AND ROOFTOP UNITS.

END OF SECTION

SECTION 230593 - TESTING, ADJUSTING, AND BALANCING FOR HVAC

PART 1 - GENERAL

1.1 SECTION REQUIREMENTS

A. SUBMITTALS:

- CERTIFIED TAB REPORTS.
- TAB FIRM QUALIFICATIONS: NBC CERTIFIED.
- TAB REPORT FORMS: STANDARD TAB CONTRACTOR'S FORMS APPROVED BY ARCHITECT.

PART 2 - PRODUCTS (NOT USED)

PART 3 - EXECUTION

3.1 EXAMINATION

- EXAMINE THE CONTRACT DOCUMENTS TO BECOME FAMILIAR WITH PROJECT REQUIREMENTS AND TO DISCOVER CONDITIONS IN SYSTEMS' DESIGNS THAT MAY PRECLUDE PROPER TAB OF SYSTEMS AND EQUIPMENT.
- EXAMINE THE APPROVED SUBMITTALS FOR HVAC SYSTEMS AND EQUIPMENT.
- EXAMINE SYSTEMS FOR INSTALLED BALANCING DEVICES, SUCH AS TEST PORTS, GAGE COCKS, THERMOMETER WELLS, FLOW-CONTROL DEVICES, BALANCING VALVES AND FITTINGS, AND MANUAL VOLUME DAMPERS. VERIFY THAT LOCATIONS OF THESE BALANCING DEVICES ARE ACCESSIBLE.
- EXAMINE SYSTEM AND EQUIPMENT INSTALLATIONS AND VERIFY THAT FIELD QUALITY-CONTROL TESTING, CLEANING, AND ADJUSTING SPECIFIED IN INDIVIDUAL SECTIONS HAVE BEEN PERFORMED.
- EXAMINE HVAC EQUIPMENT AND FILTERS AND VERIFY THAT BEARINGS ARE GREASED, BELTS ARE ALIGNED AND TIGHT, AND EQUIPMENT WITH FUNCTIONING CONTROLS IS READY FOR OPERATION.
- EXAMINE TERMINAL UNITS, SUCH AS VARIABLE-AIR-VOLUME BOXES, AND VERIFY THAT THEY ARE ACCESSIBLE AND THEIR CONTROLS ARE CONNECTED AND FUNCTIONING.

G. EXAMINE AUTOMATIC TEMPERATURE SYSTEM COMPONENTS TO VERIFY THE FOLLOWING:

- DAMPERS, VALVES, AND OTHER CONTROLLED DEVICES ARE OPERATED BY THE INTENDED CONTROLLER.
- DAMPERS AND VALVES ARE IN THE POSITION INDICATED BY THE CONTROLLER.
- INTEGRITY OF DAMPERS AND VALVES FOR FREE AND FULL OPERATION AND FOR TIGHTNESS OF FULLY CLOSED AND FULLY OPEN POSITIONS. THIS INCLUDES DAMPERS IN MULTIZONE UNITS, MIXING BOXES, AND VARIABLE-AIR-VOLUME TERMINALS.
- AUTOMATIC MODULATING AND SHUTOFF VALVES, INCLUDING TWO-WAY VALVES AND THREE-WAY MIXING AND DIVERTING VALVES, ARE PROPERLY CONNECTED.
- THERMOSTATS AND HUMIDISTATS ARE LOCATED TO AVOID ADVERSE EFFECTS OF SUNLIGHT, DRAFTS, AND COLD WALLS.
- SENSORS ARE LOCATED TO SENSE ONLY THE INTENDED CONDITIONS.
- SEQUENCE OF OPERATION FOR CONTROL MODES IS ACCORDING TO THE CONTRACT DOCUMENTS.
- CONTROLLER SET POINTS ARE SET AT INDICATED VALUES.
- INTERLOCKED SYSTEMS ARE OPERATING.
- CHANGEOVER FROM HEATING TO COOLING MODE OCCURS ACCORDING TO INDICATED VALUES.

H. REPORT DEFICIENCIES DISCOVERED BEFORE AND DURING PERFORMANCE OF MANUAL TEST AND BALANCE PROCEDURES.

3.2 GENERAL PROCEDURES FOR TESTING AND BALANCING

A. PERFORM TESTING AND BALANCING PROCEDURES ON EACH SYSTEM ACCORDING TO THE PROCEDURES CONTAINED IN ABCS' NATIONAL STANDARDS FOR TOTAL SYSTEM BALANCE, NBC, ASHRAE 111, NEBB'S PROCEDURAL STANDARDS FOR TESTING, ADJUSTING, AND BALANCING OF ENVIRONMENTAL SYSTEMS OR SMACNA'S HVAC SYSTEMS - TESTING, ADJUSTING, AND BALANCING AND IN THIS SECTION.

B. CUT INSULATION, DUCTS, PIPES, AND EQUIPMENT CABINETS FOR INSTALLATION OF TEST PROBES TO THE MINIMUM EXTENT NECESSARY FOR TAB PROCEDURES. AFTER TESTING AND BALANCING, PATCH PROBE HOLES IN DUCTS WITH SAME MATERIAL AND THICKNESS AS USED TO CONSTRUCT DUCTS. INSTALL AND JOIN NEW INSULATION THAT MATCHES REMOVED MATERIALS. RESTORE INSULATION, COVERINGS, VAPOR BARRIER, AND FINISH.

C. MARK EQUIPMENT AND BALANCING DEVICES, INCLUDING DAMPER-CONTROL POSITIONS, VALVE POSITION INDICATORS, FAN-SPEED-CONTROL LEVERS, AND SIMILAR CONTROLS AND DEVICES, WITH PAINT OR OTHER SUITABLE, PERMANENT IDENTIFICATION MATERIAL TO SHOW FINAL SETTINGS.

3.3 GENERAL PROCEDURES FOR BALANCING AIR SYSTEMS

- PREPARE SCHEMATIC DIAGRAMS OF SYSTEMS "AS-BUILT" DUCT LAYOUTS.
- FOR VARIABLE-AIR-VOLUME SYSTEMS, DEVELOP A PLAN TO SIMULATE DIVERSITY.
- DETERMINE THE BEST LOCATIONS IN MAIN AND BRANCH DUCTS FOR ACCURATE DUCT AIRFLOW MEASUREMENTS.
- VERIFY THAT MOTOR STARTERS ARE EQUIPPED WITH PROPERLY SIZED THERMAL PROTECTION.
- CHECK FOR AIRFLOW BLOCKAGES.

F. CHECK CONDENSATE DRAINS FOR PROPER CONNECTIONS AND FUNCTIONING.

G. CHECK FOR PROPER SEALING OF AIR-HANDLING UNIT COMPONENTS.

H. CHECK FOR PROPER SEALING OF AIR DUCT SYSTEM.

3.4 TOLERANCES

- SET HVAC SYSTEM AIRFLOW AND WATER FLOW RATES WITHIN THE FOLLOWING TOLERANCES:
 - SUPPLY, RETURN, AND EXHAUST FANS AND EQUIPMENT WITH FANS: PLUS OR MINUS 5 PERCENT.
 - AIR OUTLETS AND INLETS: PLUS OR MINUS 10 PERCENT.

END OF SECTION

SECTION 230700 - HVAC INSULATION

PART 1 - GENERAL

1.1 SECTION REQUIREMENTS

A. QUALITY ASSURANCE: LABELED WITH MAXIMUM FLAME-SPREAD INDEX OF 25 AND MAXIMUM SMOKE-DEVELOPED INDEX OF 50 ACCORDING TO ASTM E 84.

PART 2 - PRODUCTS

2.1 PERFORMANCE REQUIREMENTS

A. SURFACE-BURNING CHARACTERISTICS:

- INDOOR INSULATION AND RELATED MATERIALS: TO BE FACTORY LABELED DESIGNATING MAXIMUM FLAME-SPREAD INDEX OF 25 OR LESS, AND SMOKE-DEVELOPED INDEX OF 50 OR LESS ACCORDING TO ASTM E 84.

2.2 INSULATION MATERIALS

- FLEXIBLE ELASTOMERIC, CLOSED-CELL, SPONGE- OR EXPANDED-RUBBER MATERIALS. COMPLY WITH ASTM C 534, TYPE I FOR TUBULAR MATERIALS AND TYPE II FOR SHEET MATERIALS.
- MINERAL-FIBER BLANKET INSULATION: COMPLY WITH ASTM C 553, TYPE II AND ASTM C 1290, TYPE I.
 - FSK JACKET: ALUMINUM-FOIL, FIBERGLASS-REINFORCED SCRIM WITH KRAFT-PAPER BACKING; COMPLYING WITH ASTM C 1136, TYPE II.
 - FSK TAPE: FOIL-FACE, VAPOR-RETARDER TAPE MATCHING FACTORY-APPLIED JACKET WITH ACRYLIC ADHESIVE; COMPLYING WITH ASTM C 1136.
- MINERAL-FIBER PIPE AND TANK INSULATION: COMPLYING WITH ASTM C 1303, TYPE II OR TYPE IIIA CATEGORY 2, OR WITH PROPERTIES SIMILAR TO ASTM C 612, TYPE IB, AND HAVING FACTORY-APPLIED ASJ JACKET. NOMINAL DENSITY IS 2.5 LB./CU. FT. OR MORE. THERMAL CONDUCTIVITY (K-VALUE) AT 100 DEG F IS 0.29 BTU X IN./H X SQ. FT. X DEG F OR LESS.
 - ASJ WHITE, KRAFT-PAPER, FIBERGLASS-REINFORCED SCRIM WITH ALUMINUM-FOIL BACKING; COMPLYING WITH ASTM C 1136, TYPE I.
 - ASJ TAPE: WHITE VAPOR-RETARDER TAPE MATCHING FACTORY-APPLIED JACKET WITH ACRYLIC ADHESIVE; COMPLYING WITH ASTM C 1136.
- FLEXIBLE ELASTOMERIC ADHESIVE: COMPLY WITH MIL-A-24179A, TYPE II, CLASS I.
- MINERAL-FIBER ADHESIVE: COMPLY WITH MIL-A-3318C, CLASS 2, GRADE A.
- VAPOR-BARRIER MASTIC: WATER BASED; SUITABLE FOR INDOOR AND OUTDOOR USE ON BELOW AMBIENT SERVICES; COMPLY WITH MIL-PRF-19566C, TYPE II.

PART 3 - EXECUTION

3.1 INSULATION INSTALLATION

- COMPLY WITH REQUIREMENTS OF THE MIDWEST INSULATION CONTRACTORS ASSOCIATION'S 'NATIONAL COMMERCIAL & INDUSTRIAL INSULATION STANDARDS' FOR INSULATION INSTALLATION ON PIPES AND EQUIPMENT.
- INSULATION INSTALLATION AT INTERIOR WALL AND PARTITION PENETRATIONS (THAT ARE NOT FIRE RATED): INSTALL INSULATION CONTINUOUSLY THROUGH WALLS AND PARTITIONS.
- INSULATION INSTALLATION AT FIRE-RATED WALL, PARTITION, AND FLOOR PENETRATIONS: INSTALL INSULATION CONTINUOUSLY THROUGH PENETRATIONS. SEAL PENETRATIONS. COMPLY WITH REQUIREMENTS IN SECTION 078400.
- FLEXIBLE ELASTOMERIC INSULATION INSTALLATION:
 - SEAL LONGITUDINAL SEAMS AND END JOINTS WITH ADHESIVE TO ELIMINATE OPENINGS IN INSULATION THAT ALLOW PASSAGE OF AIR TO SURFACE BEING INSULATED.
- INSULATION INSTALLATION ON PIPE FITTINGS AND ELBOWS: INSTALL MITERED SECTIONS OF PIPE INSULATION. SECURE INSULATION MATERIALS AND SEAL SEAMS WITH ADHESIVE TO ELIMINATE OPENINGS IN INSULATION THAT ALLOW PASSAGE OF AIR TO SURFACE BEING INSULATED.
- MINERAL-FIBER INSULATION INSTALLATION:
 - INSULATION INSTALLATION ON STRAIGHT PIPES AND TUBES: WHERE VAPOR BARRIERS ARE INDICATED, SEAL LONGITUDINAL SEAMS, END JOINTS, AND PROTRUSIONS WITH VAPOR-BARRIER MASTIC AND JOINT SEALANT.
 - FOR INSULATION WITH FACTORY-APPLIED JACKETS ON ABOVE AMBIENT SURFACES, SECURE LAPS WITH OUTWARD CLINCHED STAPLES AT 6 INCHES O.C.
 - FOR INSULATION WITH FACTORY-APPLIED JACKETS ON BELOW AMBIENT SURFACES, DO NOT STAPLE LONGITUDINAL TABS BUT SECURE TABS WITH ADDITIONAL ADHESIVE AS RECOMMENDED BY INSULATION MATERIAL MANUFACTURER AND SEAL WITH VAPOR-BARRIER MASTIC AND FLASHING SEALANT.
 - BLANKET INSULATION INSTALLATION ON DUCTS AND PLENUMS: SECURE WITH ADHESIVE AND INSULATION PINS.
 - FOR DUCTS AND PLENUMS WITH SURFACE TEMPERATURES BELOW AMBIENT, INSTALL A CONTINUOUS UNBROKEN VAPOR BARRIER.
- PLENUMS AND DUCTS REQUIRING INSULATION:
 - CONCEALED SUPPLY AIR.
 - CONCEALED AND EXPOSED OUTDOOR AIR.
 - CONCEALED AND EXPOSED RETURN AIR LOCATED IN NONCONDITIONED SPACE.

3.2 DUCT AND PLENUM INSULATION SCHEDULE RETAIN "ONE OF" OPTION IN PARAGRAPHS IN THIS ARTICLE TO ALLOW CONTRACTOR TO SELECT PIPING MATERIALS FROM THOSE RETAINED.

A. CONCEALED DUCT INSULATION SHALL BE 1-1/2" THICK MINERAL-FIBER BLANKET WITH A 1.5 LB./CU. FT. NOMINAL DENSITY.

3.3 HVAC PIPING INSULATION SCHEDULE

- CONDENSATE PIPING: INSULATION SHALL BE 1" THICK FLEXIBLE ELASTOMERIC.
- REFRIGERANT PIPING: INSULATION SHALL BE 1" THICK FLEXIBLE ELASTOMERIC.

END OF SECTION

SECTION 232300 - REFRIGERANT PIPING

PART 2 - PRODUCTS

2.1 TUBES AND FITTINGS

- COPPER TUBE: ASTM B 88, TYPE K OR TYPE L, ANNEALED OR DRAWN-TEMPER TUBING AND WROUGHT-COPPER FITTINGS WITH BRAZED OR SOLDERED JOINTS.
- WROUGHT-COPPER FITTINGS AND UNIONS: ASME B16.22.
- SOLDER FILLER METALS: ASTM B 32. USE 95-5 TIN ANTIMONY OR ALLOY HB SOLDER TO JOIN COPPER SOCKET FITTINGS ON COPPER PIPE.
- BRAZING FILLER METALS: AWS A5.8.

2.2 VALVES AND SPECIALTIES

A. AS REQUIRED BY THE KITCHEN EQUIPMENT MANUFACTURER.

PART 3 - EXECUTION

3.1 INSTALLATION

- INSTALL REFRIGERANT PIPING AND CHARGE WITH REFRIGERANT ACCORDING TO ASHRAE 15.
- INSTALL REFRIGERANT PIPING AS REQUIRED BY THE KITCHEN EQUIPMENT MANUFACTURER.

END OF SECTION

SECTION 233100 - HVAC DUCTS AND CASINGS

PART 2 - PRODUCTS

2.1 PERFORMANCE REQUIREMENTS

- COMPLY WITH SMACNA'S HVAC DUCT CONSTRUCTION STANDARDS - METAL AND FLEXIBLE.*
- STRUCTURAL PERFORMANCE: DUCT HANGERS AND SUPPORTS SHALL WITHSTAND THE EFFECTS OF GRAVITY LOADS AND STRESSES WITHIN LIMITS AND UNDER CONDITIONS DESCRIBED IN SMACNA'S HVAC DUCT CONSTRUCTION STANDARDS - METAL AND FLEXIBLE*.
- COMPLY WITH NFPA 96 FOR DUCTS CONNECTED TO COMMERCIAL KITCHEN HOODS.

2.2 DUCTS

- ELECTROGALVANIZED-STEEL SHEET: ASTM A 819
 - PAINT/LOCK/PAINT/LOCK OR EQUAL.
- GENERAL DUCTWORK SHALL BE GALVANIZED STEEL, ASTM A653/A653M, CONSTRUCTED TO THE GAUGE AND CORRESPONDING REINFORCING SCHEDULE AS INDICATED IN THE LATEST EDITION OF SMACNA.
- TYPE 1 KITCHEN EXHAUST DUCTWORK
 - ACTORY-BUILT COMMERCIAL KITCHEN GREASE DUCT:
 - ALL REDUCED CLEARANCE, ROUND, DOUBLE-WALL GREASE DUCT AS SPECIFIED MEETING UL 1978 REQUIREMENTS. REFER TO KITCHEN EQUIPMENT SUPPLIER DRAWINGS FOR REQUIREMENTS.
 - DUCTWORKS AND FITTINGS FURNISHED BY OWNER FOR INSTALLATION BY THIS CONTRACTOR.
 - NO FIRE WRAP SHALL BE REQUIRED FOR THIS INSTALLATION.
 - TYPE 2 KITCHEN EXHAUST DUCTWORK: 18 GAUGE ALUMINUM OR STAINLESS STEEL. SEAMS SHALL BE CONTINUOUSLY WELDED LIQUID TIGHT.
 - JOINT AND SEAM TAPE, AND SEALANT: COMPLY WITH UL 181A. PROVIDE POLYMERIC RUBBER TYPE SEALANT FOR USE ON BOTH INTERIOR LOCATED DUCTWORK AND DUCTWORK EXPOSED TO OUTDOOR CONDITIONS. SEALER SHALL HAVE HIGH BONDING STRENGTH FOR SURE, FIRST TIME SEALING OF JOINTS IN LOW, MEDIUM, AND HIGH PRESSURE DUCT SYSTEMS. SEALER SHALL BE HIGH IN SOLID CONTENT, PROVIDE A TWO PART TAPE SEALING SYSTEM, CONSISTING OF WOVEN FIBER TAPE IMPREGNATED WITH A GYPSUM MINERAL COMPOUND, AND A MODIFIED ACRYLIC/SILICONE ACTIVATOR THAT REACTS EXOTHERMICALLY WITH THE TAPE. TWO PART TAPE SEALING SYSTEM MUST BE RATED FOR BOTH INDOOR AND OUTDOOR APPLICATION. TAPE SHALL NOT CONTAIN ASBESTOS.
 - METAL DUCT FABRICATION: COMPLY WITH SMACNA'S HVAC DUCT CONSTRUCTION STANDARDS - METAL AND FLEXIBLE.*
- ACCESSORIES

A. VOLUME DAMPERS AND CONTROL DAMPERS: SINGLE-BLADE AND MULTIPLE OPPOSED-BLADE DAMPERS, STANDARD LEAKAGE RATING, HEAVY DUTY, AND SUITABLE FOR HORIZONTAL OR VERTICAL APPLICATIONS; FACTORY FABRICATED AND COMPLETE WITH REQUIRED HARDWARE AND ACCESSORIES.

- ROUND VOLUME DAMPERS: PROVIDE MINIMUM 20 GAUGE GALVANIZED STEEL FRAME AND BLADES. MINIMUM 3/8" SQUARE STEEL AXLE, MOLDED SYNTHETIC BEARINGS, WITH LOCKING POSITION REGULATOR. REGULATOR SHALL BE POSITIONED WITH SHEET METAL BRACKET BEYOND DUCT COVERING, WHERE POSITIONING REGULATOR IS NOT ACCESSIBLE, PROVIDE COUPLING AND EXTENSION ROD WITH REGULATOR FOR CEILING OR WALL INSTALLATION, AS REQUIRED.
- RECTANGULAR VOLUME DAMPERS: PROVIDE MINIMUM 16 GAUGE GALVANIZED STEEL CHANNEL FRAME, 16 GAUGE GALVANIZED STEEL BLADES, MINIMUM 1/2" HEXAGONAL AXLE, BOLDED SYNTHETIC BEARINGS, WITH 3/8" SQUARE PLATED STEEL CONTROL SHAFT. LINKAGES SHALL BE CONCEALED IN THE FRAME. OPERATING SHAFT SHALL EXTEND BEYOND FRAME AND DUCT TO A LOCKING QUADRANT WITH ADJUSTABLE LEVER. MAXIMUM BLADE WIDTH SHALL NOT EXCEED 8".

B. FLEXIBLE DUCT CONNECTORS: FLAME-RETARDED OR NONCOMBUSTIBLE FABRICS, COATINGS, AND ADHESIVES COMPLYING WITH UL 161, CLASS 1. CONNECTOR TO BE 30 OUNCE, NEOPRENE COATED, FIBERGLASS FABRIC.

C. FLEXIBLE DUCTS: FACTORY ASSEMBLED, UL 181, CLASS 1, WITH 1-1/2-INCH THICK (R-5 MIN.), 1 PCF FIBERGLASS INSULATION AND REINFORCED OUTER PROTECTIVE COVER/VAPOR BARRIER. FLEXIBLE DUCT SHALL MEET NFPA 90A WITH FLAME SPREAD UNDER 75, SMOKE DEVELOPED UNDER 50, AND SHALL BE RATED FOR MINIMUM 2-INCH WG PRESSURE AND 0 TO 250°F TEMPERATURE. PROVIDE SCREW-OPERATED METAL ADJUSTABLE CLAMPING DEVICES. USE TWIST-LOCK CONICAL TAP COLLARS AT CONNECTIONS INTO SHEET METAL DUCTWORK. MAXIMUM EXTENDED LENGTH OF FLEXIBLE DUCT SHALL NOT EXCEED 5 FEET.

D. TURNING VANES: PROVIDE FABRICATED TURNING VANES AND VANE RUNNERS, CONSTRUCTED IN ACCORDANCE WITH SMACNA HVAC DUCT CONSTRUCTION STANDARDS. PROVIDE TURNING VANES CONSTRUCTED OF CURVED BLADES, SUPPORTED WITH BARS PERPENDICULAR TO BLADES, AND SET INTO SIDE STRIPS SUITABLE FOR MOUNTING IN DUCTWORK. FOLLOW SMACNA GUIDELINES FOR SPACING SUPPORT, AND CONSTRUCTION. ALL BLADES SHALL BE DOUBLE THICKNESS AIRFLOW TYPE.

E. BIRD SCREENS AND FRAMES: PROVIDE BIRD SCREENS THAT CONFORM TO ASTM E 2016, NO. 2 MESH, ALUMINUM OR STAINLESS STEEL. PROVIDE "MEDIUM-LIGHT" RATED ALUMINUM SCREENS. PROVIDE "LIGHT" RATES STAINLESS STEEL SCREENS.

F. DUCT-MOUNTED ACCESS DOORS: FABRICATE ACCESS PANELS ACCORDING TO SMACNA'S HVAC DUCT CONSTRUCTION STANDARDS - METAL AND FLEXIBLE*; FIGURES 2-10, "DUCT ACCESS DOORS AND PANELS," AND 2-11, "ACCESS PANELS - ROUND DUCT."

PART 3 - EXECUTION

3.1 INSTALLATION

- INSTALL DUCTWORK, ACCESSORIES, AND SUPPORTS ACCORDING TO SMACNA'S HVAC DUCT CONSTRUCTION STANDARDS - METAL AND FLEXIBLE* UNLESS OTHERWISE INDICATED.
- SEAL DUCTS TO THE FOLLOWING SEAL CLASSES ACCORDING TO SMACNA'S HVAC DUCT CONSTRUCTION STANDARDS - METAL AND FLEXIBLE*: 1-INCH WG, SEAL CLASS A.
- AVOID PASSING THROUGH OR ABOVE ELECTRICAL EQUIPMENT SPACES AND ENCLOSURES.
- CLEAN DUCT SYSTEMS BEFORE TESTING, ADJUSTING, AND BALANCING.

3.2 DUCTWORK SCHEDULE

- EXPOSED DUCTWORK IN ARCHITECTURALLY FINISHED SPACES- ELECTRO-GALVANIZED STEEL SHEET.
- CONCEALED DUCTWORK AND DUCTWORK IN UNFINISHED ARCHITECTURAL SPACES- GALVANIZED STEEL.

END OF SECTION

SECTION 233203 - HVAC EXHAUST FANS

PART 2 - PRODUCTS

2.1 PERFORMANCE REQUIREMENTS

- PRODUCTS SHALL BE LICENSED TO USE THE AMCA-CERTIFIED RATINGS SEAL.
- EXHAUST FANS SHALL COMPLY WITH UL 705. TYPE 1 FANS SHALL ALSO COMPLY WITH UL 762.
- TYPE 1 FANS TO BE DESIGNED FOR HIGH HEAT OPERATION AT 300°F.
- ELECTRICAL COMPONENTS, DEVICES, AND ACCESSORIES: LISTED AND LABELED AS DEFINED IN NFPA 70, BY A QUALIFIED TESTING AGENCY, AND MARKED FOR INTENDED LOCATION AND APPLICATION.

2.2 CENTRIFUGAL VENTILATORS

A. HOUSING: REMOVABLE, SPUN-ALUMINUM, DOME TOP AND OUTLET BAFFLE; SQUARE, ONE-PIECE, ALUMINUM BASE WITH VENTURI INLET CONE.

- UPBLAST UNITS: ALUMINUM DISCHARGE BAFFLE TO DIRECT DISCHARGE AIR UPWARD, WITH RAIN AND SNOW DRAINS.
- FAN WHEELS: ALUMINUM HUB AND WHEEL WITH BACKWARD-INCLINED BLADES.
- BELT-DRIVEN DRIVE ASSEMBLY: RESILIENTLY MOUNTED TO HOUSING.
 - FAN SHAFT: TURNED, GROUND, AND POLISHED STEEL; KEYED TO WHEEL HUB.
 - SHAFT BEARINGS: PERMANENTLY LUBRICATED, PERMANENTLY SEALED, SELF-ALIGNING BALL BEARINGS.
 - PULLEYS: CAST-IRON, ADJUSTABLE-PITCH MOTOR PULLEY.
 - FAN AND MOTOR ISOLATED FROM EXHAUST AIRSTREAM.

D. ACCESSORIES:

- DISCONNECT SWITCH: NON-FUSIBLE TYPE, WITH THERMAL-OVERLOAD PROTECTION, FACTORY WIRED THROUGH AN INTERNAL ALUMINUM CONDUIT.
- BIRD SCREENS: REMOVABLE, 1/2-INCH MESH, ALUMINUM OR BRASS WIRE.
- DAMPERS: COUNTERBALANCED, PARALLEL-BLADE, BACKDRAFT DAMPERS MOUNTED IN CURB BASE; FACTORY SET TO CLOSE WHEN FAN STOPS.
- MOTORIZED DAMPERS: PARALLEL-BLADE DAMPERS MOUNTED IN CURB BASE WITH ELECTRIC ACTUATOR; WIRED TO CLOSE WHEN FAN STOPS.

E. ROOF CURBS: 20 GAUGE GALVANIZED STEEL; MITERED AND WELDED CORNERS; 1-1/2-INCH THICK, RIGID, FIBERGLASS INSULATION ADHERED TO INSIDE WALLS, AND 1-1/2-INCH WOOD NAILER. SIZE AS REQUIRED TO SUIT ROOF OPENING AND FAN BASE.

- CONFIGURATION: SELF-FLASHING WITHOUT A CANT STRIP, WITH MOUNTING FLANGE.
- OVERALL HEIGHT: 12 INCHES FOR GENERAL EXHAUST FANS; 20 INCHES FOR KITCHEN EXHAUST FANS.
- PITCH MOUNTING: MANUFACTURE CURB FOR ROOF SLOPE.
- MOUNTING PEDESTAL: GALVANIZED STEEL WITH REMOVABLE ACCESS PANEL.
- TYPE 1 ROOF CURBS TO BE VENTED TYPE.
- TYPE 1 AND TYPE 2 ROOF CURBS TO BE HINGED TYPE.

F. CAPACITIES AND CHARACTERISTICS:

- SEE SCHEDULE.

G. MOTORS

AA. COMPLY WITH NEMA DESIGNATION, TEMPERATURE RATING, SERVICE FACTOR, ENCLOSURE TYPE, AND EFFICIENCY REQUIREMENTS FOR MOTORS.

1.1. MOTOR SIZES: MINIMUM SIZE AS INDICATED. IF NOT INDICATED, LARGE ENOUGH SO DRIVEN LOAD WILL NOT REQUIRE MOTOR TO OPERATE IN SERVICE FACTOR RANGE ABOVE 1.0.

AB. ENCLOSURE TYPE: TOTALLY ENCLOSED, FAN COOLED.

PART 3 - EXECUTION

3.1 INSTALLATION

- INSTALL UNITS WITH CLEARANCES FOR SERVICE AND MAINTENANCE.
- ROOF-MOUNTED UNITS: INSTALL ROOF CURB ON ROOF STRUCTURE, ACCORDING TO AIR GUIDELINE B, INSTALL AND SECURE ROOF-MOUNTED FANS ON CURBS, AND COORDINATE ROOF PENETRATIONS AND FLASHING WITH ROOF CONSTRUCTION.

END OF SECTION

SECTION 233713 - DIFFUSERS, REGISTERS, AND GRILLES

PART 1 - GENERAL

PART 2 - PRODUCTS

2.1 DIFFUSERS, REGISTERS, AND GRILLES:

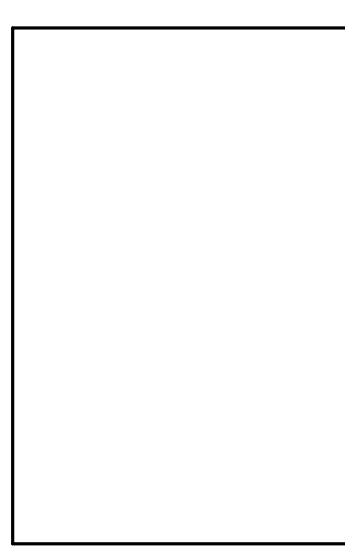
A. REFER TO SCHEDULES FOR FINISH TYPE, COLOR, MATERIAL, AND MOUNTING.

PART 3 - EXECUTION

3.1 INSTALLATION

- INSTALL DIFFUSERS, REGISTERS, AND GRILLES LEVEL AND PLUMB.
- CEILING-MOUNTED OUTLETS AND INLETS: DRAWINGS INDICATE GENERAL ARRANGEMENT OF DUCTS, FITTINGS, AND ACCESSORIES. MAKE FINAL LOCATIONS WHERE INDICATED, AS MUCH AS PRACTICAL. FOR UNITS INSTALLED IN LAY-IN CEILING PANELS, LOCATE UNITS IN THE CENTER OF PANEL UNLESS OTHERWISE INDICATED. WHERE ARCHITECTURAL FEATURES OR OTHER ITEMS CONFLICT WITH INSTALLATION, NOTIFY ARCHITECT FOR A DETERMINATION OF FINAL LOCATION.
- AFTER INSTALLATION, ADJUST DIFFUSERS, REGISTERS, AND GRILLES TO AIR PATTERNS INDICATED, OR AS DIRECTED, BEFORE STARTING AIR BALANCING.
 - END OF SECTION

ferris+sloane



CAVA

CAVA #010518 INDIANAPOLIS IN - IUPUI
801 W. 10TH STREET
INDIANAPOLIS, IN 46202
FOR CAVA
14 Ridge Square NW #500, WASHINGTON, DC 20016

AOR PROJECT NUMBER:
CAV054

ISSUE	DATE
5D SET	07/12/2024
PERMIT SET	08/23/2024
IFC SET	12/20/2024

MECHANICAL SPECIFICATIONS

SHEET:

M701



12/20/2024 9:18:10 AM

SPECIFICATIONS - DIVISION 23 - HVAC (CONTINUED)

SECTION 237339 - DIRECT-FIRED MAKE-UP AIR UNIT

PART 2 - PRODUCTS

2.1 PACKAGED UNITS

A. FACTORY-ASSEMBLED, PREWIRED, SELF-CONTAINED UNIT CONSISTING OF CABINET, SUPPLY FAN, CONTROLS, FILTERS, AND DIRECT-FIRED GAS FURNACE TO BE INSTALLED OUTSIDE THE BUILDING.

2.2 CABINET

A. CABINET: GALVANIZED-STEEL PANELS WITH LIFTING LUGS. CABINET SHALL BE FULLY WEATHERIZED FOR OUTDOOR INSTALLATION, HEAT-RESISTANT, BAKED-ENAMEL FINISH, VERTICAL-PATTERN, GALVANIZED-STEEL DISCHARGE PLENUM WITH DIFFUSERS INCORPORATING INDIVIDUALLY ADJUSTABLE VANES.

B. ROOF CURB: FULL-PERIMETER CURB OF SHEET METAL, MINIMUM 20 INCHES HIGH, WITH WOOD NAILER, NEOPRENE SEALING STRIP, AND WELDED Z-BAR FLASHING.

C. OUTDOOR-AIR INTAKE: GALVANIZED-STEEL HOOD WITH RAIN BAFFLES, BIRD SCREEN, AND FINISH TO MATCH CABINET, AND SIZED TO SUPPLY 100 PERCENT OUTDOOR AIR. GALVANIZED-STEEL, OPPOSED-BLADE MOTORIZED DAMPERS WITH VINYL BLADE SEALS AND STAINLESS-STEEL JAMB SEAL.

D. FILTERS: COMPLY WITH NFPA 90A: 1 INCH THICK.

2.3 SUPPLY-AIR FAN

A. FAN: CENTRIFUGAL, RATED ACCORDING TO AMCA 210; STATICALLY AND DYNAMICALLY BALANCED, GALVANIZED STEEL; MOUNTED ON SOLID-STEEL SHAFT.

B. MOTOR: TOTALLY ENCLOSED, SINGLE SPEED MOTOR.

C. DRIVE: V-BELT DRIVE WITH MATCHING FAN PULLEY AND ADJUSTABLE MOTOR SHEAVES AND BELT ASSEMBLY.

D. GAS PRESSURE GAUGE: 2-1/2 INCH DIAMETER AND 1/4 INCH THREAD SIZE.

2.4 DIRECT-FIRED GAS FURNACE

A. DESCRIPTION: FACTORY ASSEMBLED, PIPED, AND WIRED; AND COMPLYING WITH ANSI Z83.4, ANSI Z83.18, AND NFPA 54. CAST-IRON BURNER WITH STAINLESS-STEEL MIXING PLATES, SINGLE-STAGE CONTROL VALVE, FUEL-NATURAL GAS.

B. SAFETY CONTROLS: AIRFLOW PROVING SWITCH; HIGH-TEMPERATURE LIMIT; SAFETY LOCKOUT; REDUNDANT, AUTOMATIC, MAIN GAS VALVES; ELECTRIC PILOT VALVE; MODULATING TEMPERATURE CONTROL VALVE; MAIN AND PILOT GAS REGULATORS; MAIN AND PILOT MANUAL SHUTOFF VALVES; MAIN AND PILOT PRESSURE TAPS; AND HIGH-LOW GAS PRESSURE SWITCHES TO COMPLY WITH ANSI STANDARDS.

2.5 CONTROLS

A. FACTORY-WIRED, FUSE-PROTECTED CONTROL TRANSFORMER, CONNECTION FOR POWER SUPPLY AND FIELD-WIRED UNIT TO REMOTE CONTROL PANEL.

- 1. FAN CONTROL: INTERLOCK FAN TO START WITH EXHAUST FAN(S) AND WITH RTU COOLING CYCLE.
2. OUTDOOR-AIR DAMPER CONTROL: OUTDOOR-AIR DAMPER OPENS WHEN SUPPLY FAN STARTS, AND CLOSES WHEN FAN STOPS.
3. TEMPERATURE CONTROL: OPERATES GAS VALVE TO MAINTAIN SUPPLY-AIR TEMPERATURE.

2.6 INSTALLATION

A. INSTALL GAS-FIRED UNITS ACCORDING TO NFPA 54.

B. INSTALL ROOF CURB ON ROOF STRUCTURE, ACCORDING TO ARI GUIDELINE 8 OR NRCS "LOW-SLOPE MEMBRANE ROOFING CONSTRUCTION DETAILS MANUAL."

C. CONNECT GAS PIPING WITH SHUTOFF VALVE AND UNION AND WITH SUFFICIENT CLEARANCE FOR BURNER REMOVAL AND SERVICE.

D. DRAWINGS INDICATE THE GENERAL ARRANGEMENT OF DUCTS. CONNECT SUPPLY DUCTS TO DIRECT-FIRED MAU WITH FLEXIBLE DUCT CONNECTORS; FLEXIBLE DUCT CONNECTORS ARE SPECIFIED IN SECTION 233100 "HVAC DUCTS AND CASINGS."

END OF SECTION

SECTION 237413 - PACKAGED ROOFTOP UNITS

1.1 SUMMARY

A. THIS SECTION INCLUDES PACKAGED, ROOFTOP UNITS WITH THE FOLLOWING COMPONENTS AND ACCESSORIES:

- 1. DIRECT-EXPANSION COOLING.
2. HUMIDITY CONTROL WITH HOT-GAS REHEAT (OPTIONAL)
3. GAS FURNACE.
4. ECONOMIZER OUTDOOR-AND RETURN-AIR DAMPER SECTION.
5. INTEGRAL SPACE TEMPERATURE CONTROLS.
6. ROOF CURBS.

1.2 SECTION REQUIREMENTS

A. SUBMITTALS:

1. PRODUCT DATA: INCLUDE MANUFACTURER'S TECHNICAL DATA FOR EACH RTU, INCLUDING RATED CAPACITIES, DIMENSIONS, REQUIRED CLEARANCES, CHARACTERISTICS, FURNISHED SPECIALTIES, AND ACCESSORIES.

PART 2 - PRODUCTS

2.1 CASING

A. GENERAL FABRICATION REQUIREMENTS FOR CASINGS: FORMED AND REINFORCED INSULATED PANELS FABRICATED TO ALLOW REMOVAL FOR ACCESS TO INTERNAL PARTS AND COMPONENTS, WITH JOINTS BETWEEN SECTIONS SEALED.

B. EXTERIOR CASING MATERIAL: GALVANIZED STEEL WITH FACTORY-PAINTED FINISH, WITH PITCHED ROOF PANELS AND KNOCKOUTS WITH GROMMET SEALS FOR ELECTRICAL AND PIPING CONNECTIONS AND LIFTING LUGS.

1. CASING THICKNESS: 16 GAUGE THICK.

C. CASING INSULATION AND ADHESIVE: COMPLY WITH NFPA 90A.

- 1. MATERIALS: ASTM C 1071, TYPE I.
2. THICKNESS: 1/2 INCH
3. LINER MATERIALS SHALL HAVE AIR-STREAM SURFACE INSULATED WITH A MINIMUM 1/2-IN. THICK, MINIMUM 1 1/2 LB DENSITY, FLEXIBLE FIBERGLASS INSULATION BONDED WITH A PHENOLIC BINDER, NEOPRENE COATED ON THE AIR SIDE.
4. LINER ADHESIVE: COMPLY WITH ASTM C 916, TYPE I.

D. UNIT SHALL HAVE A THRU-THE-BASE GAS AND ELECTRICAL CONNECTIONS.

2.2 FANS

OPTION A OR B:

A. DIRECT-DRIVEN SUPPLY-AIR FANS: DOUBLE WIDTH, BACKWARD INCLINED, CENTRIFUGAL WITH PERMANENTLY LUBRICATED, MOTOR RESILIENTLY MOUNTED IN THE FAN INLET, ALUMINUM OR PAINTED-STEEL WHEELS, AND GALVANIZED-OR PAINTED-STEEL FAN SCROLLS.

B. BELT-DRIVEN SUPPLY-AIR FANS: DOUBLE WIDTH, FORWARD CURVED, CENTRIFUGAL WITH PERMANENTLY LUBRICATED, SINGLE-SPEED MOTOR INSTALLED ON AN ADJUSTABLE FAN BASE, RESILIENTLY MOUNTED IN THE CASING, ALUMINUM OR PAINTED-STEEL WHEELS, AND GALVANIZED-OR PAINTED-STEEL FAN SCROLLS.

C. CONDENSER-COIL FAN: DIRECT DRIVE, PROPELLER, MOUNTED ON SHAFT OF PERMANENTLY LUBRICATED MOTOR WITH THERMAL OVERLOAD PROTECTION.

D. POWER EXHAUST: FORWARD CURVED, SHAFT MOUNTED ON PERMANENTLY LUBRICATED MOTOR.

2.3 COILS

A. SUPPLY-AIR REFRIGERANT COIL:

- 1. ALUMINUM-PLATE FIN AND SEAMLESS INTERNALLY GROOVED COPPER TUBE IN STEEL CASING WITH EQUALIZING-TYPE VERTICAL DISTRIBUTOR.
2. POLYMER STRIP SHALL PREVENT ALL COPPER COIL FROM CONTACTING STEEL COIL FRAME OR CONDENSATE PAN.
3. CATHODIC EPOXY COATING.
4. CONDENSATE DRAIN PAN: GALVANIZED STEEL WITH CORROSION-RESISTANT COATING FORMED WITH FITCH AND DRAIN CONNECTIONS.

B. OUTDOOR-AIR REFRIGERANT COIL:

- 1. ALUMINUM-PLATE FIN AND SEAMLESS INTERNALLY GROOVED COPPER TUBE IN STEEL CASING WITH EQUALIZING-TYPE VERTICAL DISTRIBUTOR.
2. POLYMER STRIP SHALL PREVENT ALL COPPER COIL FROM CONTACTING STEEL COIL FRAME OR CONDENSATE PAN.
3. CATHODIC EPOXY COATING.

C. HOT-GAS REHEAT REFRIGERANT COIL (OPTIONAL):

- 1. ALUMINUM-PLATE FIN AND SEAMLESS INTERNALLY GROOVED COPPER TUBE IN STEEL CASING WITH EQUALIZING-TYPE VERTICAL DISTRIBUTOR.
2. POLYMER STRIP SHALL PREVENT ALL COPPER COIL FROM CONTACTING STEEL COIL FRAME OR CONDENSATE PAN.
3. CATHODIC EPOXY COATING.

2.4 REFRIGERANT CIRCUIT COMPONENTS

A. NUMBER OF REFRIGERANT CIRCUITS: TWO

B. COMPRESSOR: HERMETIC, SCROLL, MOUNTED ON VIBRATION ISOLATORS; WITH INTERNAL OVERCURRENT AND HIGH-TEMPERATURE PROTECTION, INTERNAL PRESSURE RELIEF AND CRANKCASE HEATER.

C. REFRIGERATION SPECIALTIES:

- 1. REFRIGERANT: R-410A
2. EXPANSION VALVE WITH REPLACEABLE THERMOSTATIC ELEMENT.
3. REFRIGERANT FILTER/DRYER.
4. MANUAL-RESET HIGH-PRESSURE SAFETY SWITCH.
5. AUTOMATIC-RESET LOW-PRESSURE SAFETY SWITCH.
6. MINIMUM OFF-TIME RELAY.
7. AUTOMATIC-RESET COMPRESSOR MOTOR THERMAL OVERLOAD.
8. BRASS SERVICE VALVES INSTALLED IN COMPRESSOR SUCTION AND LIQUID LINES.
9. LOW-AMBIENT KIT HIGH-PRESSURE SENSOR.
10. HOT-GAS REHEAT SOLENOID VALVE WITH A REPLACEABLE MAGNETIC COIL.

2.5 AIR FILTRATION

A. PROVIDE 2" THROW-AWAY FIBERGLASS FILTERS.

2.6 GAS FURNACE

A. BURNERS: IN-SHOT TYPE CONSTRUCTED OF ALUMINUM-COATED STEEL.

- 1. FUEL: NATURAL GAS.
2. IGNITION: DIRECT SPARK IGNITION (DSI). VERIFY AVAILABILITY OF HIGH-ALTITUDE FEATURE WITH MANUFACTURERS.
3. HIGH-ALTITUDE KIT: FOR PROJECT ELEVATIONS MORE THAN 2,000 FEET ABOVE SEA LEVEL.

B. HEAT-EXCHANGER AND DRAIN PAN: STAINLESS STEEL.

C. INDUCED DRAFT COMBUSTION BLOWER.

D. SAFETY CONTROLS:

- 1. GAS CONTROL VALVE: TWO STAGE.
2. GAS TRAIN: SINGLE-BODY, REGULATED, REDUNDANT, 24-V AC GAS VALVE ASSEMBLY CONTAINING PILOT SOLENOID VALVE, PILOT FILTER, PRESSURE REGULATOR, PILOT SHUTOFF, AND MANUAL SHUTOFF.

2.7 DAMPERS

A. OUTDOOR AND RETURN AIR MIXING DAMPERS: PARALLEL OR OPPOSED-BLADE GALVANIZED-STEEL DAMPERS MECHANICALLY FASTENED TO CADMIUM PLATED FOR GALVANIZED-STEEL OPERATING ROD IN REINFORCED CABINET. CONNECT OPERATING RODS WITH COMMON LINKAGE AND INTERCONNECT LINKAGES SO DAMPERS OPERATE SIMULTANEOUSLY.

- 1. DAMPER MOTOR: MODULATING WITH ADJUSTABLE MINIMUM POSITION.
2. RELIEF AIR DAMPER: GRAVITY ACTUATED, WITH BIRD SCREEN AND HOOD.

2.8 ELECTRICAL POWER CONNECTION

A. PROVIDE FOR SINGLE CONNECTION OF POWER TO UNIT WITH UNIT-MOUNTED DISCONNECT SWITCH ACCESSIBLE FROM OUTSIDE UNIT AND CONTROL-CIRCUIT TRANSFORMER WITH BUILT-IN OVERCURRENT PROTECTION.

2.9 CONTROLS

A. BASIC UNIT CONTROLS:

- 1. CONTROL-VOLTAGE TRANSFORMER.
2. WALL-MOUNTED THERMOSTAT OR SENSOR WITH THE FOLLOWING FEATURES:
a. HEAT-COOL-OFF SWITCH.
b. FAN ON-AUTO SWITCH.
c. FAN-SPEED SWITCH.
d. AUTOMATIC CHANGEOVER.
e. ADJUSTABLE DEADBAND.
f. EXPOSED SET POINT.
g. EXPOSED INDICATION.
h. DEGREE INDICATION.
i. UNOCCUPIED-PERIOD-OVERRIDE PUSH BUTTON.
j. DATA ENTRY AND ACCESS PORT TO INPUT TEMPERATURE AND HUMIDITY SET POINTS, OCCUPIED AND UNOCCUPIED PERIODS, AND OUTPUT ROOM TEMPERATURE AND HUMIDITY, SUPPLY-AIR TEMPERATURE, OPERATING MODE, AND STATUS.
3. WALL-MOUNTED HUMIDISTAT OR SENSOR WITH THE FOLLOWING FEATURES:
a. EXPOSED SET POINT.
b. EXPOSED INDICATION.
4. REMOTE WALL-MOUNTED ANNUNCIATOR PANEL WITH KEYED ACCESS FOR EACH UNIT:
a. LIGHTS TO INDICATE POWER ON, UNIT ALARM OR FAILURE, SMOKE DETECTION.

B. DDC CONTROLLER:

- 1. CONTROLLER SHALL HAVE VOLATILE-MEMORY BACKUP.
2. SAFETY CONTROL OPERATION:

- a. SMOKE DETECTORS: STOP FAN AND CLOSE OUTDOOR-AIR DAMPER IF SMOKE IS DETECTED. PROVIDE ADDITIONAL CONTACTS FOR ALARM INTERFACE TO FIRE ALARM CONTROL PANEL.
b. FIRE ALARM CONTROL PANEL INTERFACE WHERE APPLICABLE.
c. LOW-DISCHARGE TEMPERATURE: STOP FAN AND CLOSE OUTDOOR-AIR DAMPER IF SUPPLY AIR TEMPERATURE IS LESS THAN 40°F.
d. DEFROST CONTROL: FOR CONDENSER COIL: PRESSURE DIFFERENTIAL SWITCH TO INITIATE DEFROST SEQUENCE.

3. UNIT SHALL BE CAPABLE OF DIRECT COMMUNICATION WITH GENERIC OPEN PROTOCOL, SUCH AS BAGNET MS/TP, LONTALK, OR MODBUS. THIS WILL ALLOW THE UNIT TO INTEGRATE WITH A FACILITY ENERGY MANAGEMENT SYSTEM.

4. SCHEDULED OPERATION: OCCUPIED AND UNOCCUPIED PERIODS ON SEVEN-DAY CLOCK WITH A MINIMUM OF FOUR PROGRAMMABLE PERIODS PER DAY.

- 5. UNOCCUPIED PERIOD:
a. HEATING SETBACK: 10°F.
b. COOLING SETBACK: SYSTEM OFF.
c. OVERRIDE OPERATION: TWO HOURS.

- 6. SUPPLY FAN OPERATION:
a. OCCUPIED PERIODS: RUN FAN CONTINUOUSLY.
b. UNOCCUPIED PERIODS: CYCLE FAN TO MAINTAIN SETBACK TEMPERATURE.

- 7. REFRIGERANT CIRCUIT OPERATION:
a. OCCUPIED PERIODS: CYCLE OR STAGE COMPRESSORS, AND OPERATE HOT-GAS BYPASS TO MATCH COMPRESSOR OUTPUT TO COOLING LOAD TO MAINTAIN ROOM TEMPERATURE AND HUMIDITY. CYCLE CONDENSER FANS TO MAINTAIN MAXIMUM HOT-GAS PRESSURE. OPERATE LOW-AMBIENT CONTROL KIT TO MAINTAIN MINIMUM HOT-GAS PRESSURE.
b. UNOCCUPIED PERIODS: CYCLE COMPRESSORS AND CONDENSER FANS FOR HEATING TO MAINTAIN SETBACK TEMPERATURE.

- 8. HOT-GAS REHEAT-COIL OPERATION (OPTIONAL):
a. OCCUPIED PERIODS: HUMIDISTAT OPENS HOT-GAS VALVE TO PROVIDE HOT-GAS REHEAT, AND CYCLES COMPRESSOR.
b. UNOCCUPIED PERIODS: REHEAT NOT REQUIRED.

- 9. GAS FURNACE OPERATION:
a. OCCUPIED PERIODS: STAGE BURNER TO MAINTAIN ROOM TEMPERATURE.
b. UNOCCUPIED PERIODS: CYCLE BURNER TO MAINTAIN SETBACK TEMPERATURE.

- 10. FIXED MINIMUM OUTDOOR-AIR DAMPER OPERATION:
a. OCCUPIED PERIODS: OPEN TO 25 PERCENT.
b. UNOCCUPIED PERIODS: CLOSE THE OUTDOOR-AIR DAMPER.

- 11. ECONOMIZER OUTDOOR-AIR DAMPER OPERATION:
a. OCCUPIED PERIODS: OPEN TO 25 PERCENT FIXED MINIMUM INTAKE, AND MAXIMUM 100 PERCENT OF THE FAN CAPACITY TO COMPLY WITH ASHRAE CYCLE II. CONTROLLER SHALL PERMIT AIR-SIDE ECONOMIZER OPERATION WHEN OUTDOOR AIR IS LESS THAN 60 ° F. USE MIXED-AIR TEMPERATURE AND SELECT BETWEEN OUTDOOR-AIR AND RETURN-AIR ENTHALPY TO ADJUST MIXING DAMPERS DURING ECONOMIZER CYCLE OPERATION. LOCK OUT COOLING.
b. UNOCCUPIED PERIODS: CLOSE OUTDOOR-AIR DAMPER AND OPEN RETURN-AIR DAMPER.

2.10 ACCESSORIES

A. DUPLEX, 115-V, GROUND-FAULT-INTERRUPTER OUTLET WITH 15-A OVERCURRENT PROTECTION. INCLUDE TRANSFORMER IF REQUIRED.

B. LOW-AMBIENT KIT STAGED DOWN TO 0°F.

C. FILTER DIFFERENTIAL PRESSURE SWITCH WITH SENSOR TUBING ON EITHER SIDE OF FILTER. SET FOR FINAL FILTER PRESSURE LOSS.

D. HAIL GUARDS OF GALVANIZED STEEL, PAINTED TO MATCH CASING.

E. DUCT MOUNTED SMOKE DETECTOR IN RETURN AIR STREAM CAPABLE OF SHUTTING DOWN THE UNIT IN THE PRESENCE OF SMOKE DETECTION.

2.11 ROOF CURBS

A. MATERIALS: GALVANIZED STEEL WITH CORROSION-PROTECTION COATING, WATERTIGHT GASKETS, AND FACTORY-INSTALLED WOOD NAILER; COMPLYING WITH NRCA STANDARDS.

- 1. CURB INSULATION AND ADHESIVE: COMPLY WITH NFPA 90A OR NFPA 90B.
a. MATERIALS: ASTM C 1071, TYPE I OR II.
b. THICKNESS: 1-1/2 INCHES.

- 2. APPLICATION: FACTORY APPLIED WITH ADHESIVE AND MECHANICAL FASTENERS TO THE INTERNAL SURFACE OF CURB.
a. LINER ADHESIVE: COMPLY WITH ASTM C 916, TYPE I.
b. MECHANICAL FASTENERS: GALVANIZED STEEL, SUITABLE FOR ADHESIVE ATTACHMENT, MECHANICAL ATTACHMENT, OR WELDING ATTACHMENT TO DUCT WITHOUT DAMAGING LINER WHEN APPLIED AS RECOMMENDED BY MANUFACTURER AND WITHOUT CAUSING LEAKAGE IN CABINET.
c. LINER MATERIALS SHALL HAVE AIR-STREAM SURFACE INSULATED WITH A MINIMUM 1/2-IN. THICK, MINIMUM 1 1/2 LB DENSITY, FLEXIBLE FIBERGLASS INSULATION BONDED WITH A PHENOLIC BINDER, NEOPRENE COATED ON THE AIR SIDE.
d. LINER ADHESIVE: COMPLY WITH ASTM C 916, TYPE I.

B. CURB HEIGHT: 14 INCHES TYPICAL UNO. PROVIDE 24 INCH CURB IN AREAS WITH EXPECTED HEAVY SNOWFALL.

PART 3 - EXECUTION

3.1 EXAMINATION

A. EXAMINE SUBSTRATES, AREAS, AND CONDITIONS, WITH INSTALLER PRESENT, FOR COMPLIANCE WITH REQUIREMENTS FOR INSTALLATION TOLERANCES AND OTHER CONDITIONS AFFECTING PERFORMANCE OF RTUS.

B. EXAMINE ROUGH-IN FOR RTUS TO VERIFY ACTUAL LOCATIONS OF PIPING AND DUCT CONNECTIONS BEFORE EQUIPMENT INSTALLATION.

C. EXAMINE ROOFS FOR SUITABLE CONDITIONS WHERE RTUS WILL BE INSTALLED.

D. PROCEED WITH INSTALLATION ONLY AFTER UNSATISFACTORY CONDITIONS HAVE BEEN CORRECTED.

3.2 INSTALLATION

A. ROOF CURB: INSTALL ON ROOF STRUCTURE, LEVEL AND SECURE. INSTALL RTUS ON CURBS AND COORDINATE ROOF PENETRATIONS AND FLASHING WITH ROOF CONSTRUCTION, RTUS TO UPPER CURB RAIL, AND SECURE CURB BASE TO ROOF FRAMING OR CONCRETE BASE WITH ANCHOR BOLTS.

3.3 CONNECTIONS

A. THE FOLLOWING ARE SPECIFIC CONNECTION REQUIREMENTS:

- 1. INSTALL DUCTS TO TERMINATION AT TOP OF ROOF CURB.
2. REMOVE ROOF DECKING ONLY AS REQUIRED FOR PASSAGE OF DUCTS. DO NOT CUT OUT DECKING UNDER ENTIRE ROOF CURB.

3.4 COORDINATION

A. CONTRACTOR TO COORDINATE WITH KITCHEN EQUIPMENT SUPPLIER TO ENSURE THAT THE RTUS ARE COORDINATED WITH THE KITCHEN EQUIPMENT, PARTICULARLY THE EXHAUST HOODS AND THE MAKE-UP AIR UNIT, TO PROPERLY PRESSURIZE THE BUILDING/SPACE.

B. CONTRACTOR TO ENSURE THAT ALL THERMOSTATS AND SENSORS ARE COMPATIBLE WITH THE RTU CONTROLS.

3.5 FIELD QUALITY CONTROL

A. MANUFACTURER'S FIELD SERVICE: ENGAGE A FACTORY-AUTHORIZED SERVICE REPRESENTATIVE TO INSPECT, TEST, AND ADJUST COMPONENTS, ASSEMBLIES, AND EQUIPMENT INSTALLATIONS, INCLUDING CONNECTIONS. REPORT RESULTS IN WRITING.

B. PERFORM TESTS AND INSPECTIONS AND PREPARE TEST REPORTS.

- 1. MANUFACTURER'S FIELD SERVICE: ENGAGE A FACTORY-AUTHORIZED SERVICE REPRESENTATIVE TO INSPECT COMPONENTS, ASSEMBLIES, AND EQUIPMENT INSTALLATIONS, INCLUDING CONNECTIONS, AND TO ASSIST IN TESTING. REPORT RESULTS IN WRITING.

C. TESTS AND INSPECTIONS:

- 1. AFTER INSTALLING RTUS AND AFTER ELECTRICAL CIRCUITRY HAS BEEN ENERGIZED, TEST UNITS FOR COMPLIANCE WITH REQUIREMENTS.
2. OPERATIONAL TEST: AFTER ELECTRICAL CIRCUITRY HAS BEEN ENERGIZED, START UNITS TO CONFIRM PROPER MOTOR ROTATION AND UNIT OPERATION.
3. TEST AND ADJUST CONTROLS AND SAFETIES, REPLACE DAMAGED AND MALFUNCTIONING CONTROLS AND EQUIPMENT.

D. REMOVE AND REPLACE MALFUNCTIONING UNITS AND RETEST AS SPECIFIED ABOVE.

3.6 STARTUP SERVICE

A. ENGAGE A FACTORY-AUTHORIZED SERVICE REPRESENTATIVE TO PERFORM STARTUP SERVICE.

B. COMPLETE INSTALLATION AND STARTUP CHECKS ACCORDING TO MANUFACTURER'S WRITTEN INSTRUCTIONS AND DO THE FOLLOWING:

- 1. INSPECT FOR VISIBLE DAMAGE TO UNIT CASING, FURNACE COMBUSTION CHAMBER, COMPRESSOR, COILS, AND FANS.
2. VERIFY THAT LABELS ARE CLEARLY VISIBLE, CLEARANCES HAVE BEEN PROVIDED FOR SERVICING, CONTROLS ARE CONNECTED AND OPERABLE, AND FILTERS ARE INSTALLED.
3. CLEAN CONDENSER COIL AND FURNACE AND INSPECT FOR CONSTRUCTION DEBRIS.
4. REMOVE PACKING FROM VIBRATION ISOLATORS.
5. VERIFY LUBRICATION ON FAN AND MOTOR BEARINGS.
6. INSPECT FAN-WHEEL ROTATION FOR MOVEMENT IN CORRECT DIRECTION WITHOUT VIBRATION AND BINDING.
7. ADJUST FAN BELTS TO PROPER ALIGNMENT AND TENSION.
8. START UNIT ACCORDING TO MANUFACTURER'S WRITTEN INSTRUCTIONS.
a. INSPECT AND RECORD PERFORMANCE OF INTERLOCKS AND PROTECTIVE DEVICES; VERIFY SEQUENCES.
10. OPERATE UNIT FOR AN INITIAL PERIOD AS RECOMMENDED OR REQUIRED BY MANUFACTURER.

11. PERFORM THE FOLLOWING OPERATIONS FOR BOTH MINIMUM AND MAXIMUM FIRING. ADJUST BURNER FOR PEAK EFFICIENCY.
a. MEASURE GAS PRESSURE ON MAIN OLD.
b. INSPECT OPERATION OF POWER VENTS.
c. MEASURE SUPPLY-AIR TEMPERATURE AND VOLUME WHEN BURNER IS AT MAXIMUM FIRING RATE AND WHEN BURNER IS OFF. CALCULATE USEFUL HEAT TO SUPPLY AIR.

20. ADJUST AND INSPECT HIGH-TEMPERATURE LIMITS.

21. INSPECT OUTDOOR-AIR DAMPERS FOR PROPER STROKE AND INTERLOCK WITH RETURN-AIR DAMPERS.

22. INSPECT CONTROLS FOR CORRECT SEQUENCING OF HEATING, MIXING DAMPERS, REFRIGERATION, AND NORMAL AND EMERGENCY SHUTDOWN.

23. SIMULATE MAXIMUM COOLING DEMAND AND INSPECT THE FOLLOWING:
a. COMPRESSOR REFRIGERANT SUCTION AND HOT-GAS PRESSURES.
b. SHORT CIRCUITING OF AIR THROUGH CONDENSER COIL OR FROM CONDENSER FANS TO OUTDOOR-AIR INTAKE.

27. VERIFY OPERATION OF REMOTE PANEL INCLUDING PILOT-LIGHT OPERATION AND FAILURE MODES. INSPECT THE FOLLOWING:
a. HIGH-TEMPERATURE LIMIT ON GAS-FIRED HEAT EXCHANGER.
b. LOW-TEMPERATURE SAFETY OPERATION.
c. FILTER HIGH-PRESSURE DIFFERENTIAL ALARM.
d. ECONOMIZER TO MINIMUM OUTDOOR-AIR CHANGEOVER.
e. RELIEF-AIR FAN OPERATION.
f. SMOKE ALARMS.

28. AFTER STARTUP AND PERFORMANCE TESTING AND PRIOR TO SUBSTANTIAL COMPLETION, REPLACE EXISTING FILTERS WITH NEW FILTERS.

3.7 CLEANING AND ADJUSTING

A. OCCUPANCY ADJUSTMENTS: WHEN REQUESTED WITHIN 12 MONTHS OF DATE OF SUBSTANTIAL COMPLETION, PROVIDE ON-SITE ASSISTANCE IN ADJUSTING SYSTEM TO SUIT ACTUAL OCCUPIED CONDITIONS. PROVIDE UP TO TWO VISITS TO SITE DURING OTHER-THAN-NORMAL OCCUPANCY HOURS FOR THIS PURPOSE.

B. AFTER COMPLETING SYSTEM INSTALLATION AND TESTING, ADJUSTING, AND BALANCING RTU AND AIR-DISTRIBUTION SYSTEMS, CLEAN FILTER HOUSINGS AND INSTALL NEW FILTERS.

12/20/2024 9:18:10 AM

ferris+sloane

100 N. Howard Street, Suite 450, Spokane, WA 99201

CAVA

CAVA #010518 INDIANAPOLIS IN - IUPUI
801 W. 10TH STREET
INDIANAPOLIS, IN 46202
FOR CAVA
14 Ridge Square NW #500, WASHINGTON, DC 20016

ADR PROJECT NUMBER: CAV054

Table with 2 columns: ISSUE, DATE. Rows: SD SET 07/12/2024, PERMIT SET 08/23/2024, IFC SET 12/20/2024.

MECHANICAL SPECIFICATIONS

SHEET:

M702



2800 15th Ave SE | Suite 110 | Bellevue, WA 98007
T: 425.736.4100 | www.rtmec.com