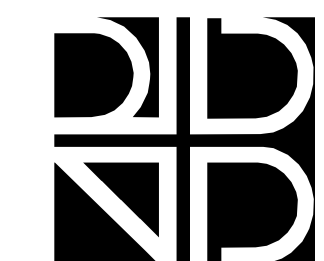


1 5TH LEVEL OVERALL MECHANICAL PLAN
 M-1.01.00 1" = 40'-0"



GREATER ORLANDO AVIATION AUTHORITY

V01050
 Landside Terminal
 Levels 4 and 5
 HYATT CONTINENTAL
 BALLROOM &
 PRE-FUNCTION RENO
 ORLANDO INTERNATIONAL AIRPORT



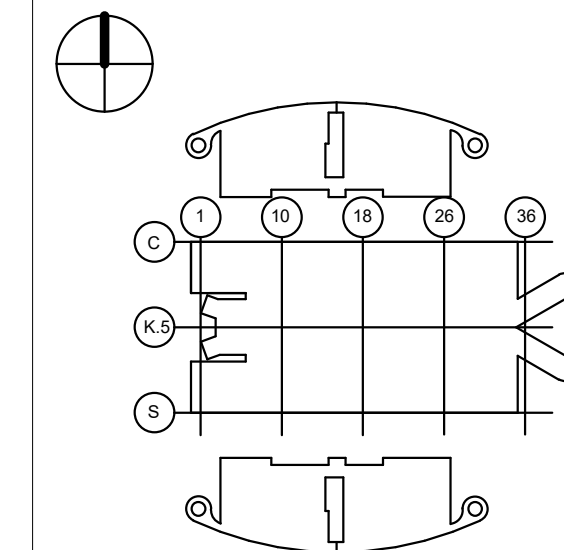
rhodes + brito
 ARCHITECTS
 605 E ROBINSON ST, SUITE 750
 ORLANDO, FL 32801
 FBAlD Lic: AR0014284



This item has been electronically signed and sealed by the individual named below, using a dated Digital Signature in the space below, per F.A.C. Rule 61G15-23.004. Printed copies of this document are not considered signed and sealed and the signature must be verified on any electronic copies.

Revisions

No.	Date	Description



Key Plan

Project No.: 19013.0001
 Designed By: OD
 Drawn By: AP
 Checked By: OD
 Issue Date: 02/20/2025
 Drawing Scale: 1" = 40'-0"
 Drawing Title:

**MECHANICAL PLAN -
 OVERALL - LEVEL 5**

Drawing No.
M-1.01.00



1
M-1.01.01
1/8" = 1'-0"

5TH LEVEL BALLROOM MECHANICAL PLAN



GREATER ORLANDO AVIATION AUTHORITY

V01050
 Landside Terminal
 Levels 4 and 5
 HYATT CONTINENTAL
 BALLROOM &
 PRE-FUNCTION RENO
 ORLANDO INTERNATIONAL AIRPORT



rhodes + brito
 ARCHITECTS
 605 E ROBINSON ST, SUITE 750
 ORLANDO, FL 32801
 FBAlD Lic: AR0014284

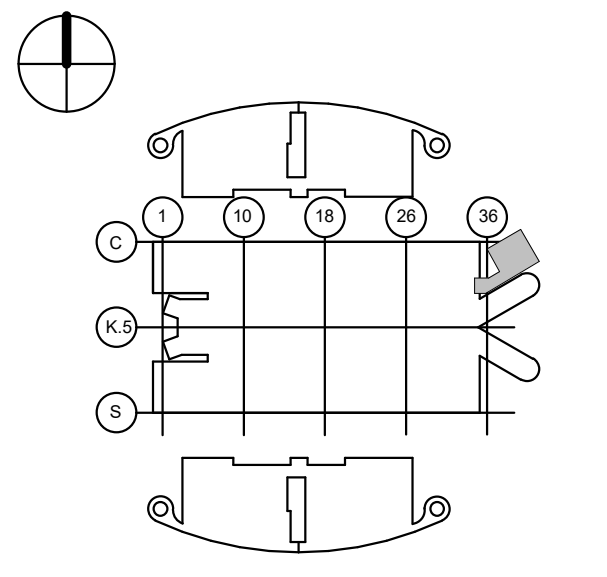


TLC ENGINEERING SOLUTIONS
 255 S. Orange Avenue
 Suite 1650
 Orlando, FL 32801
 P 407.841.9050
 CCA 15
 www.tlc-engineers.com
 TLC No.: 119108
 THINK. LISTEN. CREATE.

This item has been electronically signed and sealed by the individual named below, using a dated Digital Signature in the space below, per F.A.C. Rule 61G15-23.004. Printed copies of this document are not considered signed and sealed and the signature must be verified on any electronic copies.

Revisions

No.	Date	Description



Key Plan

Project No.: 19013.0001
 Designed By: OD
 Drawn By: AP
 Checked By: OD
 Issue Date: 02/20/2025
 Drawing Scale: 1/8" = 1'-0"
 Drawing Title:

**MECHANICAL PLAN -
 LEVEL 5**

Drawing No.
M-1.01.01

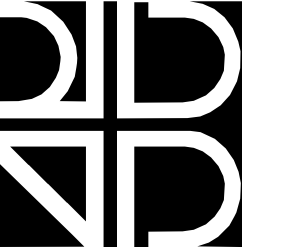


GREATER ORLANDO AVIATION AUTHORITY

V01050
Landside Terminal
Levels 4 and 5

HYATT CONTINENTAL
BALLROOM &
PRE-FUNCTION RENO

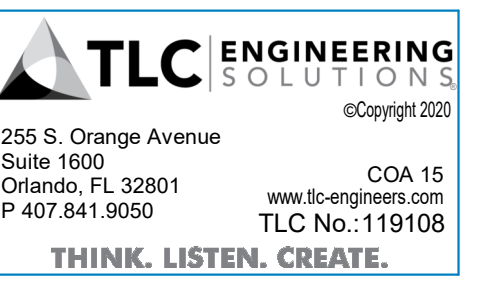
ORLANDO INTERNATIONAL AIRPORT



rhodes + brito
ARCHITECTS

605 E ROBINSON ST, SUITE 750
ORLANDO, FL 32801

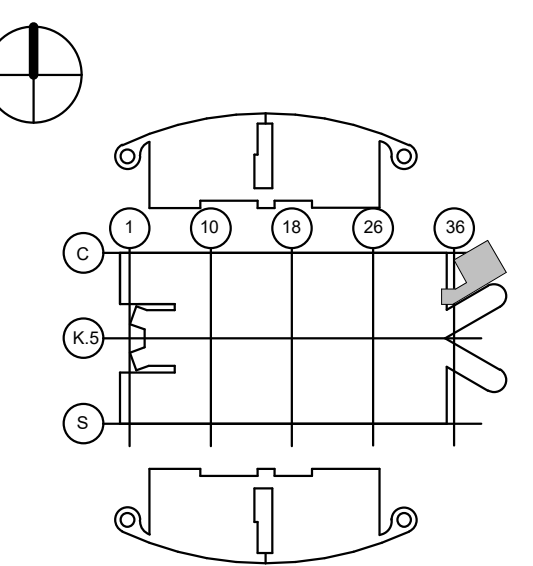
FBAID Lic: AR0014284



This item has been electronically signed and sealed by the individual named below, using a dated Digital Signature in the space below, per F.A.C. Rule 61G15-23.004. Printed copies of this document are not considered signed and sealed and the signature must be verified on any electronic copies.

Revisions

No.	Date	Description



Key Plan

Project No.: 19013.0001

Designed By: OD

Drawn By: AP

Checked By: OD

Issue Date: 02/20/2025

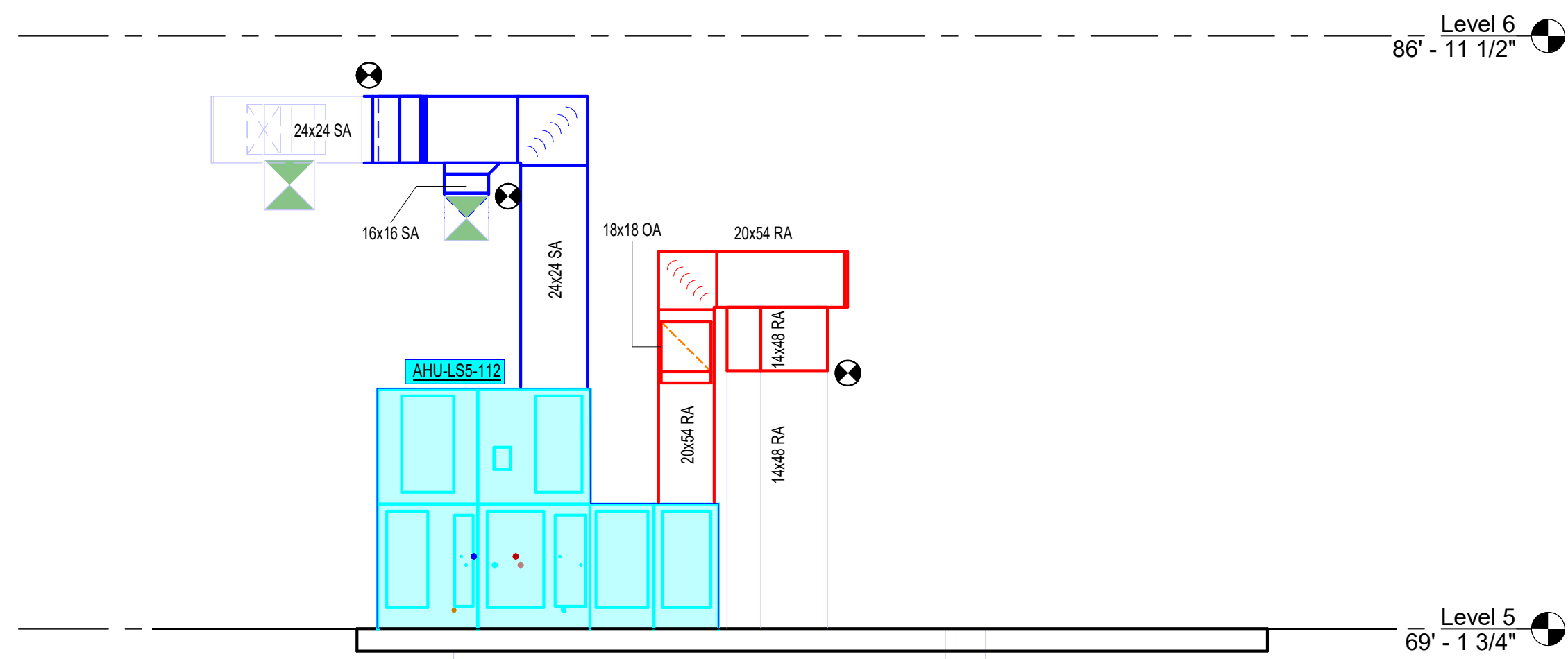
Drawing Scale: 1/4" = 1'-0"

Drawing Title:

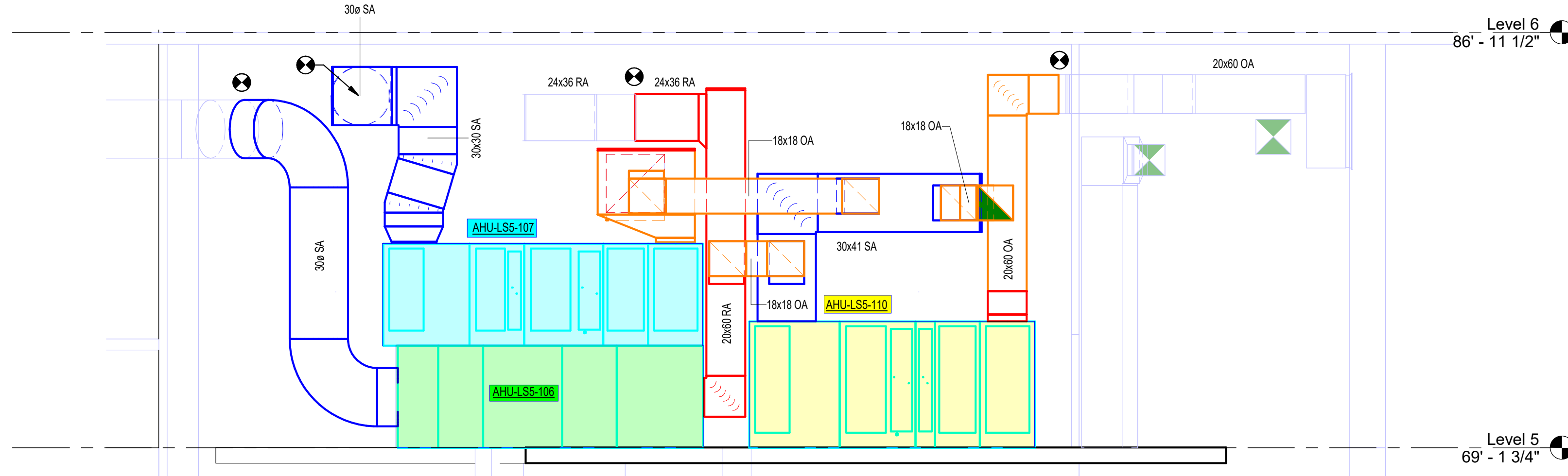
MECHANICAL
ENLARGED PLANS -
S.W. MECH. ROOM -
LEVEL 5

Drawing No.

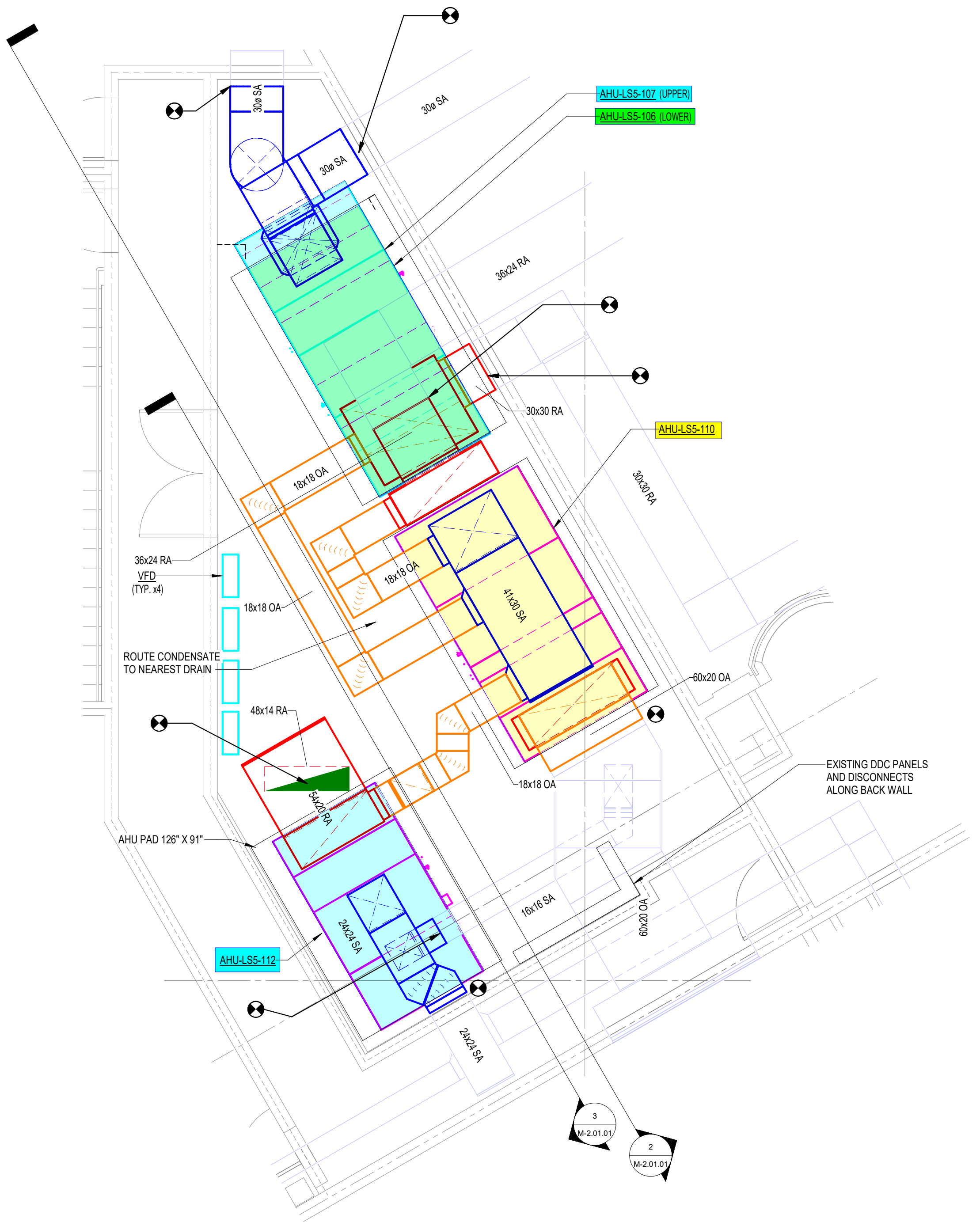
M-2.01.01



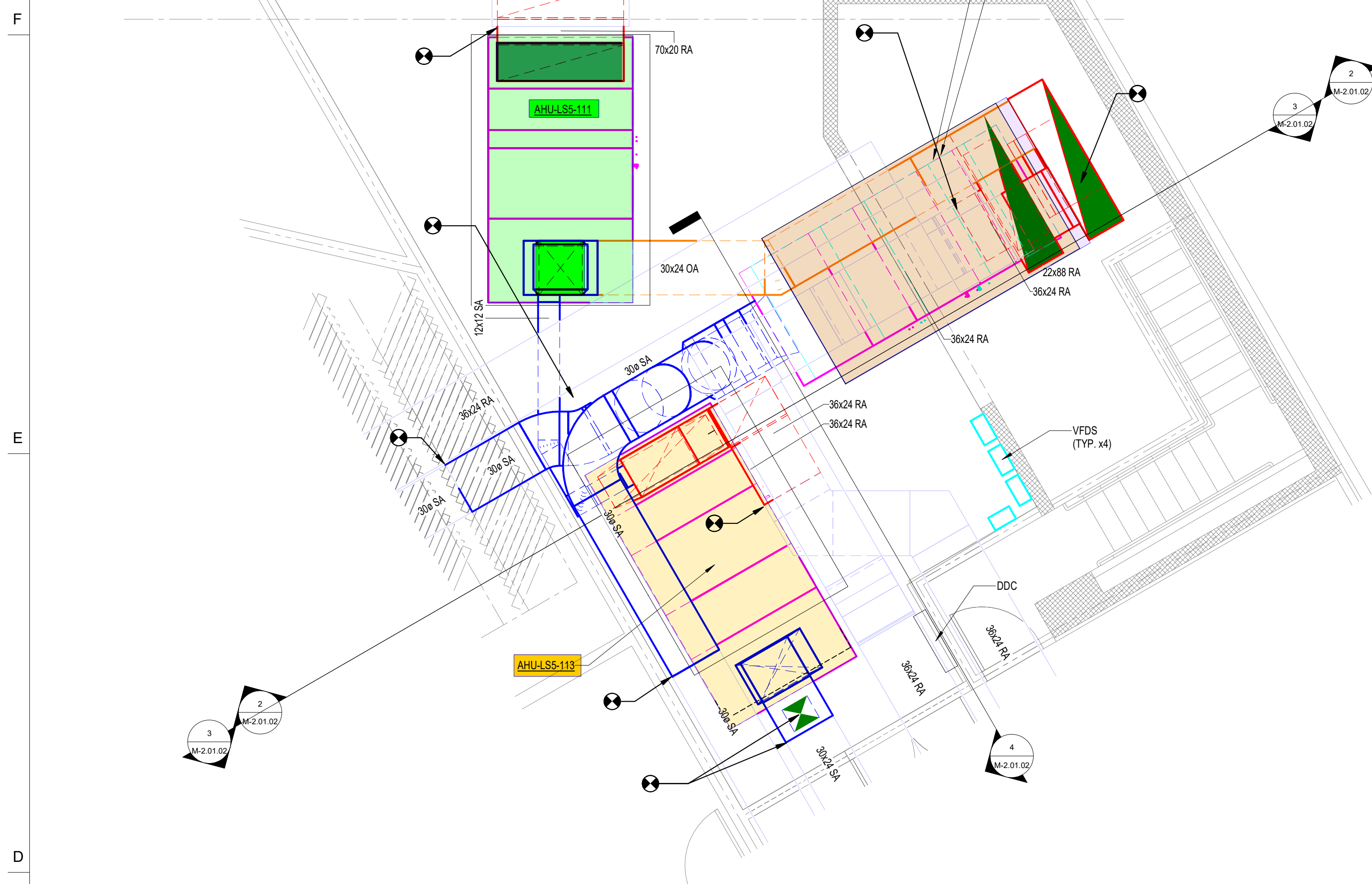
3 AHU-LS5-112 SECTION
M-2.01.01 1/4" = 1'-0"



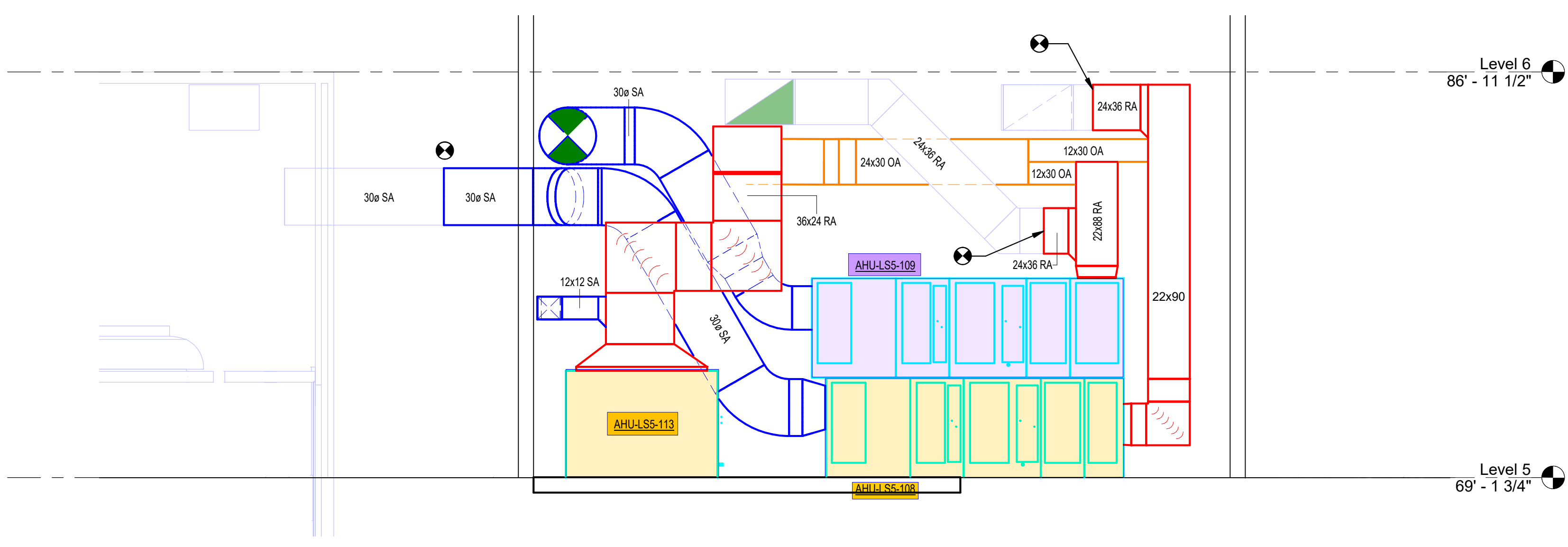
2 AHU-LS5-106, 107, & 110 SECTION
M-2.01.01 1/4" = 1'-0"



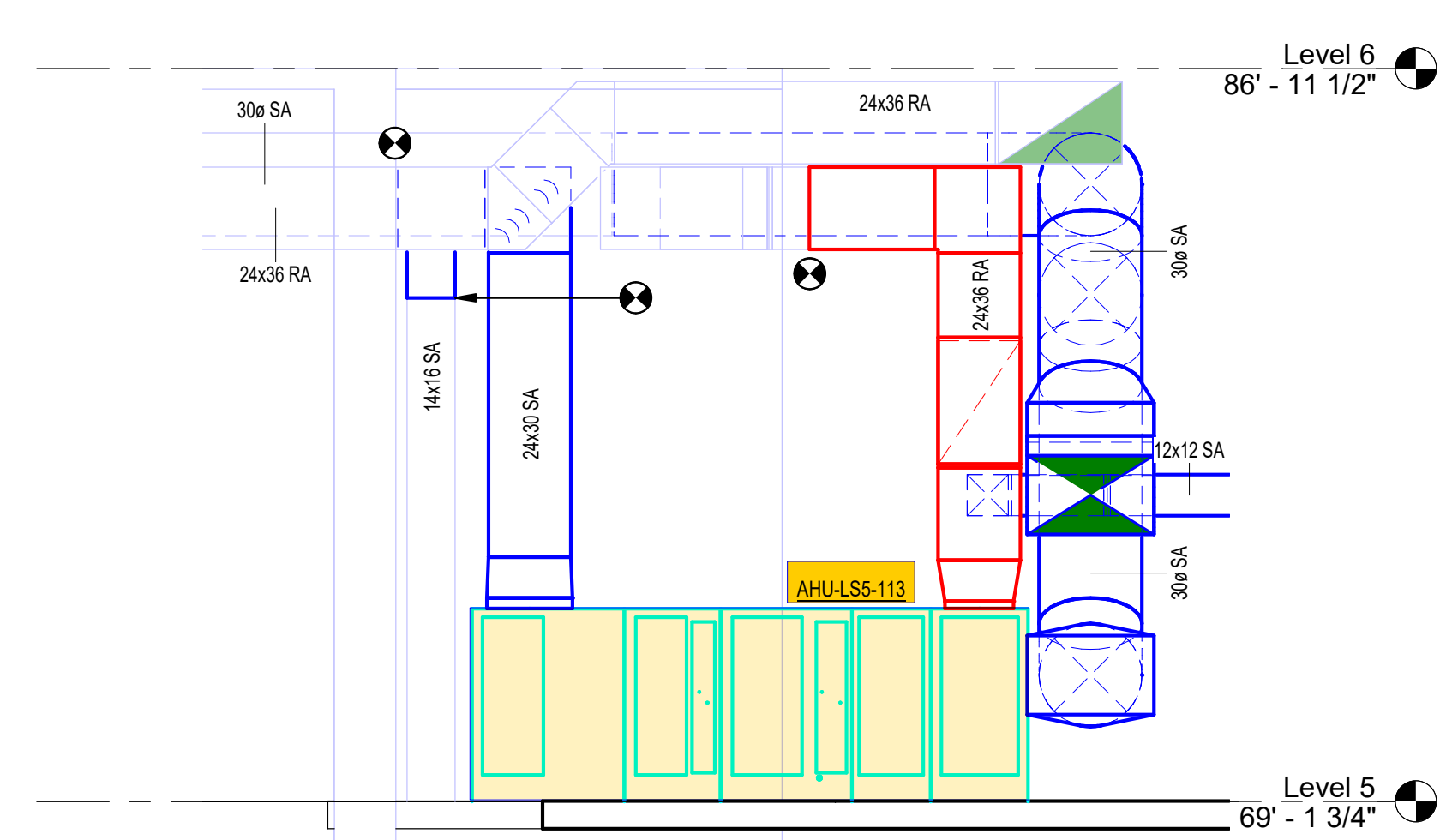
1 FIFTH LEVEL BALLROOM HVAC PLAN - AREA D - S.W. MECH. ROOM
M-2.01.01 1/4" = 1'-0"



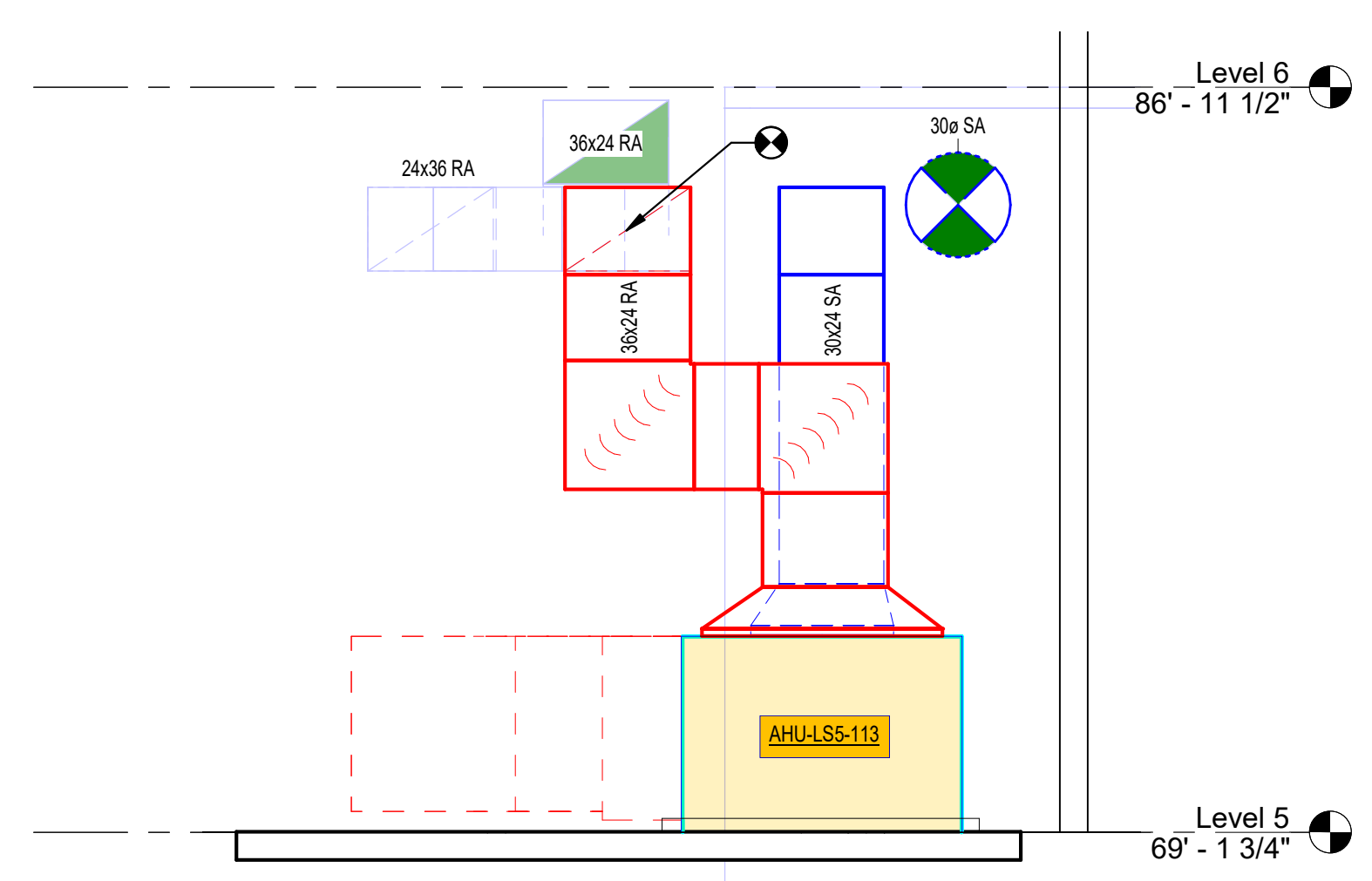
1 FIFTH LEVEL BALLROOM HVAC PLAN - AREA D - N.E. MECH. ROOM
1/4" = 1'-0"



2 AHU-LS5-108, 109, 111 SECTION
1/4" = 1'-0"



4 AHU-LS5-113 SECTION
1/4" = 1'-0"



3 AHU-LS5-113 SECTION 2
1/4" = 1'-0"



GREATER ORLANDO AVIATION AUTHORITY

V01050
Landside Terminal
Levels 4 and 5

HYATT CONTINENTAL
BALLROOM &
PRE-FUNCTION RENO

ORLANDO INTERNATIONAL AIRPORT



rhodes + brito
ARCHITECTS
605 E ROBINSON ST, SUITE 750
ORLANDO, FL 32801
FBAID Lic: AR0014284

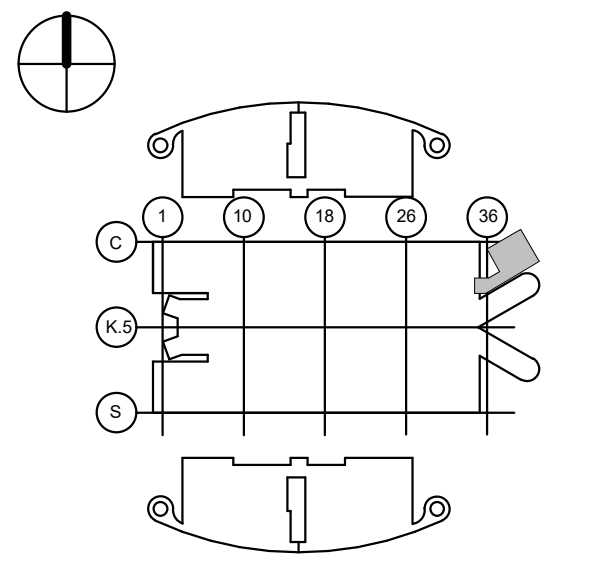


TLC ENGINEERING
SOLUTIONS
255 S. Orange Avenue
Suite 1850
Orlando, FL 32801
P 407.841.9050
COA 15
www.tlc-engineers.com
TLC No. 119108
THINK. LISTEN. CREATE.

This item has been electronically signed and sealed by the individual named below, using a dated Digital Signature in the space below, per F.A.C. Rule 61G15-23.004. Printed copies of this document are not considered signed and sealed and the signature must be verified on any electronic copies.

Revisions

No.	Date	Description



Key Plan

Project No.: 19013.0001
Designed By: OD
Drawn By: AP
Checked By: OD
Issue Date: 02/20/2025
Drawing Scale: 1/4" = 1'-0"
Drawing Title:
MECHANICAL
ENLARGED PLANS -
N.E. MECH. ROOM -
LEVEL 5

Drawing No.
M-2.01.02