

HOOD INFORMATION

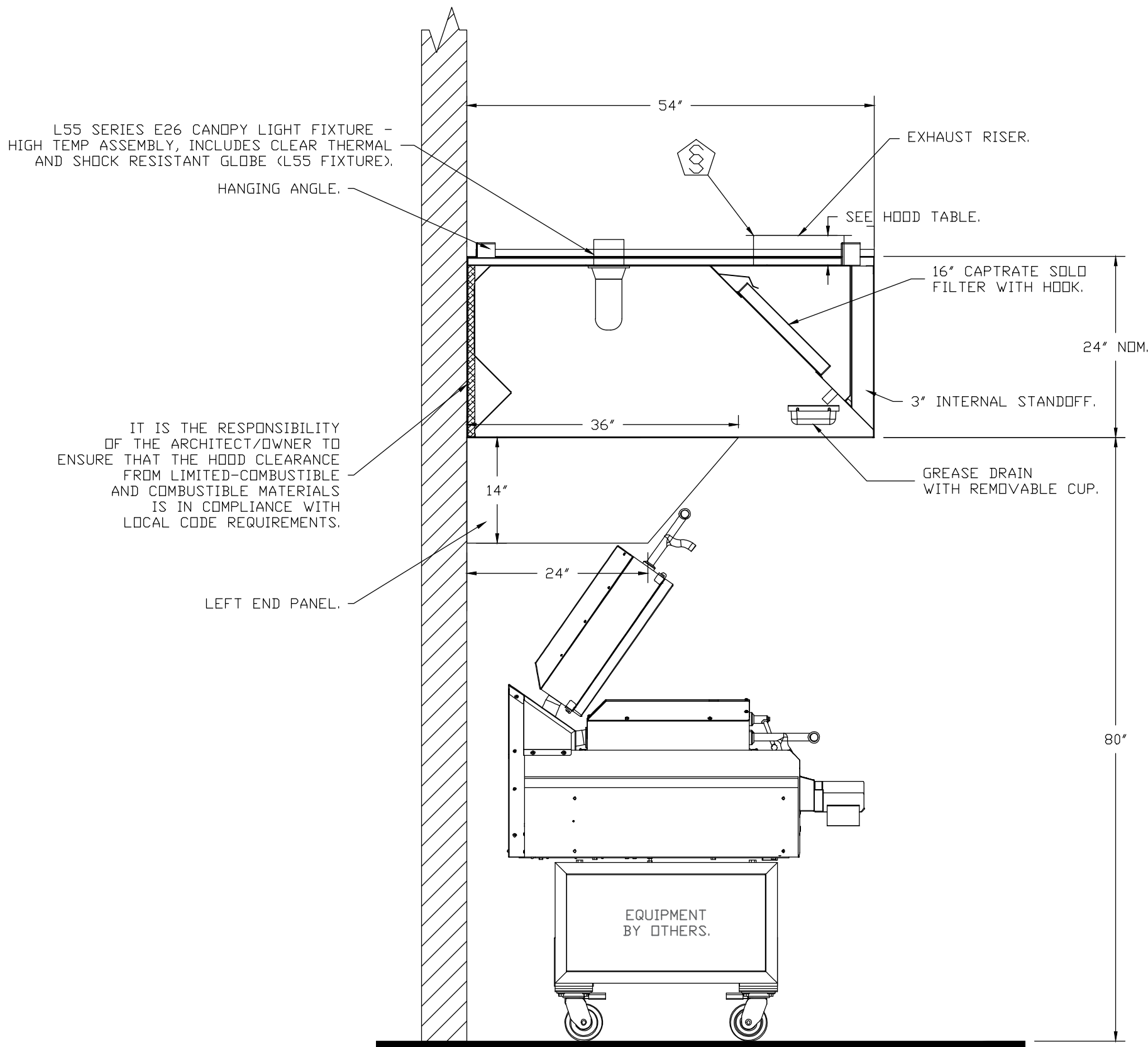
HOOD NO	TAG	MODEL	MANUFACTURER	LENGTH	MAX COOKING TEMP	TYPE	APPLIANCE DUTY	DESIGN CFM/FT	TOTAL EXH CFM	EXHAUST PLENUM RISER(S)						HOOD CONSTRUCTION	HOOD CONFIG		
										WIDTH	LENG	HEIGHT	DIA	CFM	VEL		SP	END TO END	ROW
1	Hood 1-Grill L0307	5424 ND-2	CAPTIVEAIRE	7' 0"	450 DEG	I	MEDIUM	157	1100			4"	12"	1100	1401	-0.510"	430 SS WHERE EXPOSED	ALONE	ALONE

HOOD INFORMATION

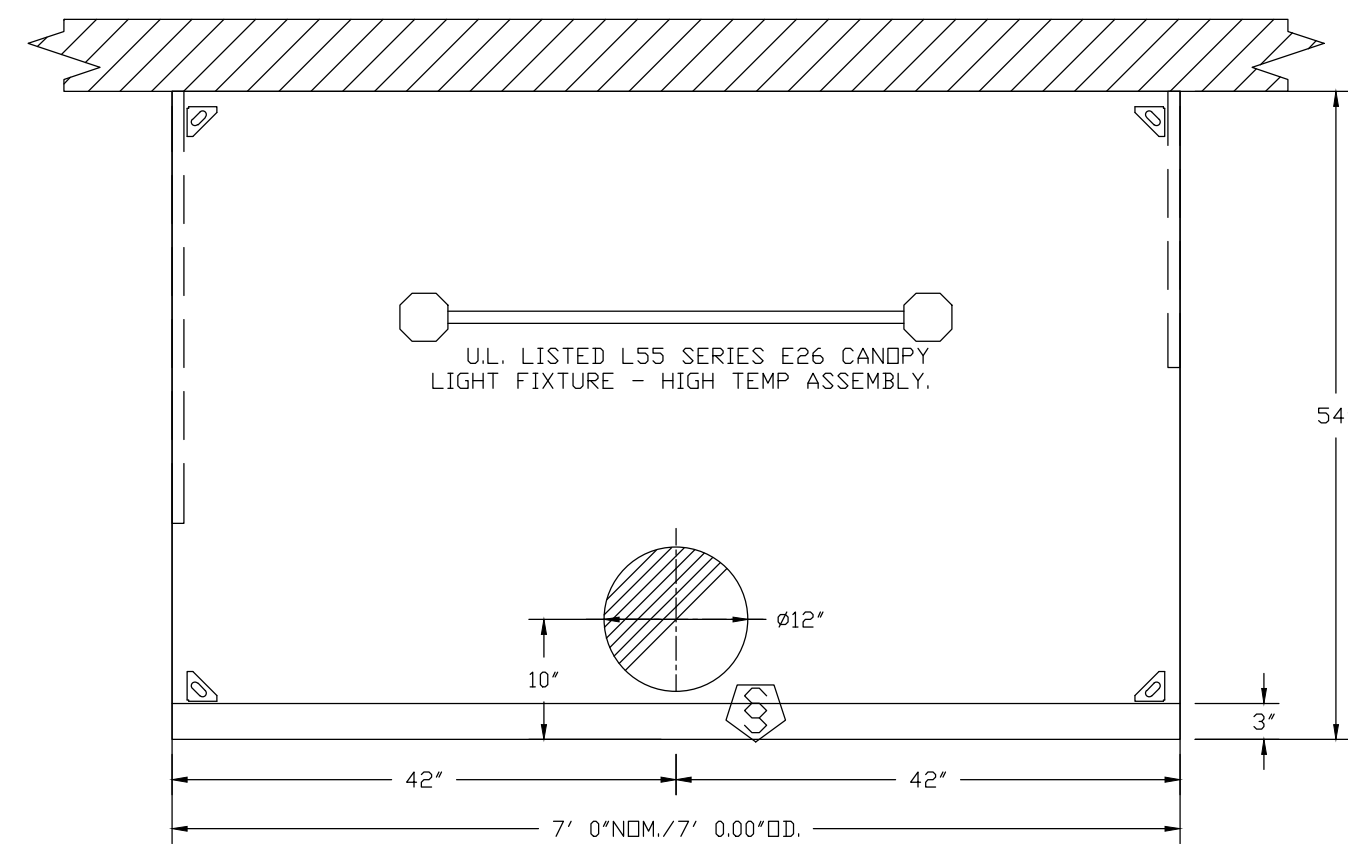
HOOD NO	TAG	FILTER(S)				LIGHT(S)			UTILITY CABINET(S)				FIRE SYSTEM PIPING	HOOD HANGING WEIGHT	
		TYPE	QTY	HEIGHT	LENGTH	EFFICIENCY @ 7 MICRONS	QTY	TYPE	WIRE GUARD	LOCATION	SIZE	FIRE SYSTEM TYPE			ELECTRICAL MODEL #
1	Hood 1-Grill L0307	CAPTRATE SOLO FILTER	5	16"	16"	85% SEE FILTER SPEC	2	L55 SERIES E26	NO					YES	341 LBS

HOOD OPTIONS

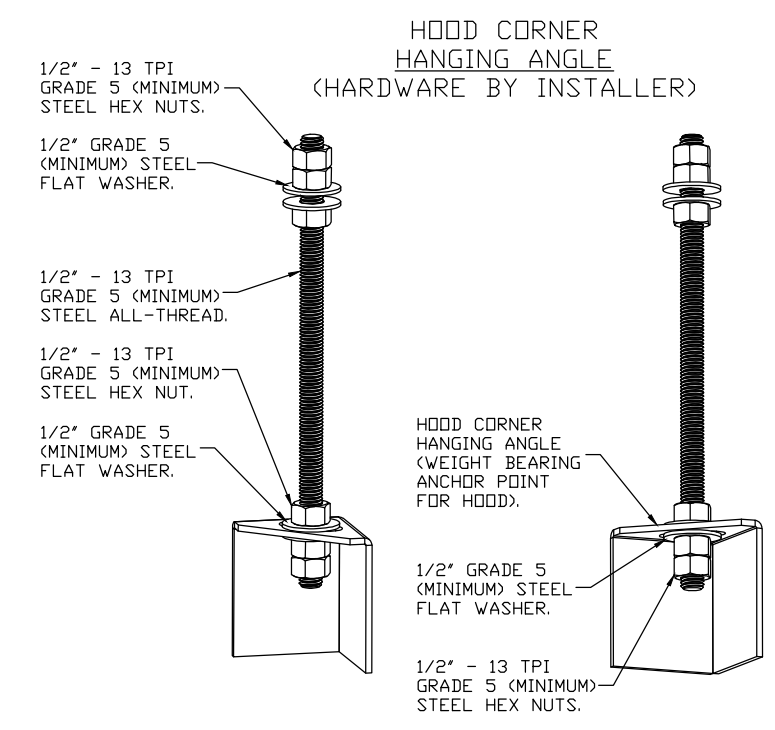
HOOD NO	TAG	OPTION
1	Hood 1-Grill L0307	FIELD WRAPPER 4.00' HIGH LEFT, RIGHT, BACK. LEFT END PANEL 36" TOP WIDTH, 24" BOTTOM WIDTH, 14" HIGH 430 SS. RIGHT QUARTER END PANEL 23" TOP WIDTH, 0" BOTTOM WIDTH, 23" HIGH 430 SS. FINISHED BACK - ISL/REV INSTALL 84.00' LONG, (FILTERS TO THE FRONT). RISER SENSOR INSTALL 6IN PLEN.



SECTION VIEW - MODEL 5424ND-2
HOOD - #1 (Hood 1-Grill L0307)



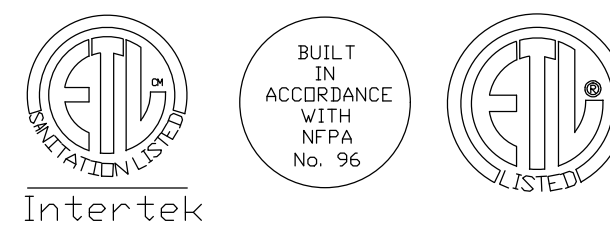
PLAN VIEW - HOOD #1 (Hood 1-Grill L0307)
7' 0.00" LONG 5424ND-2



ASSEMBLY INSTRUCTIONS

HANGING ANGLE MUST BE SUPPORTED WITH 1/2" - 13 TPI GRADE 5 (MINIMUM) ALL-THREAD, SANDWICH HANGING ANGLES AND CEILING ANCHOR POINTS WITH 1/2" GRADE 5 (MINIMUM) STEEL FLAT WASHERS AND 1/2" - 13 TPI GRADE 5 (MINIMUM) HEX NUTS AS SHOWN. MUST USE DOUBLED HEX NUT CONFIGURATION BENEATH HOOD HANGING ANGLES AND ABOVE CEILING ANCHORS. MAINTAIN 1/4" OF EXPOSED THREADS BENEATH BOTTOM HEX NUT. TORQUE ALL HEX NUTS TO 57 FT-LBS.

CAPTIVE-AIRE HOODS ARE BUILT IN COMPLIANCE WITH



NFPA #96
UL 710 & ULC710 STANDARDS
E.T.L. LISTED 102900319PRT-001

FOR DESIGN OR ORDERING INFORMATION PLEASE CALL
JACOB BOONE - 321-270-7692
OR EMAIL REG60@CAPTIVEAIRE.COM

SPECIFICATION: CAPTRATE® GREASE-STOP® SOLO FILTER

THE CAPTRATE GREASE-STOP SOLO FILTER IS A SINGLE-STAGE FILTER FEATURING A UNIQUE S-Baffle DESIGN IN CONJUNCTION WITH A SLOTTED REAR Baffle DESIGN, TO DELIVER EXCEPTIONAL FILTRATION EFFICIENCY.

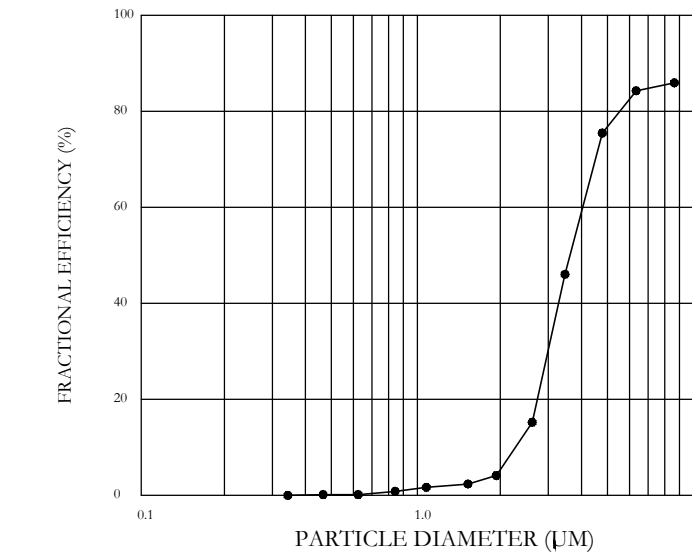
FILTER IS STAINLESS STEEL CONSTRUCTION, AND SIZED TO FIT INTO STANDARD 2-INCH DEEP HOOD CHANNEL(S).

UNITS SHALL INCLUDE STAINLESS STEEL HANDLES AND A FASTENING DEVICE TO SECURE THE TWO COMPONENTS WHEN ASSEMBLED.

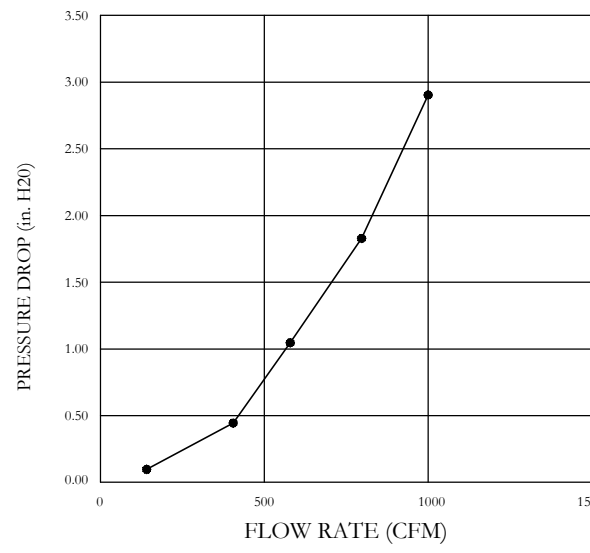
GREASE EXTRACTION EFFICIENCY PERFORMANCE SHALL REMOVE AT LEAST 75% OF GREASE PARTICLES FIVE MICRONS IN SIZE, AND 85% GREASE PARTICLES SEVEN MICRONS IN SIZE AND LARGER, WITH A CORRESPONDING PRESSURE DROP NOT TO EXCEED 1.0 INCHES OF WATER GAUGE.

THE CAPTRATE GREASE-STOP SOLO WAS TESTED TO ASTM STANDARD ASTM F2519-05. MANUFACTURER APPROVED FOR USE IN SOLID FUEL APPLICATIONS AS A SPARK ARRESTER.

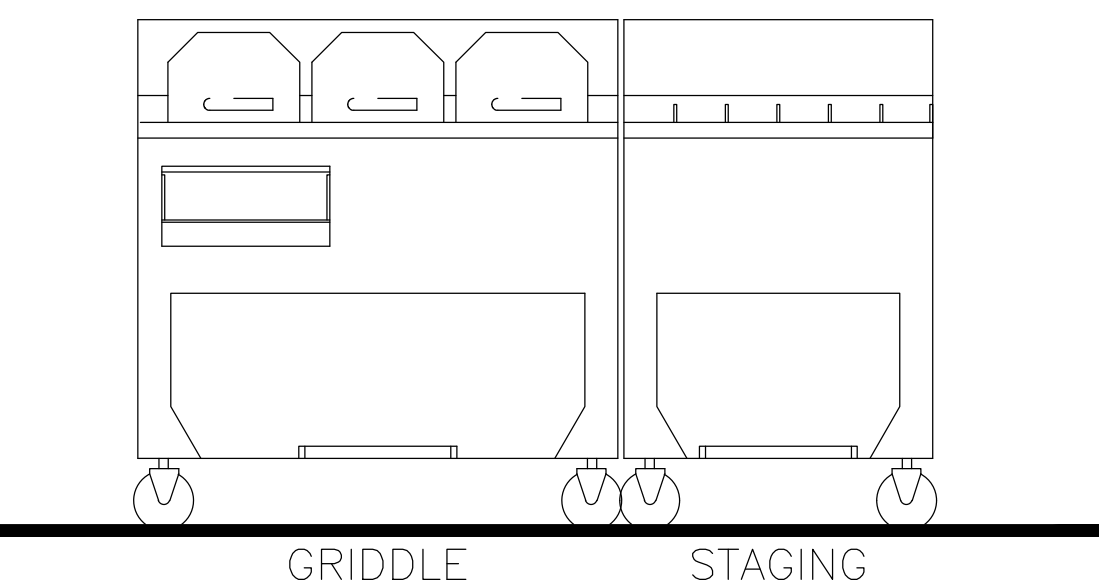
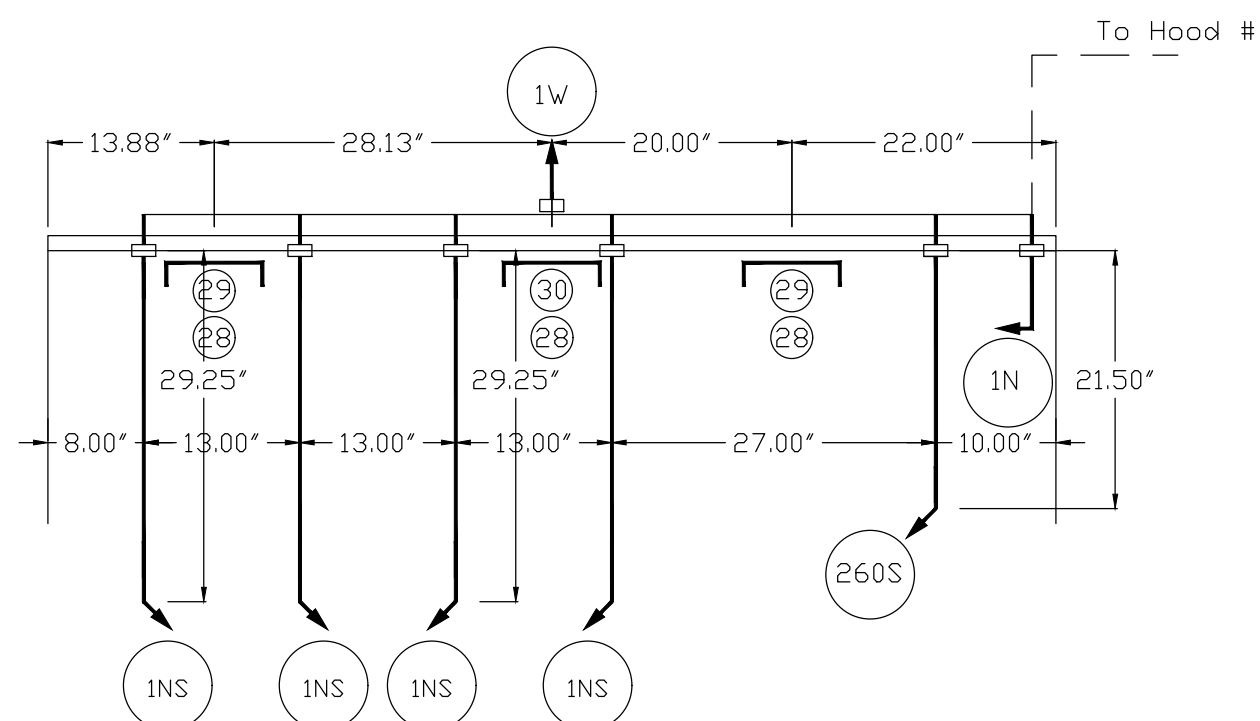
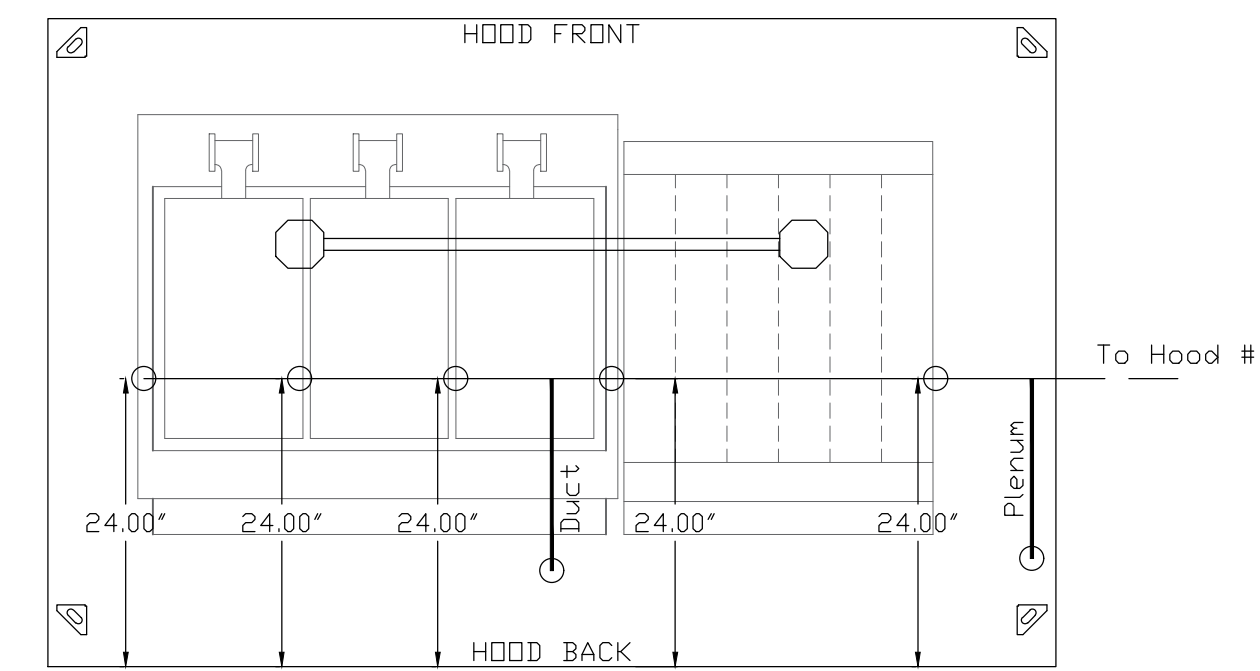
EFFICIENCY VS. PARTICLE DIAMETER



PRESSURE DROP VS. FLOW RATE

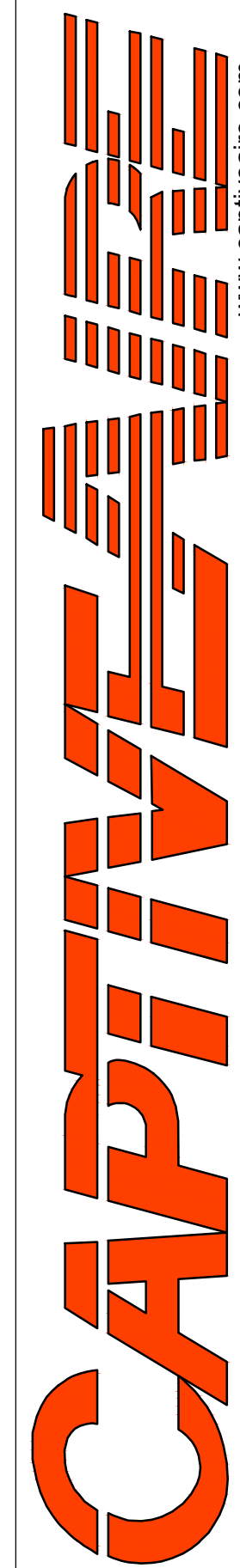


CAPTRATE FILTERS ARE BUILT IN COMPLIANCE WITH:
NFPA #96
NSF STANDARD #2
UL STANDARD #1046
INT. MECH. CODE (IMC)
ULC-S649.



REVISIONS

REV.	DATE	DESCRIPTION
03-03-2022		ISSUED FOR PERMIT



Florida National Accounts
239 N Hunt Club Blvd., STE 201, Longwood, FL 32779 PHONE: (407) 682-3100 FAX: (619) 227-5913 EMAIL: reg60@captivaire.com

Wendys Prototype - US - Single Line Fall 2021

DATE: 8/10/2021

DWG.#: 5029147

DRAWN BY: JGE60

SCALE: 3/4" = 1'-0"

MASTER DRAWING

SHEET NO. 1

SITE NUMBER: 13482
BASE MODEL: (2.0) SMART 30+
ASSET TYPE: FREESTANDING
CLASSIFICATION: NEW BUILD
OWNER: LEWIS TOPPER
BASE VERSION: 2021
UPGRADE CLASSIFICATION: FRAN. NEW BUILD
PROJECT YEAR: 2022
FURNITURE PACKAGE: (2.0) UM BRITE
DRAWING RELEASE: SUMMER 2021

Wallin - Gomez Architects, Ltd.

711 South Dearborn Street
Suite 606
Chicago, IL 60605

Tel: 312-427-4702
Fax: 312-427-6611
e-mail: admin@wgald.com

Wendys.
STORE #13482
1310 S. CRAIG AVE
COVINGTON, VA 24426

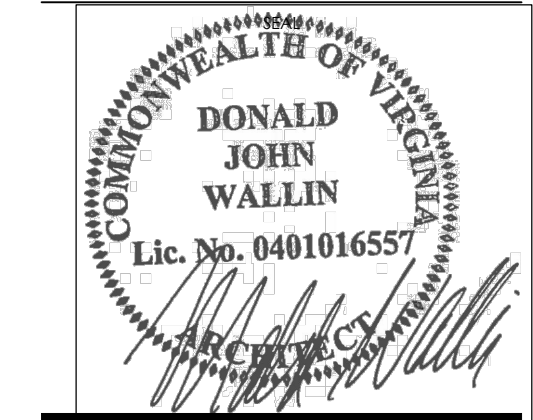
REV.	DATE	DESCRIPTION
03-03-2022		ISSUED FOR PERMIT

PLOT DATE: 3/3/2022
PROJECT NUMBER: 21119
DRAWN BY: GA
CHECKED BY: DJW

NOTICE: THIS DOCUMENT CONTAINS PROPRIETARY INFORMATION. IT SHALL NOT BE USED OR REPRODUCED OR ITS CONTENTS DISCLOSED, IN WHOLE OR IN PART WITHOUT THE PRIOR WRITTEN CONSENT OF WALLIN / GOMEZ ARCHITECTS, LTD.

THESE DRAWINGS HAVE BEEN PREPARED AT AND / OR UNDER MY SUPERVISION AND TO THE BEST OF MY KNOWLEDGE AND BELIEF CONFORM AND COMPLY WITH THE REQUIREMENTS OF THE DEPARTMENT OF BUILDING AND CODES HAVING JURISDICTION.

COMMONWEALTH OF VIRGINIA
REGISTERED ARCHITECT
DONALD J. WALLIN
EXPIRATION DATE: 10/31/2023



HOOD DETAILS - GRILLE
HOOD (CAPTIVE AIRE)

SHEET NUMBER
H1.1

HOOD INFORMATION

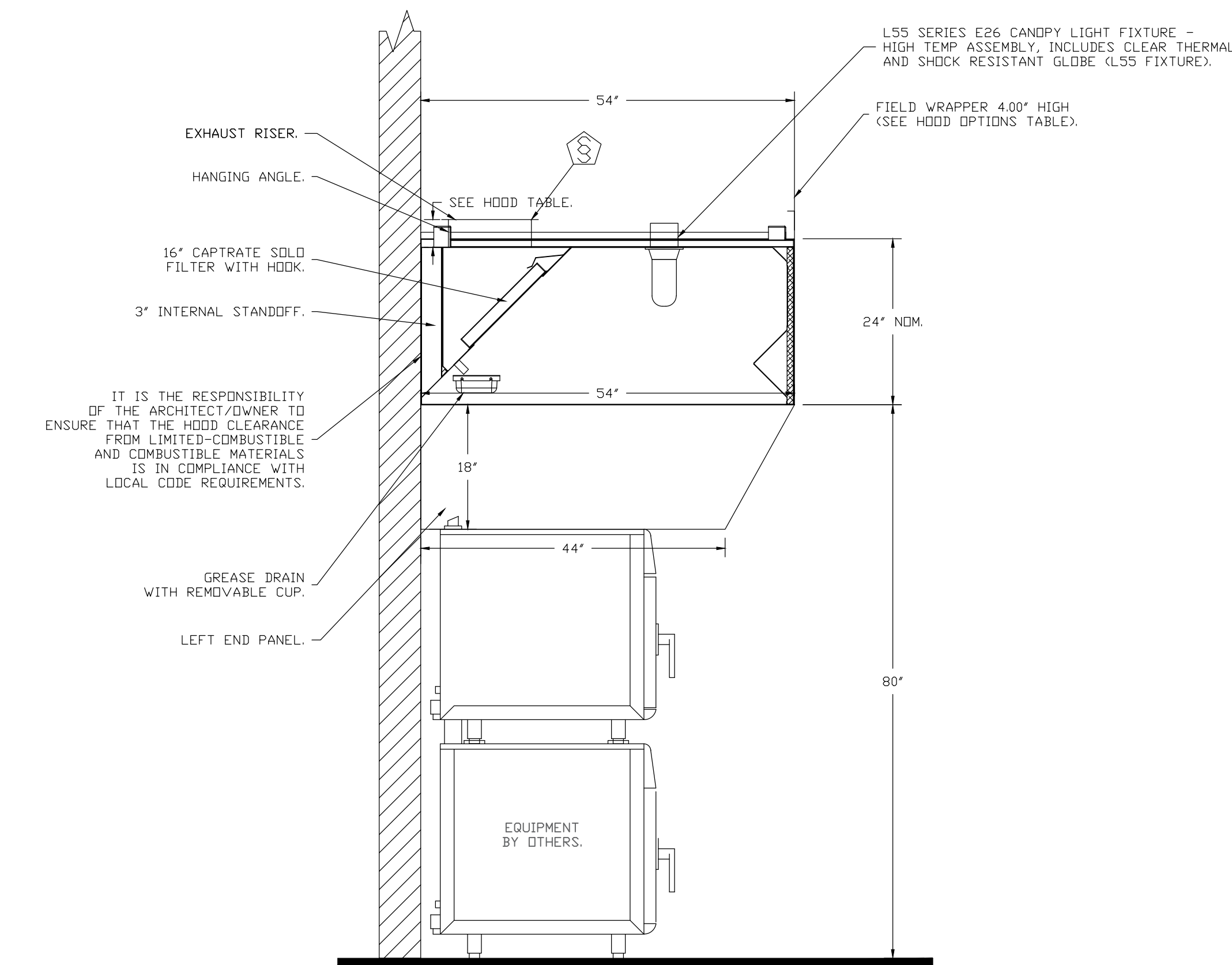
HOOD NO	TAG	MODEL	MANUFACTURER	LENGTH	MAX COOKING TEMP	TYPE	APPLIANCE DUTY	DESIGN CFM/FT	TOTAL EXH CFM	EXHAUST PLENUM RISER(S)				HOOD CONSTRUCTION	HOOD CONFIG			
										WIDTH	LENG	HEIGHT	DIA		CFM	VEL	SP	END TO END
2	Hood 2-Fryer L0502	5424 ND-2	CAPTIVEAIRE	8' 10"	450 DEG	I	MEDIUM	170	1500		4'	12"	1500	1910	-0.920"	430 SS WHERE EXPOSED	ALONE	ALONE

HOOD INFORMATION

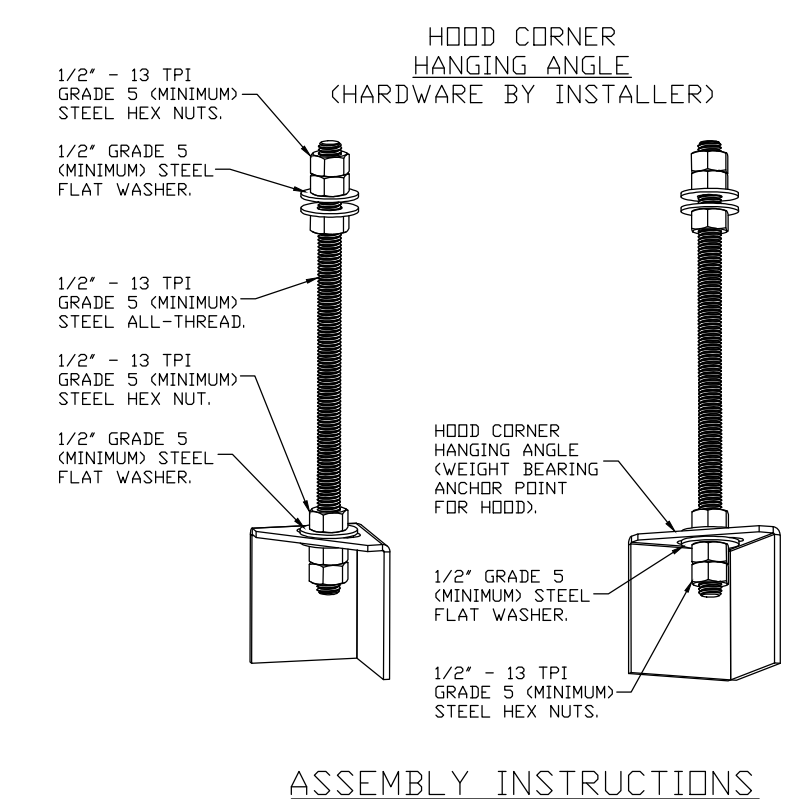
HOOD NO	TAG	FILTER(S)				LIGHT(S)			UTILITY CABINET(S)				FIRE SYSTEM PIPING	HOOD HANGING WEIGHT			
		TYPE	QTY	HEIGHT	LENGTH	EFFICIENCY @ 7 MICRONS	QTY	TYPE	WIRE GUARD	LOCATION	SIZE	FIRE SYSTEM			SIZE	ELECTRICAL MODEL #	SWITCHES QUANTITY
2	Hood 2-Fryer L0502	CAPRATE SOLID FILTER	6	16"	16"	85% SEE FILTER SPEC	3	L55 SERIES E26	NO	LEFT	12"x54"x24"	ANSUL R102	3.0/3.0			YES	523 LBS

HOOD OPTIONS

HOOD NO	TAG	OPTION
2	Hood 2-Fryer L0502	FIELD WRAPPER 4.00' HIGH FRONT, LEFT, RIGHT. LEFT END PANEL 54" TOP WIDTH, 44" BOTTOM WIDTH, 18" HIGH 430 SS. RIGHT QUARTER END PANEL 23" TOP WIDTH, 0" BOTTOM WIDTH, 23" HIGH 430 SS. RISER SENSOR INSTALL 6IN PLEN.



SECTION VIEW - MODEL 5424ND-2
HOOD - #2 (Hood 2-Fryer L0502)



ASSEMBLY INSTRUCTIONS

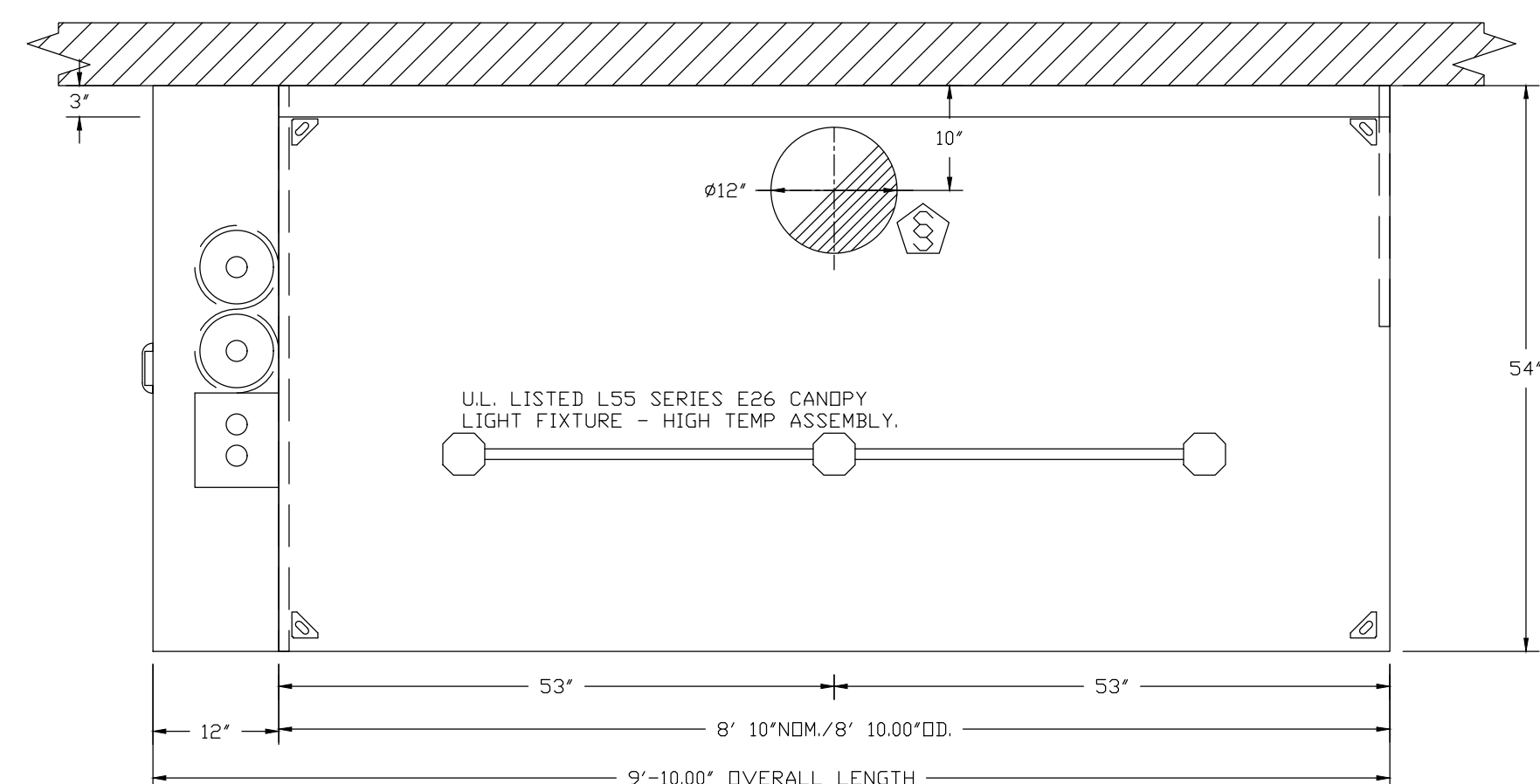
HANGING ANGLE MUST BE SUPPORTED WITH 1/2" - 13 TPI GRADE 5 (MINIMUM) ALL-THREAD, SANDWICH HANGING ANGLES AND CEILING ANCHOR POINTS WITH 1/2" GRADE 5 (MINIMUM) STEEL FLAT WASHERS AND 1/2" - 13 TPI GRADE 5 (MINIMUM) HEX NUTS AS SHOWN. MUST USE DOUBLED HEX NUT CONFIGURATION BENEATH HOOD HANGING ANGLES AND ABOVE CEILING ANCHORS. MAINTAIN 1/4" OF EXPOSED THREADS BENEATH BOTTOM HEX NUT. TORQUE ALL HEX NUTS TO 57 FT-LBS.

CAPTIVE-AIRE HOODS ARE BUILT IN COMPLIANCE WITH

BUILT IN ACCORDANCE WITH NFPA No. 96 LISTED

NFPA #96
UL 710 & ULC710 STANDARDS
E.T.L. LISTED 102900319PRT-001

FOR DESIGN OR ORDERING INFORMATION PLEASE CALL
JACOB BOONE - 321-270-7692
OR EMAIL REG60@CAPTIVEAIRE.COM



PLAN VIEW - HOOD #2 (Hood 2-Fryer L0502)
8' 10.00" LONG 5424ND-2

SPECIFICATION: CAPRATE® GREASE-STOP® SOLID FILTER

THE CAPRATE GREASE-STOP SOLID FILTER IS A SINGLE-STAGE FILTER FEATURING A UNIQUE S-Baffle DESIGN IN CONJUNCTION WITH A SLOTTED REAR Baffle DESIGN, TO DELIVER EXCEPTIONAL FILTRATION EFFICIENCY.

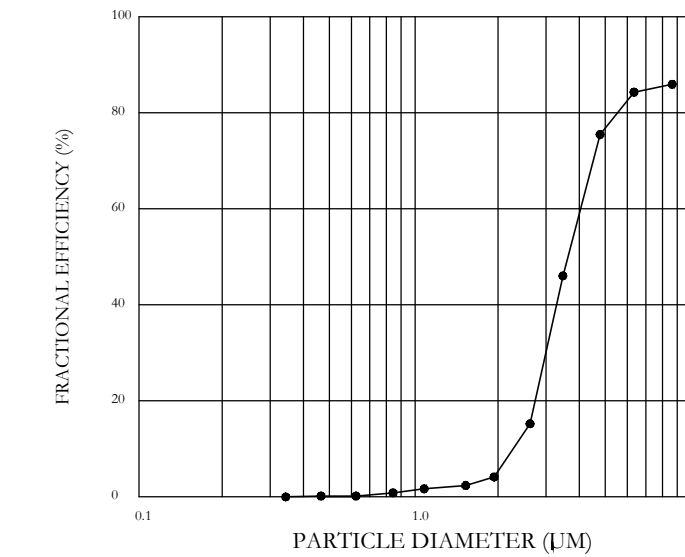
FILTER IS STAINLESS STEEL CONSTRUCTION, AND SIZED TO FIT INTO STANDARD 2-INCH DEEP HOOD CHANNEL(S).

UNITS SHALL INCLUDE STAINLESS STEEL HANDLES AND A FASTENING DEVICE TO SECURE THE TWO COMPONENTS WHEN ASSEMBLED.

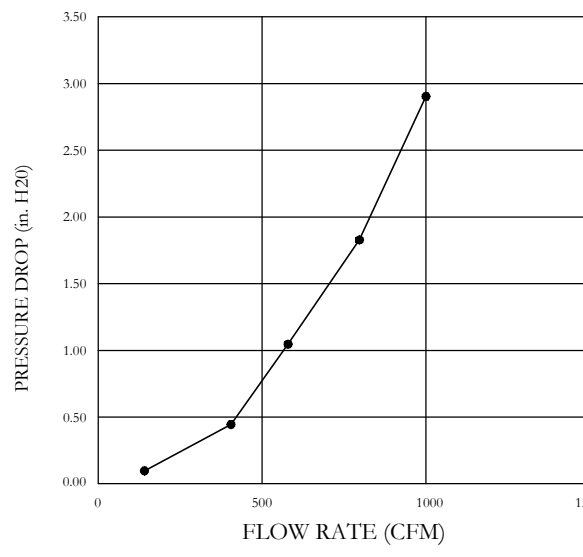
GREASE EXTRACTION EFFICIENCY PERFORMANCE SHALL REMOVE AT LEAST 75% OF GREASE PARTICLES FIVE MICRONS IN SIZE, AND 85% GREASE PARTICLES SEVEN MICRONS IN SIZE AND LARGER, WITH A CORRESPONDING PRESSURE DROP NOT TO EXCEED 1.0 INCHES OF WATER GAUGE.

THE CAPRATE GREASE-STOP SOLID WAS TESTED TO ASTM STANDARD ASTM F2519-05. MANUFACTURER APPROVED FOR USE IN SOLID FUEL APPLICATIONS AS A SPARK ARRESTER.

EFFICIENCY VS. PARTICLE DIAMETER

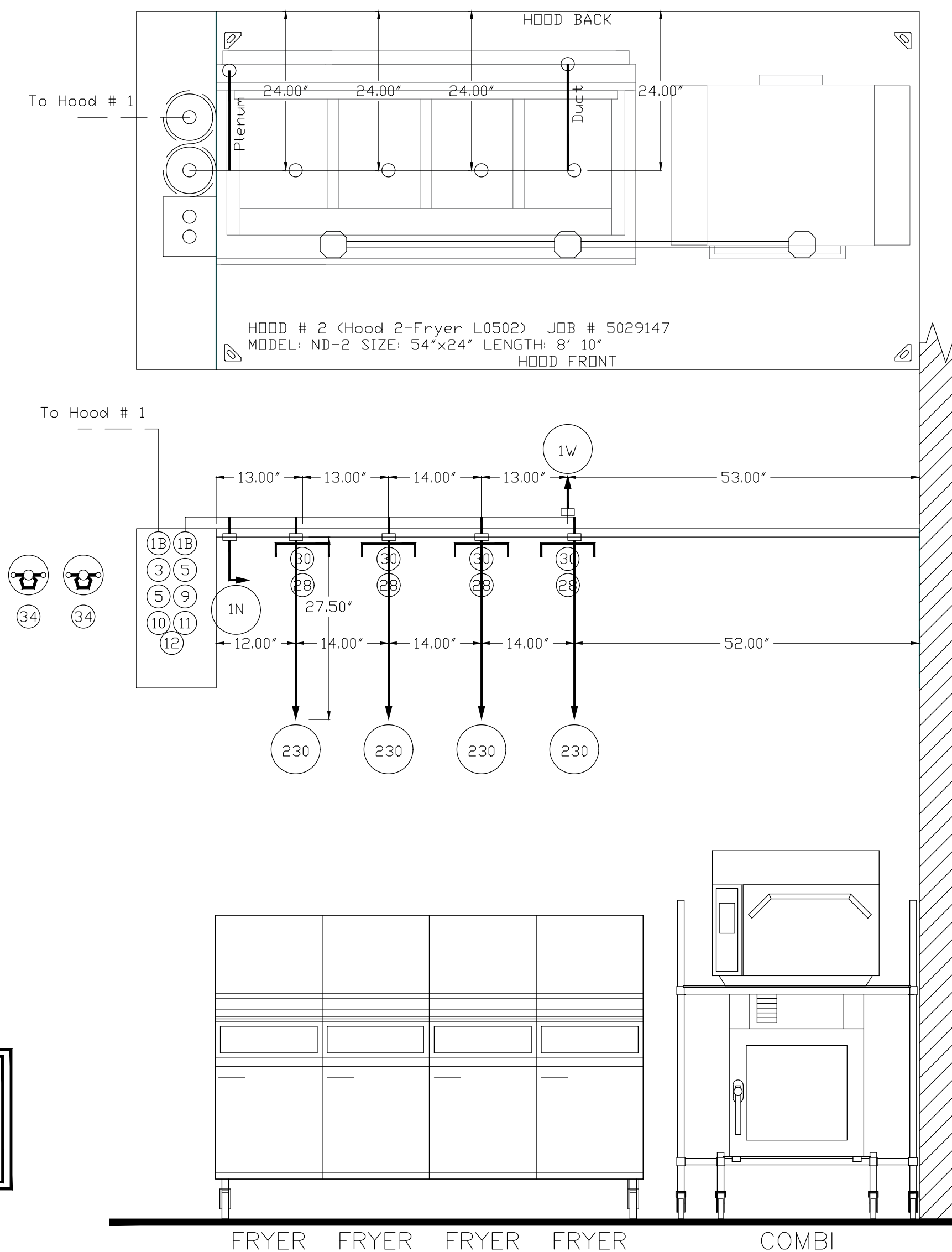


PRESSURE DROP VS. FLOW RATE



CAPRATE FILTERS ARE BUILT IN COMPLIANCE WITH:

- NFPA #96
- NSF STANDARD #2
- UL STANDARD #1046
- INT. MECH. CODE (IMC)
- ULC-S649.



REVISIONS

NO.	DESCRIPTION	DATE

CAPTIVEAIRE

Florida National Accounts
www.captiveaire.com

239 N Hunt Club Blvd., STE 201, Longwood, FL 32779 PHONE: (407) 682-3100 FAX: (919) 227-5913 EMAIL: reg60@captiveaire.com

SITE NUMBER: 13482
BASE MODEL: (2.0) SMART 30+
ASSET TYPE: FREESTANDING
CLASSIFICATION: NEW BUILD
OWNER: LEWIS TOPPER
BASE VERSION: 2021
UPGRADE CLASSIFICATION: FRAN. NEW BUILD
PROJECT YEAR: 2022
FURNITURE PACKAGE: (2.0) UM BRITE
DRAWING RELEASE: SUMMER 2021

Wallin - Gomez Architects, Ltd.
711 South Dearborn Street
Suite 606
Chicago, IL 60605
Tel: 312-427-4702
Fax: 312-427-6611
e-mail: admin@wgald.com

Wendy's
STORE #13482
1310 S. CRAIG AVE
COVINGTON, VA 24426

REV.	DATE	DESCRIPTION
03-03-2022	ISSUED FOR PERMIT	

PLOT DATE: 3/3/2022
PROJECT NUMBER: 21119
DRAWN BY: GA
CHECKED BY: DJW

NOTICE: THIS DOCUMENT CONTAINS PROPRIETARY INFORMATION. IT SHALL NOT BE USED OR REPRODUCED OR ITS CONTENTS DISCLOSED, IN WHOLE OR IN PART WITHOUT THE PRIOR WRITTEN CONSENT OF WALLIN / GOMEZ ARCHITECTS, LTD.

THESE DRAWINGS HAVE BEEN PREPARED AND / OR UNDER MY SUPERVISION AND TO THE BEST OF MY KNOWLEDGE AND BELIEF CONFORM AND COMPLY WITH THE REQUIREMENTS OF THE DEPARTMENT OF BUILDING AND CODES HAVING JURISDICTION.

COMMONWEALTH OF VIRGINIA
REGISTERED ARCHITECT
DONALD J. WALLIN
EXPIRATION DATE: 10/31/2023

DATE: 8/10/2021
DWG.#: 5029147
DRAWN BY: JGE60
SCALE: 3/4" = 1'-0"
MASTER DRAWING

SHEET NAME
HOOD DETAILS - FRYER HOOD (CAPTIVE AIRE)

SHEET NUMBER
H1.2

SHEET NO.
2

FIRE SYSTEM INFORMATION

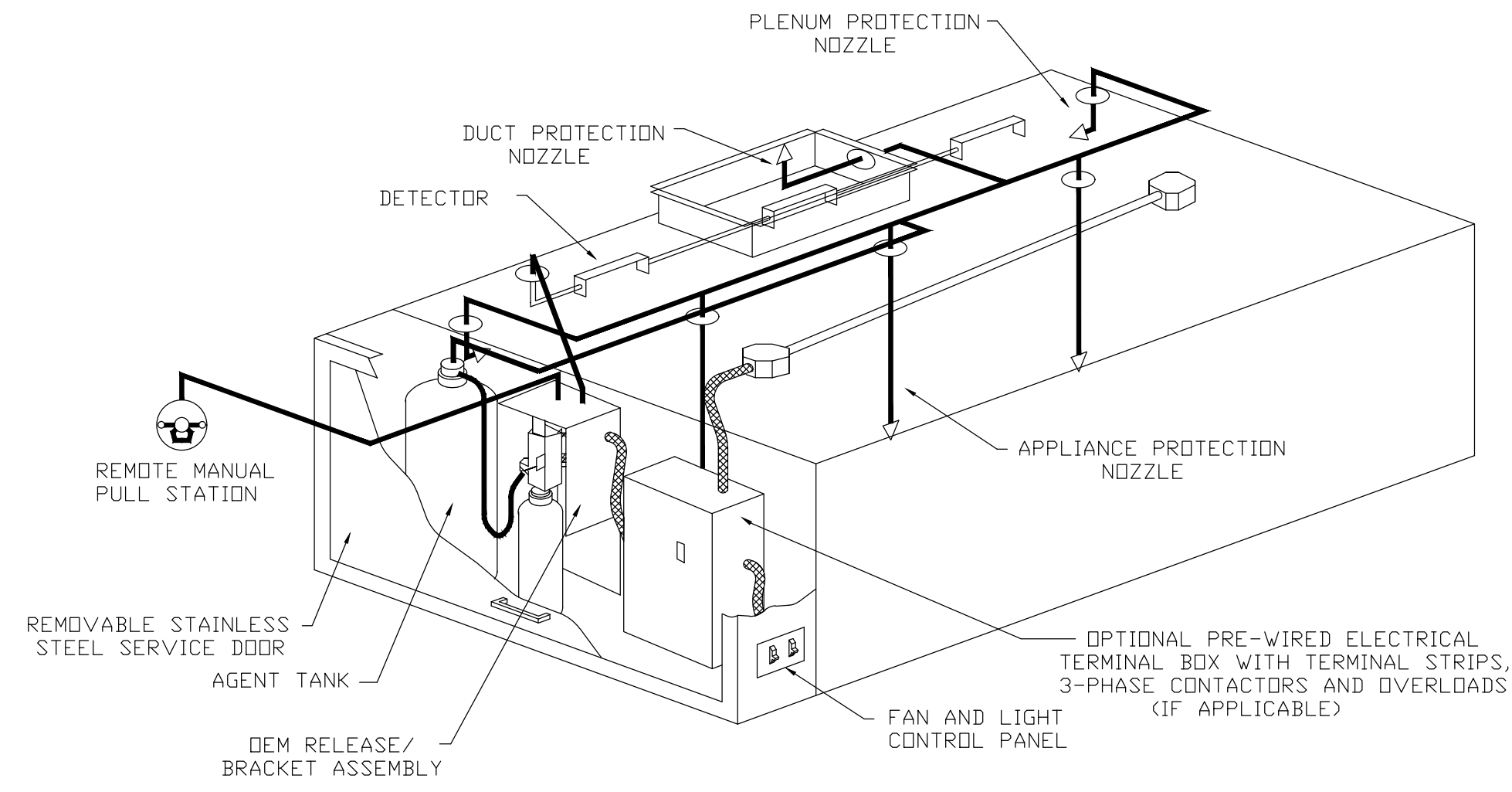
FIRE SYSTEM NO	TAG	TYPE	SIZE	FLOW POINTS	INSTALLATION	
					SYSTEM	LOCATION ON HOOD
1		ANSUL R102	3.0/3.0	18	FIRE CABINET LEFT	LEFT, HOOD 2

GAS VALVE(S)

FIRE SYSTEM NO	TAG	TYPE	SIZE	SUPPLIED BY
1		MECHANICAL	1.500	CAPTIVEAIRE SYSTEMS

FIRE SYSTEM PARTS LIST KEY

FIRE SYSTEM NO	TAG	KEY NUMBER - PART DESCRIPTION	QTY BY FACTORY	QTY BY DIST
		0 - 0 - 43-15733 AIR CYLINDER ASSEMBLY - AIR CYLINDER AND TUBING FOR MECHANICAL GAS VALVES (ANSUL PART #15733)	1	0
		0 - 0 - 439861 LARGE BLOWOFF CAP, METAL, TO FIT NEW LASER-ETCHED ANSUL NOZZLES, A0024201.	13	0
		0 - 0 - TANK STRAP TANK STRAP - USED FOR ANSUL TANKS.	2	0
		0 - 0 - UCTANKBRACKET TANK BRACKET FOR FIRE SYSTEM TANK INSTALLATION IN UTILITY CABINETS.	2	0
		1 - 1 - AT - 3.0 TANK(H1B) - 3.0 GALLON SS TANK (FOR USE WITH AUTOMAN RELEASE, ACTUATOR, OR SS ENCLOSURE (UL/ULC)) MACDLA # 01-429862.	2	0
		3 - 3 - ANS-DEM REGULATED RELEASE - ANSUL REGULATED MECHANICAL RELEASE/BRAKET ASSEMBLY, DEM, R-102, CARTRIDGE DETECTION INCLUDED, ANSUL PART # 79493.	1	0
		5 - 5 - L10-3.0 AGENT - ANSULEX LOW PH WET CHEMICAL AGENT, 3 GALLON (UL) 79372.	0	2
		9 - 9 - 101-30 CARTRIDGE - CARBON DIOXIDE, 101-30, CARTRIDGE (R-102) 19-15851.	0	1
		10 - 10 - TLINK LINK - TEST LINK (1 TEST LINK) ANSUL PART # 24916, MACDLA # 20-24916.	0	1
		11 - 11 - MICRO-SDA MICROSWITCH KIT - INCLUDES 2 SWITCHES AND MOUNTING HARDWARE. SINGLE DUAL ELECTRIC SWITCH, ONE STANDARD SWITCH, ONE ALARM DUTY SWITCH ANSUL PART # 437155, MACDLA # 08-437155.	1	0
		12 - 12 - HOSE HOSE - RUBBER HOSE.	1	0
		14 - 14 - 419336 NOZZLE - 1W NOZZLE, DUCT/APPLIANCE (REPLACES ANSUL PART# 419347, CAS PART# 419336) A0001266.	2	0
		16 - 16 - 419335 NOZZLE - 1N NOZZLE, PLENUM/APPLIANCE (REPLACES ANSUL PART# 419346, CAS PART# 419335) A0001265.	6	0
		21 - 21 - 419339 NOZZLE - 230 NOZZLE, APPLIANCE (REPLACES ANSUL PART# 419350, CAS PART# 419339) A0001269.	4	0
		24 - 24 - 419341 NOZZLE - 260 NOZZLE, APPLIANCE (REPLACES ANSUL PART# 419352, CAS PART# 419341) A0001271.	1	0
		25 - 25 - 418569 NOZZLE ADAPTDR - SWIVEL NOZZLE ADAPTDR (REPLACES CAS PART # 418569) A0001274.	5	0
		26 - 26 - QSA-3/8 QUIK SEAL - 3/8" (UL).	13	0
		27 - 27 - QPSA-1/2 PULLEY SEAL - 1/2" HOOD SEAL (UL) ANSUL PART # 423253, MACDLA # 32-79768.	5	0
		28 - 28 - S-DET DETECTOR - SERIES (SCISSOR LINKAGE) ANSUL PART # 435547/435548 (OLD # 417369/434480), MACDLA # 05-417369.	7	0
		29 - 29 - ANS-360FL FUSIBLE LINK - 360DEG F, R-102 AND PIRANHA, ANSUL PART # 439088.	2	0
		30 - 30 - ANS-500FL FUSIBLE LINK - 500DEG F, R-102 AND PIRANHA, ANSUL PART # 439232.	5	0
		34 - 34 - RPS-A REMOTE PULL STATION - RED COMPOSITE (WITHOUT WIRE ROPE) 434618 (OLD MACDLA #06-4835).	2	0
		35 - 35 - PE-LT PULLEY ELBOW - LOW TEMP. PULLEY ELBOW, SET SCREW TYPE ANSUL PART # 415670, MACDLA # 11-415671.	5	0
		36 - 36 - PE-HT PULLEY ELBOW - HIGH TEMP PULLEY ELBOW, COMPRESSION TYPE, ANSUL PART # 423251, MACDLA # 10-45771.	4	0



TYPICAL ANSUL R-102 SYSTEM LAYOUT

SYSTEM SIZE: ANSUL-3.0/3.0 TOTAL FP REQUIRED: 18.
 HOOD # 1 7' 0.00" LONG x 54" WIDE x 24" HIGH.
 RISER # 1 SIZE: 12" DIA.
 HOOD # 2 METAL BLOW-OFF CAPS INCLUDED.
 HOOD # 2 8' 10.00" LONG x 54" WIDE x 24" HIGH.
 RISER # 1 SIZE: 12" DIA.
 HOOD # 2 METAL BLOW-OFF CAPS INCLUDED.

LEGEND - FIRE CABINET ANSUL SYSTEM

- 1A 1.5 GALLON TANK
- 1B 3 GALLON TANK
- 2 DEM AUTOMAN RELEASE
- 3 DEM REGULATED RELEASE
- 4 DEM REGULATED ACTUATOR
- 5 ANSULEX LIQUID AGENT (3 GAL.)
- 6 ANSULEX LIQUID AGENT (1.5 GAL.)
- 7 CARTRIDGE (101-20)
- 8 CARTRIDGE (101-10)
- 9 CARTRIDGE (101-30)
- 9A CARTRIDGE (LT-A-101-30)
- 9B DOUBLE TANK CARTRIDGE
- 10 TEST LINK
- 11 DOUBLE MICROSWITCH
- 12 HOSE ASSEMBLY
- 1100 DUCT NOZZLE (430913)
- 2W DUCT NOZZLE (419337)
- 1W NOZZLE ASSEMBLY (419336)
- 1F NOZZLE ASSEMBLY (419333)
- 1N NOZZLE ASSEMBLY (419335)
- 1/2N NOZZLE ASSEMBLY (419334)
- 3N NOZZLE ASSEMBLY (419338)
- 245 NOZZLE ASSEMBLY (419340)
- 230 NOZZLE ASSEMBLY (419339)
- 2120 NOZZLE ASSEMBLY (419343)
- 290 NOZZLE ASSEMBLY (419342)
- 260 NOZZLE ASSEMBLY (419341)
- 28 DETECTOR BRACKET
- 29 LOW TEMP FUSIBLE LINK
- 30 HIGH TEMP FUSIBLE LINK
- MGV MECHANICAL GAS VALVE
- EGV ELECTRICAL GAS VALVE
- 34 REMOTE MANUAL PULL STATION
- S SWIVEL ADAPTDR

INCLUDES: FIELD INSTALLATION AND HOOKUP DURING NORMAL BUSINESS HOURS BY CERTIFIED INSTALLERS ONLY IN THE LOCATION NOTED ABOVE; TWO SITE VISITS ONLY (ONE VISIT TO SET PULL STATION & SYSTEM HOOKUP AND ONE VISIT FOR ONE TEST; ADDITIONAL VISITS WILL RESULT IN ADDITIONAL CHARGES); ONE MECHANICAL GAS VALVE PER SYSTEM AT A MAXIMUM SIZE OF 2", PERMIT, AND SYSTEM TEST.
 EXCLUDES: UNION LABOR & PREVAILING WAGE (LABOR & WAGES WILL BE ADDED IF APPLICABLE); GAS VALVE INSTALLATION, ELECTRICAL HOOKUP AND CONNECTIONS; HANGING OF FIRE CABINET, SHUNT TRIP, HANDHELD EXTINGUISHER(S), ON-SITE RE-PIPING DUE TO EQUIPMENT LAYOUT CHANGES.

- FIELD PIPE DROPS AS SHOWN
- SLEEVING, ELBOWS, TEES, AND NOZZLES SUPPLIED BY CAS.
- RELOCATE NOZZLES IF FLOW PATTERN IS BLOCKED BY SHELVING,
- MAXIMUM 9 ELBOWS IN SUPPLY LINE.
- MINIMUM 72 INCHES OF AGENT LINE FROM TANK TO FIRST NOZZLE COVERING A RANGE, FRYER, OR WOK TO REFLECT GENERAL PIPING REQUIREMENTS.
- IF APPLICABLE, PRE-PIPED CHARBROILER DROPS ARE SHIPPED LOOSE.
- FACTORY PIPING EXTENDS A MAXIMUM OF 6" ABOVE THE TOP OF THE HOOD.
- APPLIANCE DIMENSIONS LISTED REPRESENT THE COOKING SURFACE SIZE, NOT THE OVERALL APPLIANCE SIZE.

SPECIFICATIONS

THE RESTAURANT FIRE SUPPRESSION SYSTEM SHALL BE THE PRE-ENGINEERED TYPE WITH A FIXED NOZZLE AGENT DISTRIBUTION NETWORK. IT SHALL BE LISTED WITH UNDERWRITERS LABORATORIES, INC. (UL)

THE SYSTEM SHALL BE CAPABLE OF AUTOMATIC DETECTION AND ACTUATION WITH LOCAL OR REMOTE MANUAL ACTUATION. ACCESSORIES SHALL BE AVAILABLE FOR MECHANICAL OR ELECTRICAL GAS LINE SHUT-OFF APPLICATIONS.

THE EXTINGUISHING AGENT SHALL BE A POTASSIUM CARBONATE, POTASSIUM ACETATE-BASED FORMULATION DESIGNED FOR FLAME KNOCKDOWN AND SECUREMENT OF GREASE RELATED FIRES. IT SHALL BE AVAILABLE IN PLASTIC CONTAINERS WITH INSTRUCTIONS FOR LIQUID AGENT HANDLING AND USAGE.

THE REGULATED RELEASE MECHANISM SHALL BE COMPATIBLE WITH A FUSIBLE LINK DETECTION SYSTEM. THE FUSIBLE LINK SHALL BE SELECTED AND INSTALLED ACCORDING TO THE OPERATING TEMPERATURE IN THE VENTILATING SYSTEM. THE FUSIBLE LINK SHALL BE SUPPORTED BY A DETECTOR BRACKET/ LINKAGE ASSEMBLY.

REVISIONS	
DESCRIPTION	DATE

CAPTIVE

www.captiveaire.com

Florida National Accounts

238 N Hunt Club Blvd., STE 201, Longwood, FL 32778 PHONE: (407) 682-3100 FAX: (619) 227-5913 EMAIL: reg@captivair.com

Wendys Prototype - US - Single Line Fall 2021

DATE: 8/10/2021
DWG.#: 5029147
DRAWN BY: JGE60
SCALE: 3/4" = 1'-0"
MASTER DRAWING
SHEET NO. 3

SITE NUMBER:	13482
BASE MODEL:	(2.0) SMART 30+
ASSET TYPE:	FREESTANDING
CLASSIFICATION:	NEW BUILD
OWNER:	LEWIS TOPPER
BASE VERSION:	2021
UPGRADE CLASSIFICATION:	FRAN. NEW BUILD
PROJECT YEAR:	2022
FURNITURE PACKAGE:	(2.0) UM BRITE
DRAWING RELEASE:	SUMMER 2021

Wallin - Gomez Architects, Ltd.
 711 South Dearborn Street
 Suite 606
 Chicago, IL 60605
 Tel: 312-427-4702
 Fax: 312-427-6611
 e-mail: admin@wgald.com

Wendys

STORE #13482
 1310 S. CRAIG AVE
 COVINGTON, VA 24426

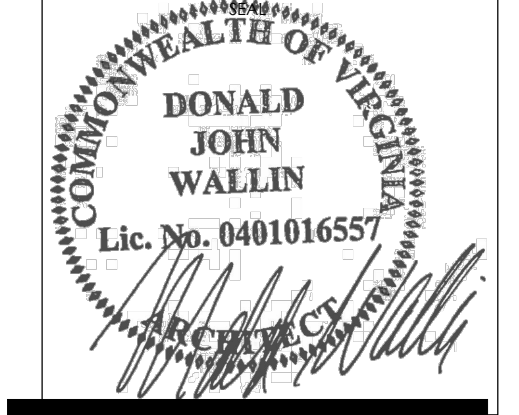
REV.	DATE	DESCRIPTION
03-03-2022	ISSUED FOR PERMIT	

PLOT DATE	3/3/2022
PROJECT NUMBER	21119
DRAWN BY	GA
CHECKED BY	DJW

NOTICE: THIS DOCUMENT CONTAINS PROPRIETARY INFORMATION. IT SHALL NOT BE USED OR REPRODUCED OR ITS CONTENTS DISCLOSED, IN WHOLE OR IN PART WITHOUT THE PRIOR WRITTEN CONSENT OF WALLIN / GOMEZ ARCHITECTS, LTD.

THESE DRAWINGS HAVE BEEN PREPARED AT AND / OR UNDER MY SUPERVISION AND TO THE BEST OF MY KNOWLEDGE AND BELIEF CONFORM AND COMPLY WITH THE REQUIREMENTS OF THE DEPARTMENT OF BUILDING AND CODES HAVING JURISDICTION.

COMMONWEALTH OF VIRGINIA
 #04016557
 REGISTERED ARCHITECT
 DONALD J. WALLIN
 EXPIRATION DATE: 10/31/2023



SHEET NAME
HOOD DETAILS - FIRE SUPPRESSION (CAPTIVE AIRE)

SHEET NUMBER
H1.3

EXHAUST FAN INFORMATION

FAN UNIT NO	TAG	QTY	FAN UNIT MODEL #	MANUFACTURER	CFM	ESP	RPM	MOTOR ENCL	HP	BHP	PHASE	VOLT	FLA	DISCHARGE VELOCITY	WEIGHT (LBS)	SONES
1	EF-1	1	DU8SHFA	CAPTIVEAIRE	1100	1.250	1230	TEAD-ECM	0.750	0.3690	1	208	5.2	348 FPM	88	10.4
2	EF-2	1	DU8SHFA	CAPTIVEAIRE	1500	1.250	1332	TEAD-ECM	0.750	0.4690	1	208	5.2	475 FPM	88	12.1
3	EF-3	1	DR10HFA	CAPTIVEAIRE	300	0.340	1500	TEAD-ECM	0.166	0.0670	1	115	1.9		48	6.8

FAN OPTIONS

FAN UNIT NO	TAG	QTY	DESCRIPTION
1	EF-1	1	GREASE BDX.
		1	ECM WIRING PACKAGE - MANUAL DR 0-10VDC REFERENCE SPEED CONTROL (TELCO MOTOR), CCW ROTATION.
		1	2 YEAR PARTS WARRANTY.
2	EF-2	1	GREASE BDX.
		1	ECM WIRING PACKAGE - MANUAL DR 0-10VDC REFERENCE SPEED CONTROL (TELCO MOTOR), CCW ROTATION.
		1	2 YEAR PARTS WARRANTY.
3	EF-3	1	I 12-BDD DAMPER.
		1	ECM WIRING PACKAGE - MANUAL DR 0-10VDC REFERENCE SPEED CONTROL (TELCO MOTOR), CCW ROTATION.
		1	2 YEAR PARTS WARRANTY.

FAN ACCESSORIES

FAN UNIT NO	TAG	EXHAUST				SUPPLY		
		GREASE CUP	GRAVITY DAMPER	WALL MOUNT	SIDE DISCHARGE	GRAVITY DAMPER	MOTORIZED DAMPER	WALL MOUNT
1	EF-1	YES						
2	EF-2	YES						
3	EF-3		YES					

CURB ASSEMBLIES

NO	DN FAN	TAG	WEIGHT	ITEM	SIZE
1	# 1	EF-1	79 LBS	CURB	23.000"W X 23.000"L X 36.000"H HINGED.
2	# 2	EF-2	79 LBS	CURB	23.000"W X 23.000"L X 36.000"H HINGED.
3	# 3	EF-3	22 LBS	CURB	17.500"W X 17.500"L X 20.000"H

SYSTEM DESIGN VERIFICATION (SDV)

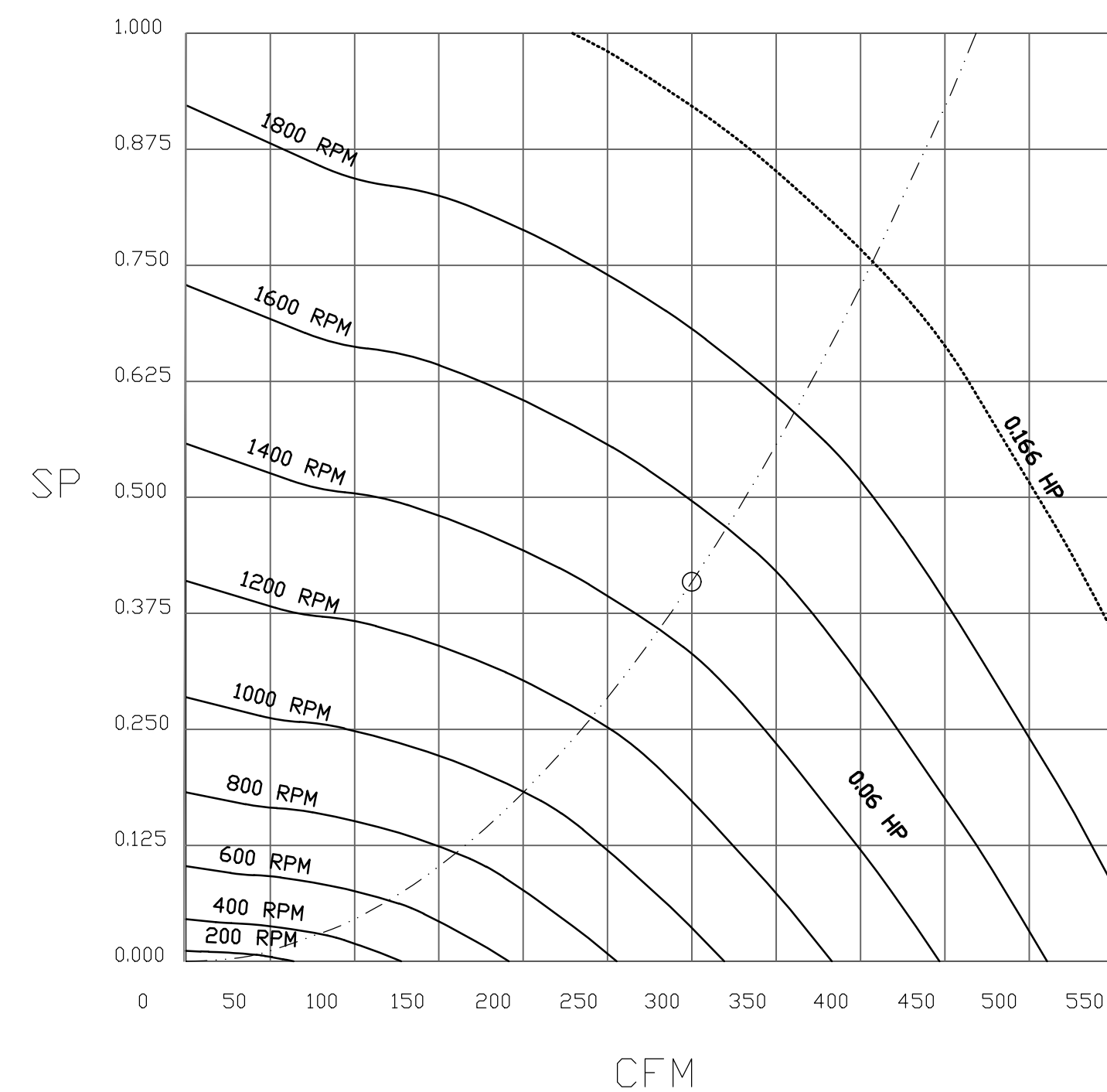
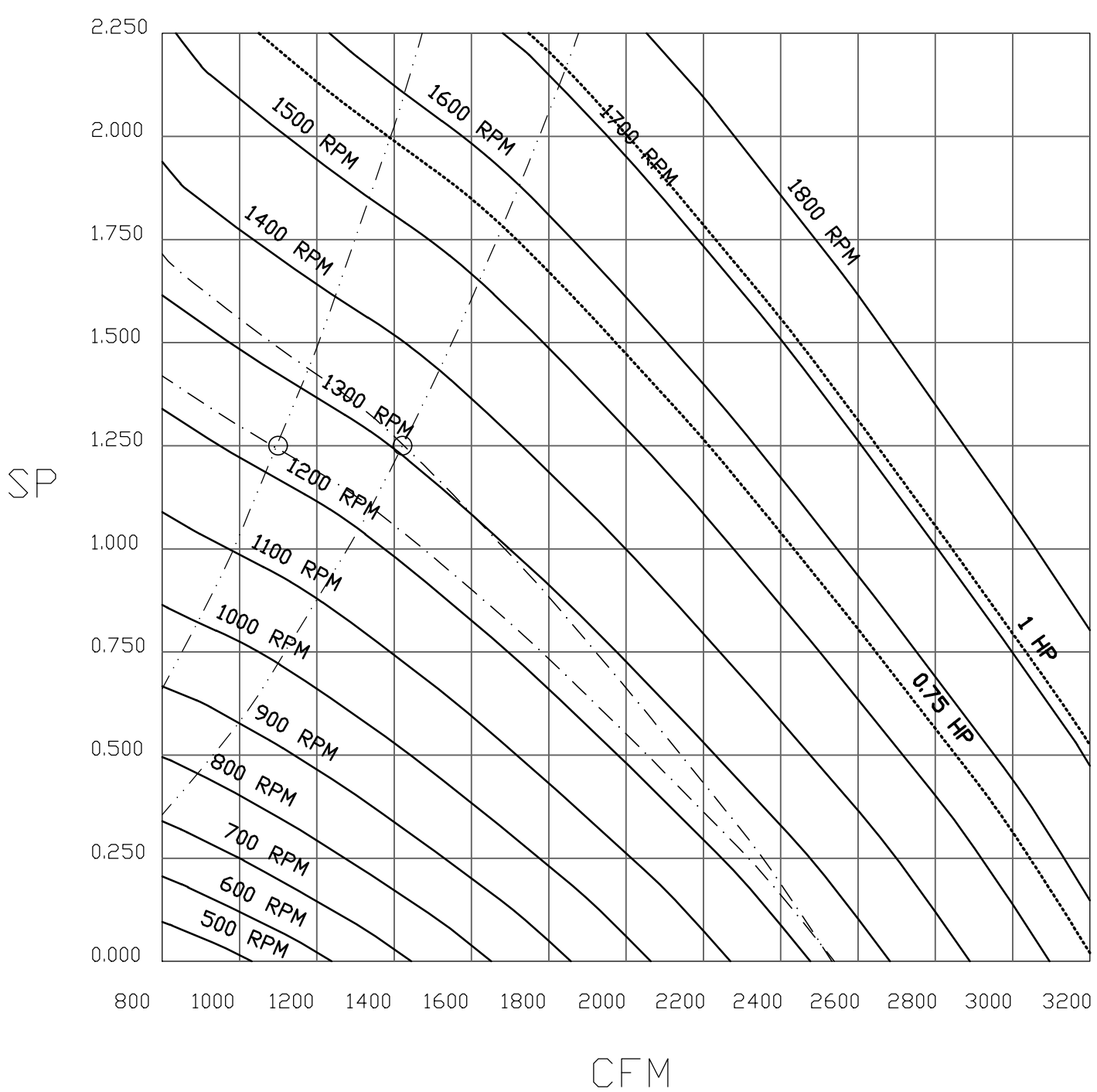
IF ORDERED, CAS SERVICE WILL PERFORM A SYSTEM DESIGN VERIFICATION (SDV) ONCE ALL EQUIPMENT HAS HAD A COMPLETE START UP PER THE OPERATION AND INSTALLATION MANUAL. TYPICALLY, THE SDV WILL BE PERFORMED AFTER ALL INSPECTIONS ARE COMPLETE. ANY FIELD RELATED DISCREPANCIES THAT ARE DISCOVERED DURING THE SDV WILL BE BROUGHT TO THE ATTENTION OF THE GENERAL CONTRACTOR AND CORRESPONDING TRADES ON SITE. THESE ISSUES WILL BE DOCUMENTED AND FORWARDED TO THE APPROPRIATE SALES OFFICE. IF CAS SERVICE HAS TO RESOLVE A DISCREPANCY THAT IS A FIELD ISSUE, THE GENERAL CONTRACTOR WILL BE NOTIFIED AND BILLED FOR THE WORK. SHOULD A RETURN TRIP BE REQUIRED DUE TO ANY FIELD RELATED DISCREPANCY THAT CANNOT BE RESOLVED DURING THE SDV, THERE WILL BE ADDITIONAL TRIP CHARGES.

DURING THE SDV, CAS SERVICE WILL ADDRESS ANY DISCREPANCY THAT IS THE FAULT OF THE MANUFACTURER. SHOULD A RETURN TRIP BE REQUIRED, THE GENERAL CONTRACTOR AND APPROPRIATE SALES OFFICE WILL BE NOTIFIED. THERE WILL BE NO ADDITIONAL CHARGES FOR MANUFACTURER DISCREPANCIES.

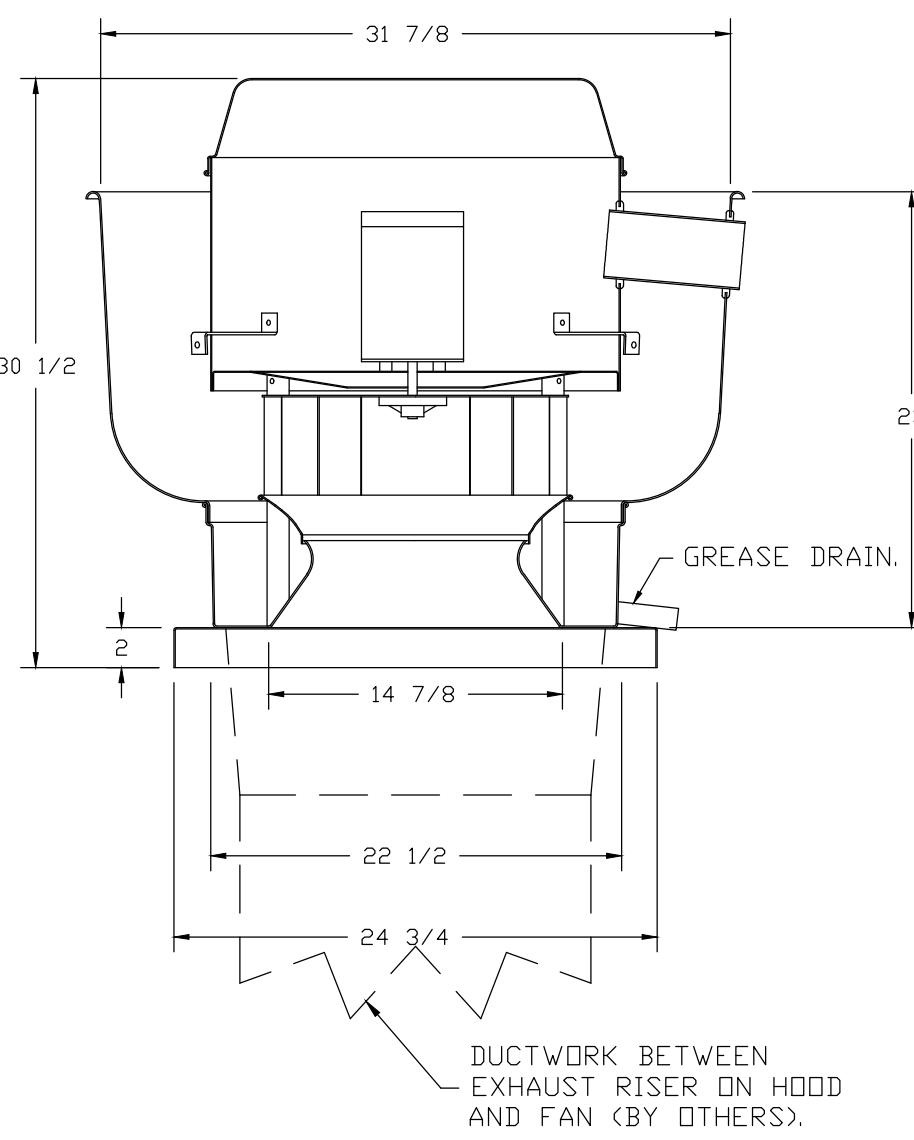
FAN#1 (EF-1) - EXHAUST PERFORMANCE CURVES.
1100 CFM, 1.25 SP @ 1230 RPM AND 0.369 BHP AT 0 FEET AND 70 DEG F.
* PLEASE NOTE THAT THESE CURVES WERE ADJUSTED FOR JOB SPECIFIC TEMPERATURE AND ALTITUDE.

FAN#2 (EF-2) - EXHAUST PERFORMANCE CURVES.
1500 CFM, 1.25 SP @ 1332 RPM AND 0.469 BHP AT 0 FEET AND 70 DEG F.
* PLEASE NOTE THAT THESE CURVES WERE ADJUSTED FOR JOB SPECIFIC TEMPERATURE AND ALTITUDE.

FAN#3 (EF-3) - EXHAUST PERFORMANCE CURVES.
300 CFM, 0.409 SP @ 1500 RPM AND 0.067 BHP AT 60 FEET AND 70 DEG F.
* PLEASE NOTE THAT THESE CURVES WERE ADJUSTED FOR JOB SPECIFIC TEMPERATURE AND ALTITUDE.



FANS #1 (EF-1), #2 (EF-2) DUBSHFA - EXHAUST FAN



FEATURES:

- DIRECT DRIVE CONSTRUCTION (NO BELTS/PULLEYS).
- ROOF MOUNTED FANS.
- RESTAURANT MODEL.
- UL705 AND UL762 AND ULC-S645
- VARIABLE SPEED CONTROL.
- INTERNAL WIRING.
- THERMAL OVERLOAD PROTECTION (SINGLE PHASE).
- HIGH HEAT OPERATION 300°F (149°C).
- GREASE CLASSIFICATION TESTING.
- NEMA 3R SAFETY DISCONNECT SWITCH.

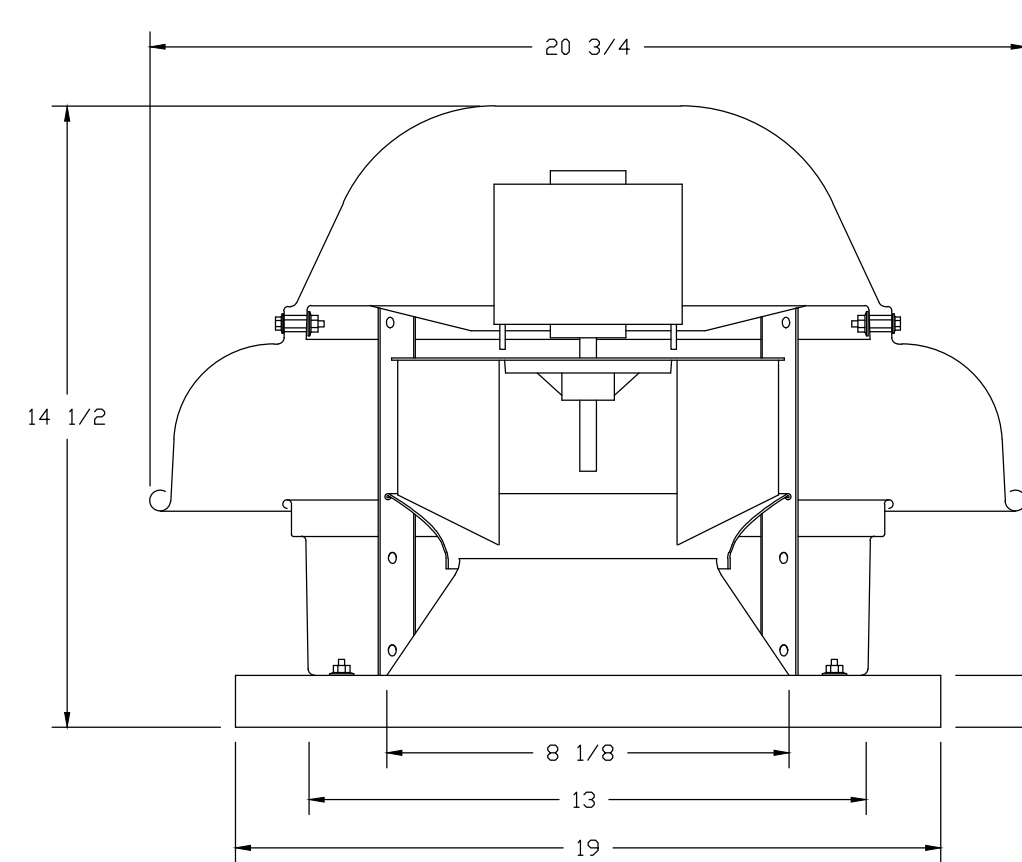
NORMAL TEMPERATURE TEST
EXHAUST FAN MUST OPERATE CONTINUOUSLY WHILE EXHAUSTING AIR AT 300°F (149°C) UNTIL ALL FAN PARTS HAVE REACHED THERMAL EQUILIBRIUM, AND WITHOUT ANY DETRIMENTAL EFFECTS TO THE FAN WHICH WOULD CAUSE UNSAFE OPERATION.

ABNORMAL FLARE-UP TEST
EXHAUST FAN MUST OPERATE CONTINUOUSLY WHILE EXHAUSTING BURNING GREASE VAPORS AT 600°F (316°C) FOR A PERIOD OF 15 MINUTES WITHOUT THE FAN BECOMING DAMAGED TO ANY EXTENT THAT COULD CAUSE AN UNSAFE CONDITION.

OPTIONS

GREASE BOX.
ECM WIRING PACKAGE - MANUAL DR 0-10VDC REFERENCE SPEED CONTROL (TELCO MOTOR), CCW ROTATION.
2 YEAR PARTS WARRANTY.

FAN #3 DR10HFA - EXHAUST FAN (EF-3)

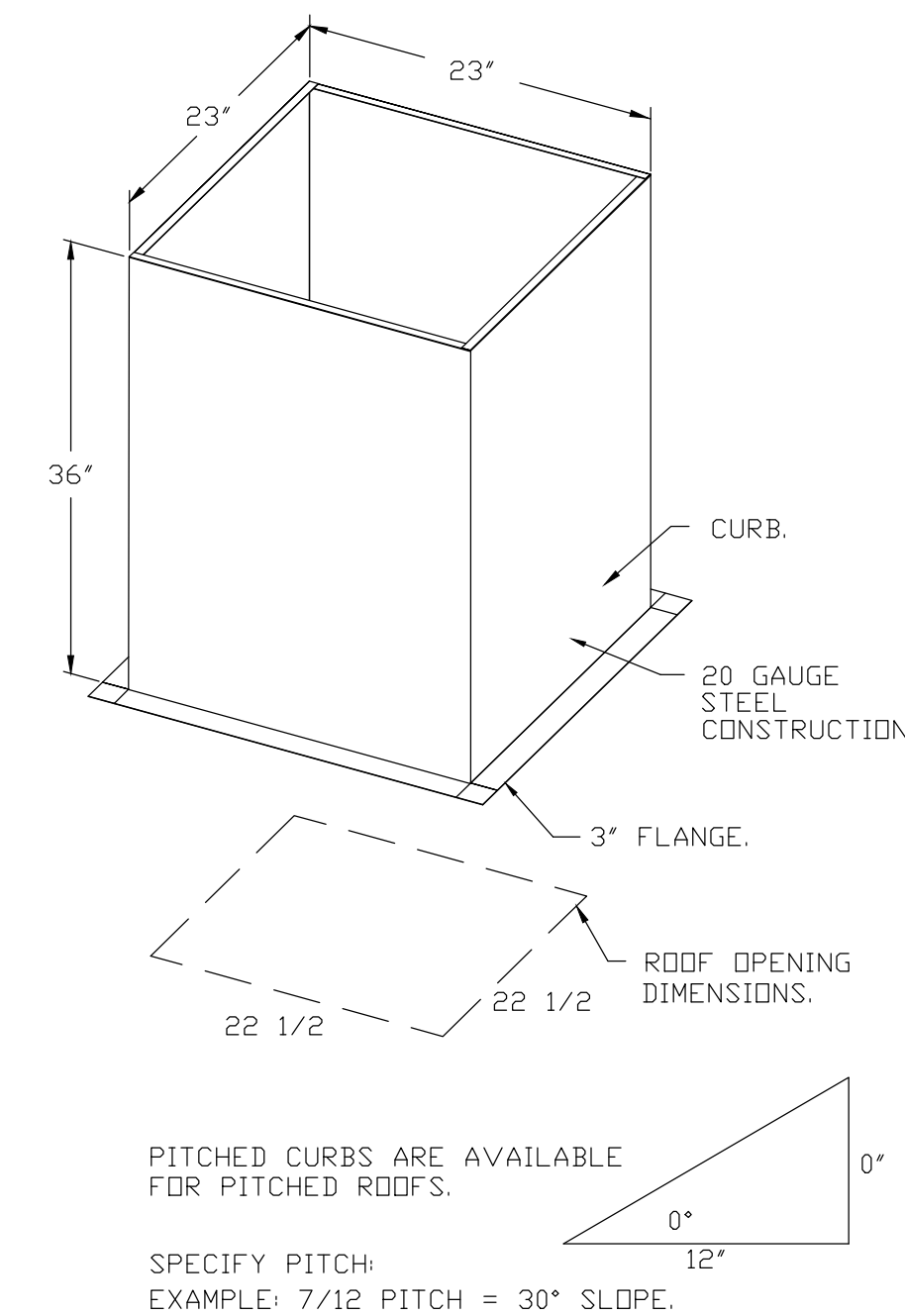


FEATURES:

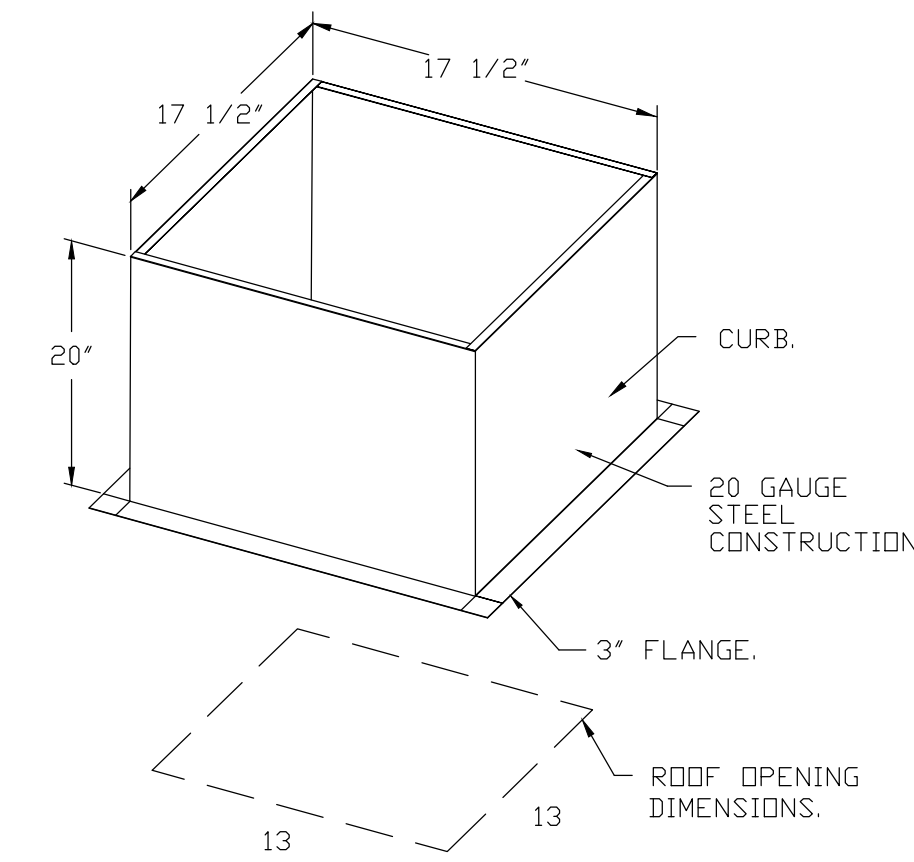
- DIRECT DRIVE CONSTRUCTION (NO BELTS/PULLEYS).
- ROOF MOUNTED FANS.
- UL705.
- SAFETY DISCONNECT.
- STANDARD BIRD SCREEN.
- SPEED CONTROL.

OPTIONS

I 12-BDD DAMPER.
ECM WIRING PACKAGE - MANUAL DR 0-10VDC REFERENCE SPEED CONTROL (TELCO MOTOR), CCW ROTATION.
2 YEAR PARTS WARRANTY.

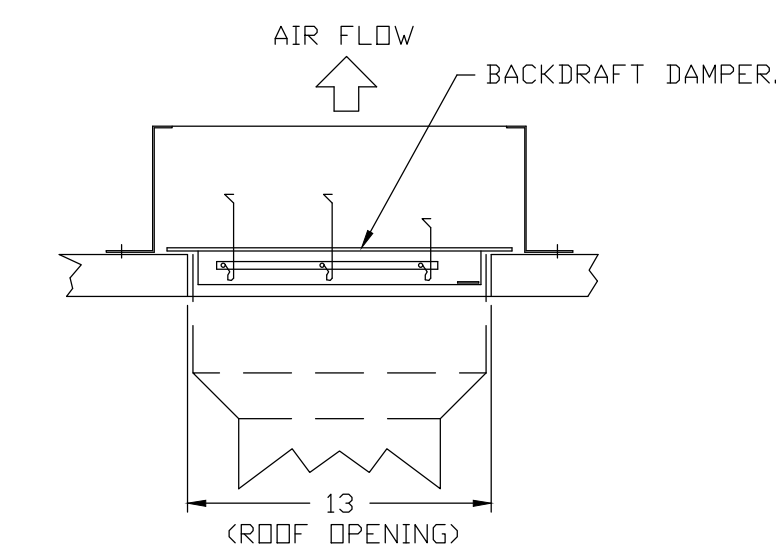


PITCHED CURBS ARE AVAILABLE FOR PITCHED ROOFS.
SPECIFY PITCH:
EXAMPLE: 7/12 PITCH = 30° SLOPE.



PITCHED CURBS ARE AVAILABLE FOR PITCHED ROOFS.
SPECIFY PITCH:
EXAMPLE: 7/12 PITCH = 30° SLOPE.

BACKDRAFT DAMPER INSTALLATION



REVISIONS

REV	DATE	DESCRIPTION
03-03-2022	ISSUED FOR PERMIT	

Wendys
Florida National Accounts
239 N Hunt Club Blvd., STE 201, Longwood, FL 32779 PHONE: (407) 682-3100 FAX: (919) 227-5913 EMAIL: reg00@captivaire.com

DATE: 8/10/2021
DWG.#: 5029147
DRAWN BY: JGE60
SCALE: 3/4" = 1'-0"
MASTER DRAWING

SHEET NO. 4

SITE NUMBER: 13482
BASE MODEL: (2.0) SMART 30+
ASSET TYPE: FREESTANDING
CLASSIFICATION: NEW BUILD
OWNER: LEWIS TOPPER
BASE VERSION: 2021
UPGRADE CLASSIFICATION: FRAN. NEW BUILD
PROJECT YEAR: 2022
FURNITURE PACKAGE: (2.0) UM BRITE
DRAWING RELEASE: SUMMER 2021

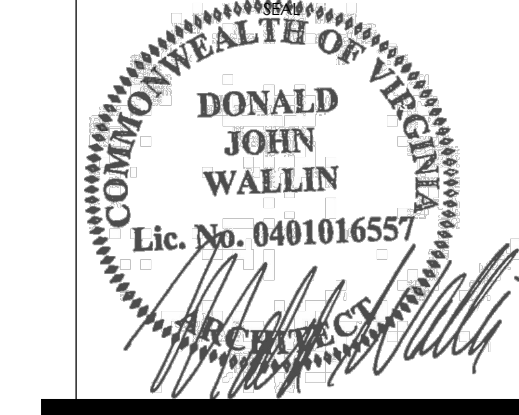
Wallin - Gomez Architects, Ltd.
711 South Dearborn Street
Suite 606
Chicago, IL 60605
Tel: 312-427-4702
Fax: 312-427-6611
e-mail: admin@wgald.com

Wendys
STORE #13482
1310 S. CRAIG AVE
COVINGTON, VA 24426

REV	DATE	DESCRIPTION
03-03-2022	ISSUED FOR PERMIT	

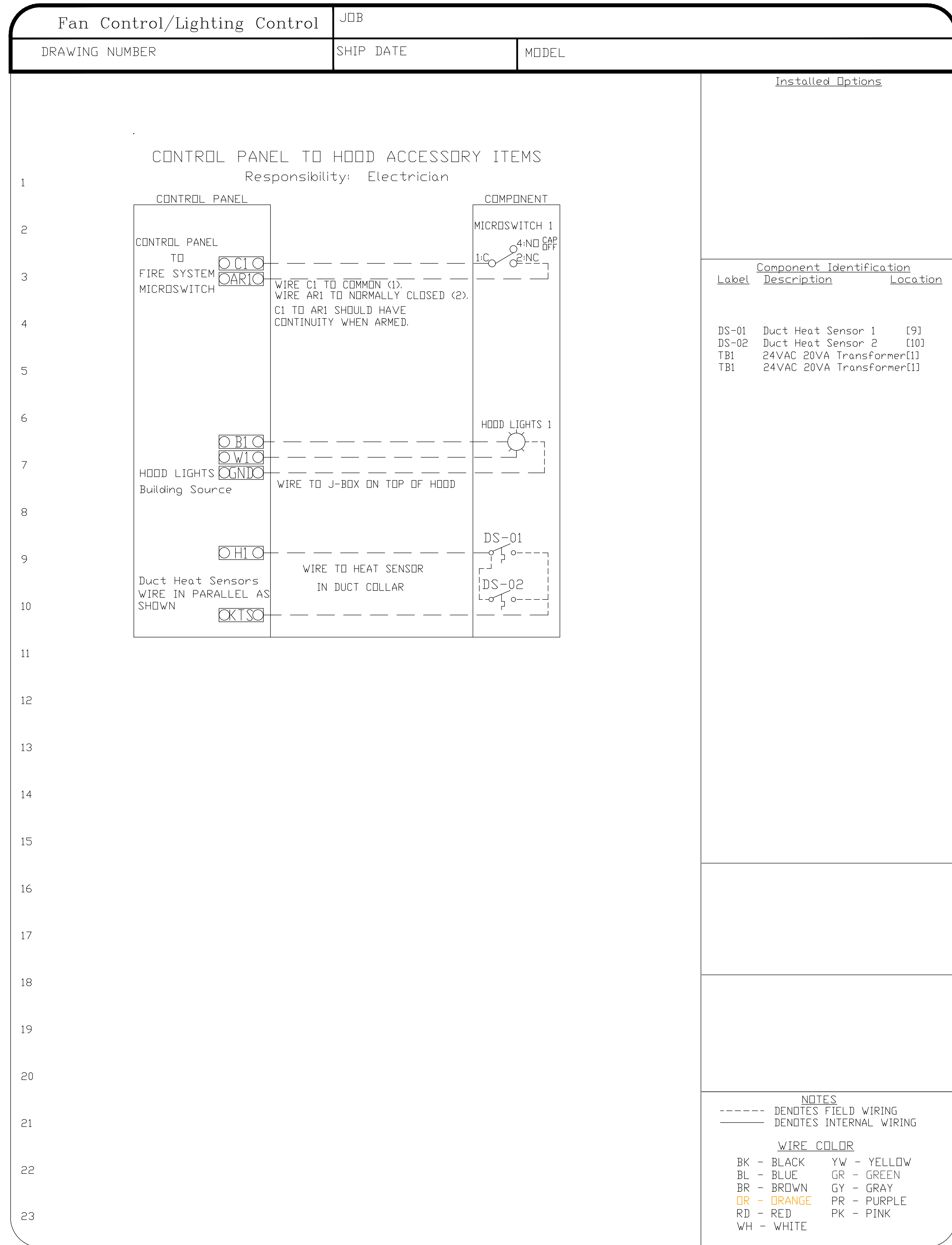
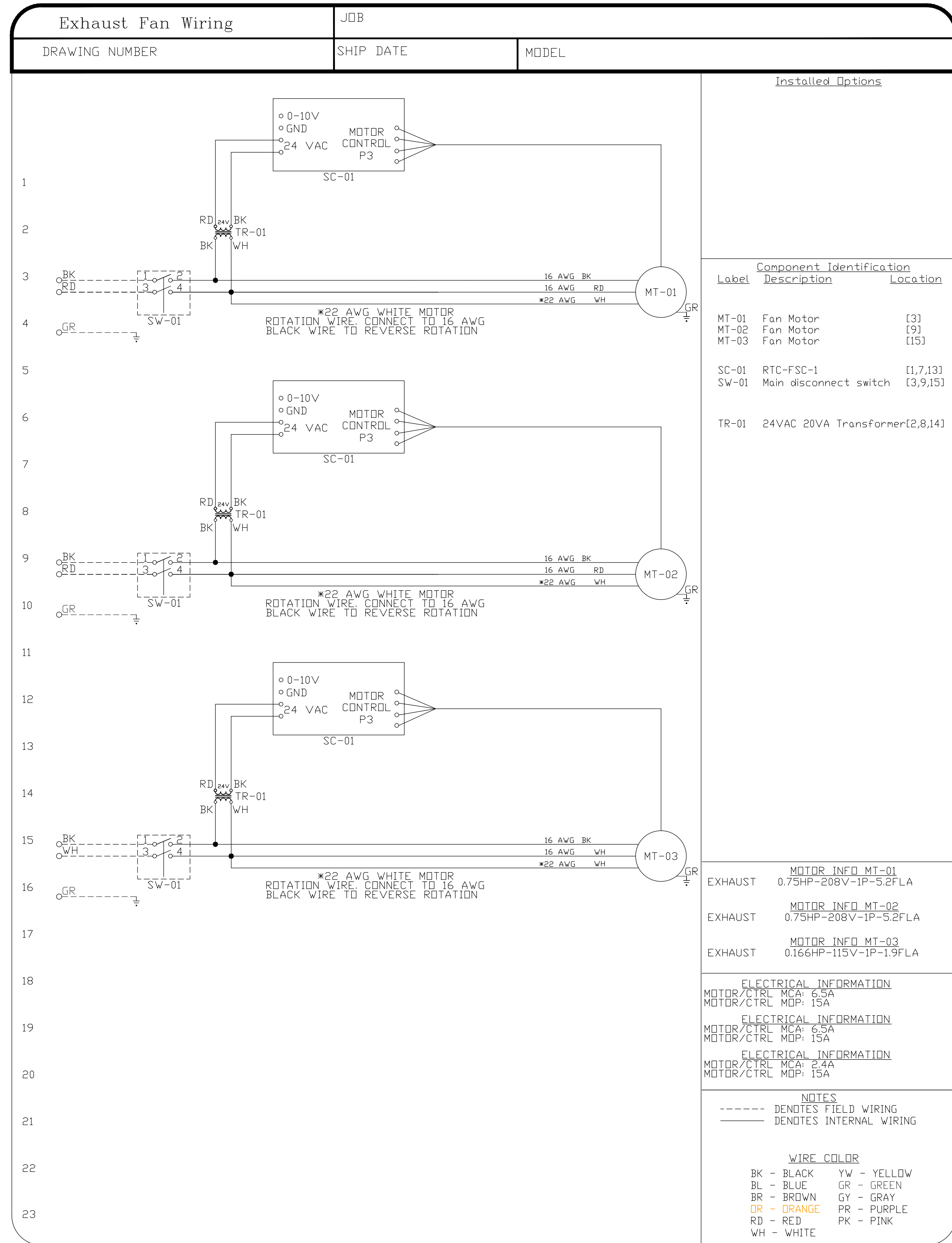
PLOT DATE: 3/3/2022
PROJECT NUMBER: 21119
DRAWN BY: GA
CHECKED BY: DJW

NOTICE: THIS DOCUMENT CONTAINS PROPRIETARY INFORMATION. IT SHALL NOT BE USED OR REPRODUCED OR ITS CONTENTS DISCLOSED, IN WHOLE OR IN PART WITHOUT THE PRIOR WRITTEN CONSENT OF WALLIN / GOMEZ ARCHITECTS, LTD.
THESE DRAWINGS HAVE BEEN PREPARED AT AND / OR UNDER MY SUPERVISION AND TO THE BEST OF MY KNOWLEDGE AND BELIEF CONFORM AND COMPLY WITH THE REQUIREMENTS OF THE DEPARTMENT OF BUILDING AND CODES HAVING JURISDICTION.
COMMONWEALTH OF VIRGINIA
REGISTERED ARCHITECT
DONALD J. WALLIN
EXPIRATION DATE: 10/31/2023



SHEET NAME: FAN DETAILS (CAPTIVE AIRE)

SHEET NUMBER: **H1.4**



REVISIONS	
DESCRIPTION	DATE

www.captiveaire.com

Florida National Accounts

239 N. Hunt Club Blvd., STE 201, Longwood, FL 32779 PHONE: (407) 682-3100 FAX: (919) 227-5913 EMAIL: reg@00@captiveaire.com

Wendys Prototype - US - Single Line Fall 2021

DATE: 8/10/2021
DWG.#: 5029147
DRAWN BY: JGE60
SCALE: 3/4" = 1'-0"
MASTER DRAWING
SHEET NO. 5

SITE NUMBER: 13482 BASE MODEL: (2.0) SMART 30+ ASSET TYPE: FREESTANDING CLASSIFICATION: NEW BUILD OWNER: LEWIS TOPPER BASE VERSION: 2021 UPGRADE CLASSIFICATION: FRAN. NEW BUILD PROJECT YEAR: 2022 FURNITURE PACKAGE: (2.0) UM BRITE DRAWING RELEASE: SUMMER 2021	Wallin - Gomez Architects, Ltd. 711 South Dearborn Street Suite 606 Chicago, IL 60605 Tel: 312-427-4702 Fax: 312-427-6611 e-mail: admin@wgaltd.com
---	---

STORE #13482

1310 S. CRAIG AVE

COVINGTON, VA 24426

REV. DATE DESCRIPTION 03-03-2022 ISSUED FOR PERMIT	PLOT DATE 3/3/2022 PROJECT NUMBER 21119 DRAWN BY GA CHECKED BY DJW
---	---

NOTICE: THIS DOCUMENT CONTAINS PROPRIETARY INFORMATION. IT SHALL NOT BE USED OR REPRODUCED OR ITS CONTENTS DISCLOSED, IN WHOLE OR IN PART WITHOUT THE PRIOR WRITTEN CONSENT OF WALLIN / GOMEZ ARCHITECTS, LTD.

THESE DRAWINGS HAVE BEEN PREPARED AT AND / OR UNDER MY SUPERVISION AND TO THE BEST OF MY KNOWLEDGE AND BELIEF CONFORM AND COMPLY WITH THE REQUIREMENTS OF THE DEPARTMENT OF BUILDING AND CODES HAVING JURISDICTION.

COMMONWEALTH OF VIRGINIA
REGISTERED ARCHITECT
DONALD J. WALLIN
EXPIRATION DATE: 10/31/2023

SHEET NAME
HOOD DETAILS - WIRING (CAPTIVE AIRE)

SHEET NUMBER
H1.5