



COOK



MARK: EF-1

PROJECT: BURLINGTON-CC

DATE: 4/10/2023

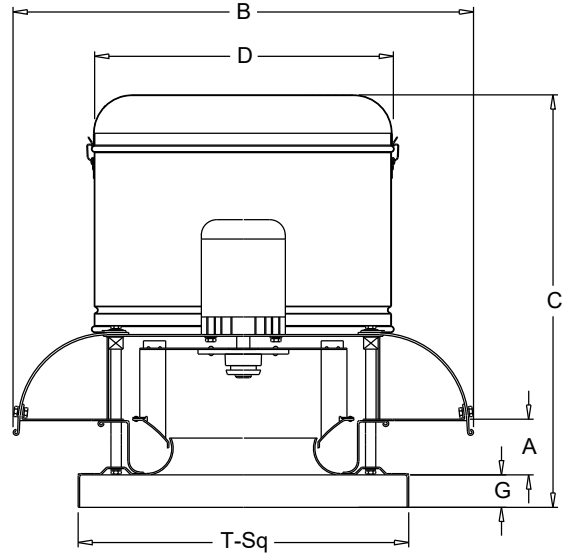
ACED-EC

**Downblast Centrifugal Exhaust Ventilator
Roof Mounted/Direct Drive**

Electronically Commutated Vari-Flow® Motor

STANDARD CONSTRUCTION FEATURES:

All aluminum housing - Backward inclined all aluminum wheel - Two piece top cap with stainless steel quick release latches (sizes 101 - 135) - Welded curb cap corners - Birdscreen - Permanently lubricated ball bearing electronically commutated motor - Power rated in Input Watts - Corrosion resistant fasteners - Transit tested packaging.



Performance

Qty	Catalog Number	Flow (CFM)	SP (inwc)	Fan RPM	Input Watts	FEG	FEI	Speed Control
1	101C17DEC	600	.350	1368	69	n/a(<1HP)	3.19	EC

Altitude (ft): 10 Temperature (F): 70

Motor Information

HP	RPM	Volts/Ph/Hz	Enclosure
1/4	1725	115/1/60	OPEN -EC



Motor is electronically/thermally protected.

Sound Data Inlet Sound Power by Octave Band

1	2	3	4	5	6	7	8	LwA	dBA	Sones
65	67	72	64	59	55	50	46	67	55	7.5

- Distance from Sound source 5 ft

Accessories:

- FAN MOUNTED SPEED CONTROL
- DISCONNECT NEMA 1 PRE-WIRED
- BD-12 DAMPER
- ROOF CURB RCG 16 13.5H -C-T-N
- HURRICANE RATED CONSTRUCTION
- MIAMI-DADE NOTICE OF ACCEPTANCE:
 - TAS-201: Large Missile Impact Test
 - TAS-202: Uniform Static Air Pressure Test
 - TAS-203: Cyclic Wind Pressure Test

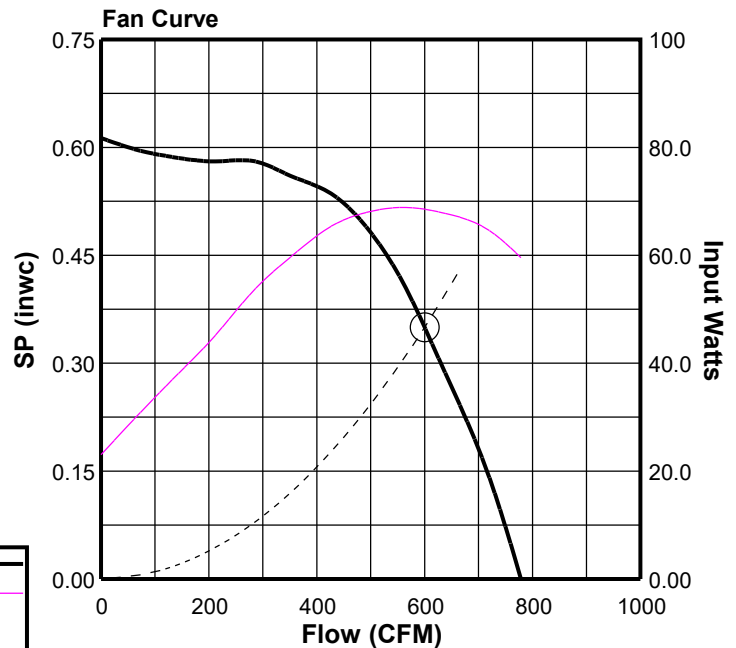
Dimensions (inches)

A	2-3/8
B O.D.	23-9/16
C	21-1/8
D O.D.	16-3/4
G	2
T Sq.	18
Roof Open. Sq.*	13-1/2

NOTE: Accessories may affect dimensions shown.

Weight(lbs)**	Shipping	60 Unit	52

* Roof opening size for curbs supplied by Cook only.
***Includes fan, motor & accessories.





COOK



MARK: EF-2

PROJECT: BURLINGTON-CC

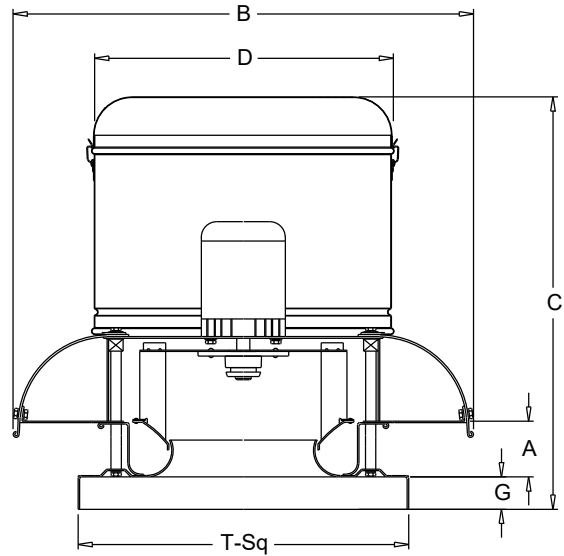
DATE: 4/10/2023

ACE-D

**Downblast Centrifugal Exhaust Ventilator
Roof Mounted/Direct Drive**

STANDARD CONSTRUCTION FEATURES:

All aluminum housing - Backward inclined all aluminum wheel - Two piece top cap with stainless steel quick release latches (sizes 120 - 300) - Welded curb cap corners - Birdscreen - Permanently lubricated ball bearing motors - Corrosion resistant fasteners - Transit tested packaging.



Performance

Qty	Catalog Number	Flow (CFM)	SP (inwc)	Fan RPM	Power (HP)	FEG	Speed Control
1	101C15D	460	.500	1380	.078	n/a(<1HP)	FSC

Altitude (ft): 10 Temperature (F): 70

Motor Information

HP	RPM	Volts/Ph/Hz	Enclosure	TOL
1/8	1550	115/1/60	ODP -SE	Yes

Sound Data Inlet Sound Power by Octave Band

1	2	3	4	5	6	7	8	LwA	dBA	Sones
65	67	72	64	59	55	50	46	67	55	7.5

- Distance from Sound source 5 ft

Accessories:

- DISCONNECT NEMA 1 PRE-WIRED
- BD-12 DAMPER
- ROOF CURB RCG 16 13.5H -C-T-N
- HURRICANE RATED CONSTRUCTION
- MIAMI-DADE NOTICE OF ACCEPTANCE:
- TAS-201: Large Missile Impact Test
- TAS-202: Uniform Static Air Pressure Test
- TAS-203: Cyclic Wind Pressure Test
- FAN SPEED CONTROLLER 5 AMP 120 VOLT

Dimensions (inches)

A	2-3/8
B O.D.	23-9/16
C	21-1/8
D O.D.	16-3/4
G	2
T Sq.	18
Roof Open. Sq.*	13-1/2

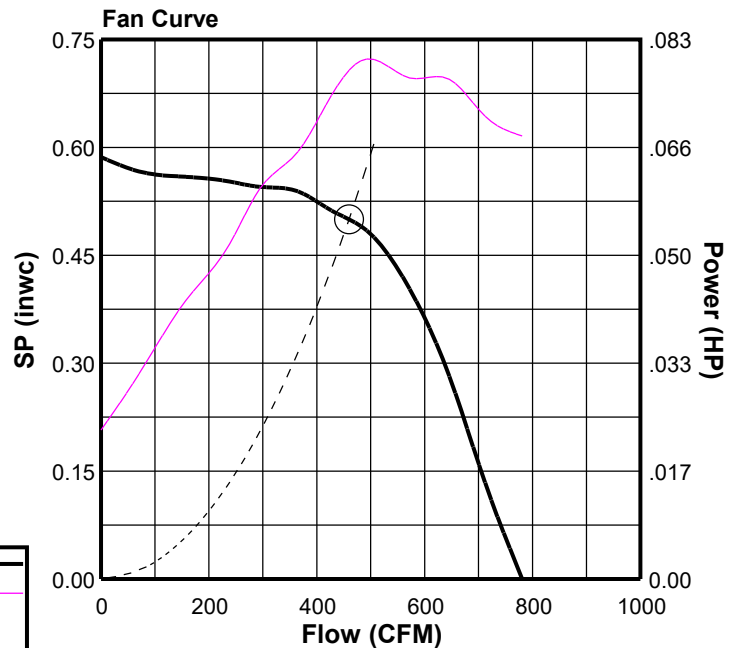
NOTE: Accessories may affect dimensions shown.

Weight(lbs)**	Shipping	62	Unit	54
---------------	----------	----	------	----

* Roof opening size for curbs supplied by Cook only.
**Includes fan, motor & accessories.

Fan Curve Legend

CFM vs SP	—
CFM vs HP	—
Point of Operation	○
System Curve	-----





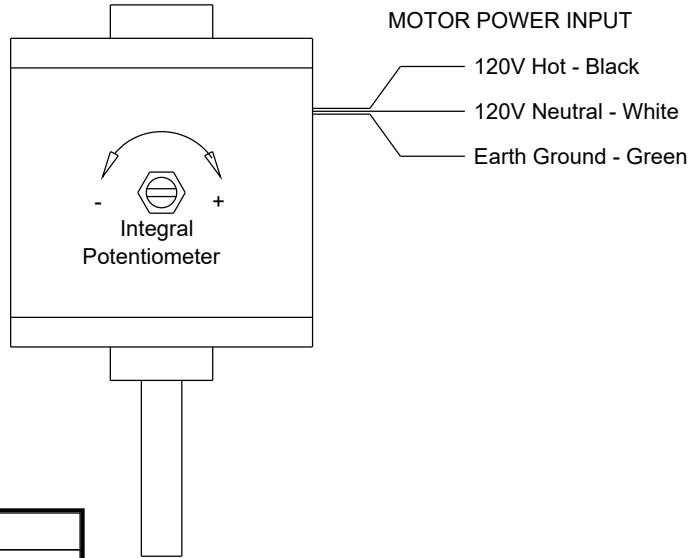
COOK

PROJECT: BURLINGTON-CC
DATE: 4/10/2023

Speed Control

**Internal Speed Control
Electronically Commutated (EC) Motor
Type M**

STANDARD CONSTRUCTION FEATURES:
Integral potentiometer with slotted screw for speed adjustment.



Dimensions (inches)

Mark	Qty	Description
EF-1	1	OPEN -1/4HP - 115V/1 PH/ 60 1725/0000 -EC



BD

Gravity Backdraft Damper

STANDARD CONSTRUCTION FEATURES:

.020 Aluminum blades - .060 aluminum frame -
Aluminum hinge pins - Nylon bushings.

Notes:

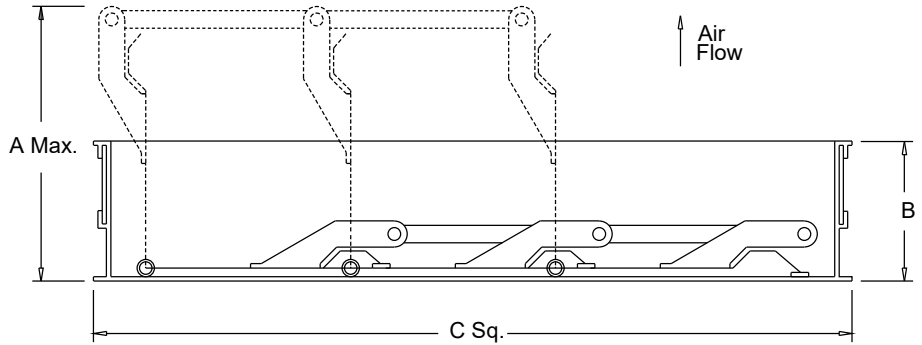
Max. operating temperature 200 Deg F (95 Deg C).

Max. discharge velocity 2000 fpm.

Sizes 36 thru 60 are shipped as 2 panels.

Sizes 66 and 78 are shipped as 6 panels.

These may require assembly.



Dimensions (inches)

Mark	Qty	Description	A Max.	B	C Sq.	# Panels
EF-1	1	BD-12 DAMPER	5-3/16	1-7/8	11-3/4	1
EF-2	1	BD-12 DAMPER	5-3/16	1-7/8	11-3/4	1



RCG

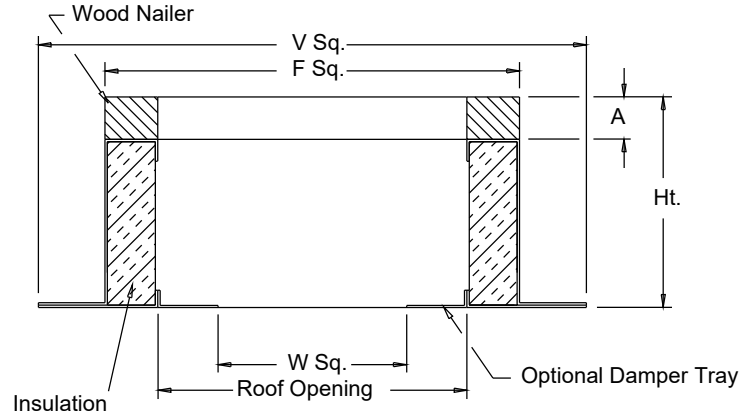
Galvanized Steel Roof Curb

STANDARD CONSTRUCTION FEATURES:

18 gauge galvanized steel - 1-1/2",
 3 lbs. density thermal and acoustical insulation - Continuously welded corners - Wood nailer.

Options:(As noted below*)

- 1) No wood nailer (deduct 1-1/2" for actual height).
- 2) Damper tray.
- 3) Liner.
- 4) Gasket on wood nailer.
- 5) Lorenized coating.
- 6) Enamel coating.
- 7) Burglar bars.



Dimensions (inches)

Mark	Qty	Description	Ht	Options*	A	F Sq.	V Sq.	W Sq.	Roof Opening
EF-1	1	RCG 16	13.5	1;	1-1/2	16-1/2	20-1/2	9-3/4	13-1/2
EF-2	1	RCG 16	13.5	1;	1-1/2	16-1/2	20-1/2	9-3/4	13-1/2



FSC

Fan Speed Controls

STANDARD CONSTRUCTION FEATURES:

PRODUCT DESCRIPTION - Through the "Quadrac" integrated semi-conductor device it is now possible to offer this system with many advantages. Fewer semi-conductor parts mean greater reliability and the passivation process used in the manufacture of the semi-conductor insures long life.

Printed circuit construction eliminates wiring difficulties and guarantees workmanship.

All of these factors serve to offer the most important of all features - quality.

SPEED CONTROL - Positive Off/On action in the control dial. Speed range set to the customer's requirements. **CONTROL RATING** - 120 volts, 60 cycles, 1 phase. Maximum ambient temperature - 120 degree F (5 AMP, 10 AMP, 15 AMP). 220/240 volt, 50/60 cycles, 1 phase. Maximum ambient temperature - 120 degree F (5 AMP, 10 AMP). 220/240 volt model not UL listed. Fan cannot have UL listing if furnished with prewired 220/240 volt FSC. 277 volt, 60 cycles, 1 phase.

Maximum ambient temperature - 120 degree F (5 AMP). **WARNING** - Power must be turned off before installing this unit. **STANDARD INSTALLATION** - Fits any standard single gang box.

Turn off power and connect the two wires on the control to the two switch wires in the usual manner. The connection box is not supplied. **SPECIAL FEATURES** - Complete range control, solid state "Quadrac" integrated circuitry, solid state construction for long reliable operating life, saves on electric bills.

Dimensions (inches)

Mark	Qty	Description
EF-2	1	FSC 5 AMP 120 VOLT

