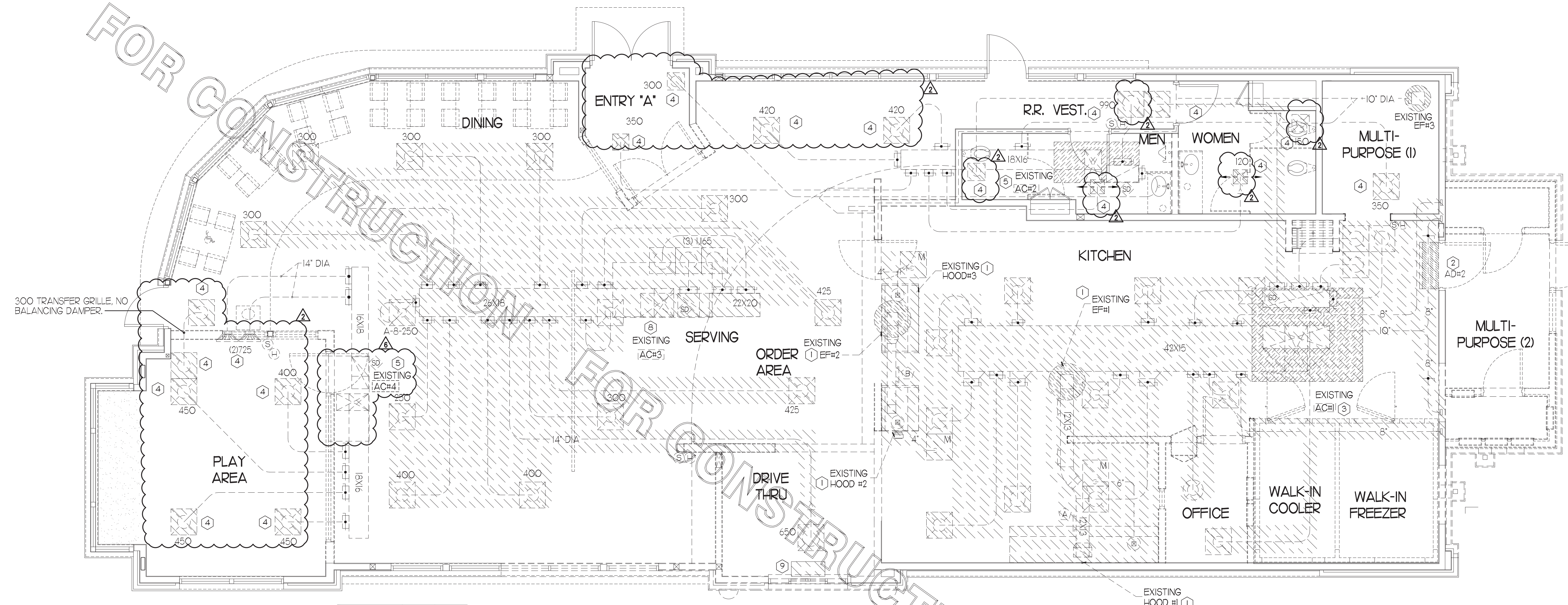


FOR CONSTRUCTION



MECHANICAL DEMOLITION PLAN
1/4" = 1'-0"



DEMOLITION LEGEND

	EXISTING EQUIPMENT, DUCT, AIR DEVICES ETC. TO REMAIN INTACT.
	EXISTING EQUIPMENT, DUCT, AIR DEVICES ETC. TO BE DEMOLISHED.

LEGEND

A-12-400	TYPE - NECK SIZE - CFM	EF#1	EXHAUST FAN #1 (TYP.)
	SPIN-IN FITTING WITH MANUAL BALANCING DAMPER, WITHOUT SCOOP	ACH#1	AIR CONDITIONING UNIT #1 (TYP.)
	SPIN-IN HARD OR FLEXIBLE OR DIFFUSER		RETURN/EXHAUST (TYP.)
	EXISTING EQUIPMENT, DUCT, & AIR DEVICE		SUPPLY DIFFUSER, SQ FACE (TYP.)
	NEW EQUIPMENT, DUCT, & AIR DEVICE		PLAN NOTE REFERENCE
	REMOTE TEMPERATURE SENSOR		MANUAL VOLUME DAMPER
	HUMIDITY SENSOR		DIRECTION OF THROW ON DIFFUSER
	STROBE AUDIO/VISUAL ALARM-ANNUNCIATOR		CO2 SENSOR
	DUCT SIZE (REVERSE FOR ELEVATION VIEWS)		FULL STATION
	1ST NUMBER - HORIZONTAL DIMENSION 2ND NUMBER - VERTICAL DIMENSION		CONTROL PANEL
	POINT OF DISCONNECTION		SMOKE DETECTOR
	POINT OF CONNECTION		
	INDICATES 2-WAY DIFFUSER. INDICATES BLANKED OFF SIDE		

DEMOLITION NOTES

- CONTRACTOR IS RESPONSIBLE FOR OBTAINING ALL NECESSARY PERMITS AND PAYING ALL APPLICABLE FEES.
- DISPOSAL OF EQUIPMENT AND MATERIALS REQUIRED TO BE REMOVED SHALL BE THE RESPONSIBILITY OF THE CONTRACTOR PERFORMING THE WORK.
- DE-ENERGIZE ALL ELECTRICAL CIRCUITS RELATED TO EQUIPMENT THAT WILL BE MOVED OR REMOVE PRIOR TO STARTING WORK. DE-ENERGIZE CIRCUITS SHALL BE PROTECTED WITH LOCKING DEVICES USING APPROPRIATE WARNING LABELS.
- MECHANICAL CONTRACTOR SHALL BE RESPONSIBLE FOR PATCHING ROOF AFTER REMOVAL OF EXISTING MECHANICAL EQUIPMENT. SEE ARCHITECTURAL DRAWINGS FOR ROOF PATCHING REQUIREMENTS.
- EXCEPT WHERE NOTED, EXISTING REMOTE TEMPERATURE AND/OR HUMIDITY SENSORS TO REMAIN. IF DURING RENOVATION PURPOSES CONTROLS SHALL BE TAKEN DOWN. MECHANICAL CONTRACTOR SHALL BE RESPONSIBLE FOR REINSTALLING AND TO PROVIDE ANY ADDITIONAL WIRING NEEDED.
- MECHANICAL CONTRACTOR SHALL PERFORM ROUTINE MAINTENANCE ON EXISTING ROOFTOP UNITS AND MAKE ANY NECESSARY REFRIGERANT WITH NO LEAKS, NEW BELTS AND REPLACE AND FAN MOTORS NECESSARY.
- DISCONNECT GAS PIPING FROM EXISTING ROOFTOP UNIT(S) TO BE REPLACED. PLUMBING CONTRACTOR WILL REMOVE EXISTING GAS PIPING TO BE DEMOLISHED.
- CONTRACTOR SHALL INDICATE SALVAGE VALUE IN BID FOR ROOFTOP UNITS BEING REPLACED.

DEMOLITION KEY NOTES

- DEMOLISH EXISTING KITCHEN HOOD, ALL ASSOCIATED GREASE DUCT, AND EXHAUST FAN ON ROOF. EXISTING EXHAUST FAN TO BE REPLACED, TURN OVER EXISTING EXHAUST FAN TO OWNER. COVER ROOF OPENING WEATHER-TIGHT FOR RE-USE. REFER TO SHEET MJI & M3I FOR FURTHER INFORMATION.
- EXISTING AIR CURTAIN TO BE RELOCATED. SEE SHEET MJI FOR NEW LOCATION.
- REMOVE EXISTING KITCHEN A/C UNIT AND, SUPPLY/RETURN AIR DROPS, ALL ASSOCIATED SUPPLY/RETURN DUCT (UNLESS OTHERWISE NOTED), AIR DEVICES AND TEMPERATURE SENSOR. CAP, SEAL AND COVER EXISTING ROOF CURB WEATHER-TIGHT. DISCONNECT GAS, ELECTRICAL, AND UNIT CONTROLS FROM EXISTING ROOFTOP UNIT. EXISTING ROOFTOP UNIT TO BE REPLACED WITH NEW AS SCHEDULED ON SHEET M3I. SEE SHEETS MJI AND M3I FOR FURTHER INFORMATION. EXISTING UNIT WILL BE RELOCATED TO A NEW LOCATION.
- DETACH AND DEMOLISH EXISTING AIR DEVICE SEE SHEET MJI FOR NEW AIR DEVICE LOCATIONS.
- EXISTING ELECTRIC COOLING/GAS HEATING ROOFTOP HVAC UNIT AND ASSOCIATED TEMPERATURE SENSOR TO REMAIN. REFER TO SHEET M3I FOR FURTHER INFORMATION.
- EXISTING AIR DEVICE TO REMAIN.
- NOT USED
- CAREFULLY REMOVE EXISTING A/C UNIT AND TEMPERATURE SENSOR. CAP, SEAL AND COVER EXISTING ROOF CURB WEATHER-TIGHT. DISCONNECT GAS, ELECTRICAL, AND UNIT CONTROLS FROM EXISTING ROOFTOP UNIT. EXISTING ROOFTOP UNIT TO BE REPLACED WITH NEW AS SCHEDULED ON SHEET M3I. SEE SHEETS MJI AND M3I FOR FURTHER INFORMATION. EXISTING UNIT WILL BE RELOCATED TO A NEW LOCATION. CONFIRM WITH FEQ TO CAREFULLY REMOVE EXISTING ROOFTOP UNITS.
- EXISTING AIR CURTAIN TO BE REPLACED WITH NEW AD#1. REFER TO MJI AND M3I.

FIELD VERIFY ALL CONDITIONS

NOTE: AS NOTED IN THE SPECIFICATIONS, ALL WIRING LAYOUTS, PIPING LAYOUTS AND DUCT LAYOUTS ARE SCHEMATIC. EXACT LOCATIONS SHALL BE DETERMINED BY THE CONSTRUCTION AND STRUCTURE OF THE BUILDING AND SHALL BE VERIFIED AND COORDINATED IN THE FIELD. EACH TRADE CONTRACTOR SHALL VERIFY WITH THE GENERAL CONTRACTOR THAT HE HAS THOROUGHLY REVIEWED AND COORDINATED ALL LOCATIONS AND ROUTINGS WITH ALL OTHER TRADES PRIOR TO FABRICATION OF CONDUITS, DUCTS, OR PIPING, AND START OF INSTALLATION OF SAME (INCLUDING SPRINKLER PIPING WHEN PRESENT ON JOB). ANY INSTALLATION OR CONSTRUCTION CONFLICTS WHICH OCCUR IN THE FIELD SHALL BE RESOLVED BY THE TRADE CONTRACTOR TO THE SATISFACTION OF THE OWNER AND ARCHITECT AND AT NO EXPENSE TO THE OWNER, ARCHITECT AND/OR GENERAL CONTRACTOR.

THE CONTRACTOR SHALL CONTACT THE ARCHITECT, ENGINEER OR OWNER PRIOR TO BIDDING FOR INTERPRETATIONS AND CLARIFICATIONS OF THE DESIGN AND INCLUDE IN HIS BID ALL COSTS TO MEET THE DESIGN INTENT. CLARIFICATIONS MADE BY THE ARCHITECT, ENGINEER OR OWNER AFTER BIDDING WILL BE FINAL AND SHALL BE IMPLEMENTED AT CONTRACTORS COST.

BIDDING CONTRACTORS SHALL HAVE A WORKING KNOWLEDGE OF LOCAL CODES AND ORDINANCES AND SHALL INCLUDE IN THEIR BIDS THE COSTS FOR ALL WORK INSTALLED IN STRICT ACCORDANCE WITH GOVERNING CODES, THE PLANS AND SPECIFICATIONS NOT WITHSTANDING. THE CONTRACTOR SHALL ALERT ARCHITECT, ENGINEER OR OWNER OF ANY APPARENT DISCREPANCIES BETWEEN GOVERNING CODES AND DESIGN INTENT.



Chick-fil-A

5200 Buffington Rd.
Atlanta Georgia,
30349-2998

Revisions:
Mark Date By
2 10/11/21 CH
BIR UPDATE

6 11/19/21 CH
RTU UPDATES

3



INTERPLAN
INTERPLAN LLC
AR0011595
CA 8660
ARCHITECTURE
ENGINEERING
PERMITTING
220 E. CENTRAL PKWY. STE 4000
ALPHARETTA SPRINGS, GA 32001
407.645.5008

STORE
STONEBRIDGE
VILLAGE FSU
S06N-98R

5905 SPROUT
SPRINGS RD. FLOWERY
BRANCH, GA 30542

SHEET TITLE
MECHANICAL
DEMO PLAN

VERSION: -
ISSUE DATE: -

Job No. : 18.0772
Store : 02110
Date : 09/2021
Drawn By : CH
Checked By : DAK

Sheet
MI.0

KITCHEN HOOD SYSTEMS NOTES

- CHICK-FIL-A MAINTAINS A NATIONAL ACCOUNT WITH HALTON CO. FOR THE HOODS. CHICK-FIL-A WILL PURCHASE AND PROVIDE THE HOODS FOR INSTALLATION BY THE MECHANICAL CONTRACTOR. THE MECHANICAL CONTRACTOR SHALL BE RESPONSIBLE FOR RECEIVING THE HOODS. CONTACT HALTON CO. AT 270-237-5600 FOR MORE INFO.
- THE FIRE SUPPRESSION SYSTEM SHALL CONSIST OF A COMPLETE WET ANSUL SYSTEM FURNISHED BY HALTON. THE HOOD SHALL BE FURNISHED PRE-PIPED BY HALTON.
- THE R-102 ANSUL FIRE SUPPRESSION SYSTEM EXTERNAL TO THE HOODS SHALL BE INSTALLED IN ACCORDANCE WITH HOOD MANUFACTURER'S SHOP DRAWINGS BY AN AUTHORIZED ANSUL SYSTEM INSTALLER HIRED BY HALTON.
- HOOD EXHAUST DUCTWORK SHALL BE 16 GA. BLACK STEEL WITH CONTINUOUS LIQUID TIGHT WELD OF JOINTS & SEAMS.
- URNS IN GREASE EXHAUST DUCTWORK SHALL BE LONG RADIUS TYPE, WITH A CENTERLINE RADIUS R=3W/2, NO EXCEPTIONS ALLOWED. NO MITERED FITTINGS ALLOWED.
- ALL STAINLESS STEEL CLOSURE PANELS SHALL BE SUPPLIED BY HOOD MANUFACTURER AND INSTALLED BY THE MECHANICAL CONTRACTOR ACCORDING TO MANUFACTURER'S RECOMMENDATIONS.
- SLOPE ALL GREASE EXHAUST DUCT BACK TO HOOD AT 1/4" PER FOOT OF RUN.
- WRAP NEW GREASE DUCT WITH UNIFRAX FyreWRAP. INSULATION ON ACCESS DOORS SHALL BE INSTALLED ACCORDING TO MANUFACTURER'S INSTALLATION RECOMMENDATIONS. UNIFRAX FyreWRAP PRODUCT USED SHALL MEET LOCAL CODE REQUIREMENTS.
- SUPPORT HOOD#1L, #1R, #2,#3 WITH THREADED ROD AT EACH FACTORY SUPPORT POINT. EACH SUPPORT POINT MUST SUPPORT THE HOOD WEIGHT EQUALLY. ATTACH TO STRUCTURE AS DETAILED ON STRUCTURAL DRAWINGS.

HOOD SCHEDULE

MARK	EXHAUST CFM	SP • TAB PORT	CAPTURE JET CFM & SP.	TYPE	COLLAR SIZE	WIDTH	DEPTH	HEIGHT	MANUFACTURER	MODEL	REMARKS
NEW HOOD#1L	832	0.23	55 • 0.30"	CANOPY	9"X8"	74	37	38	HALTON	KVL-2	1
NEW HOOD#1R	1080	0.24	72 • 0.30"	CANOPY	11"X8"	96	37	38	HALTON	KVL-2	1
NEW HOOD#2	701	0.39	30 • 0.29"	CANOPY	8"X8"	42	34	38	HALTON	KVL-C	1
NEW HOOD#3	390	0.42	18 • 0.30"	CANOPY	8"X8"	24	31	38	HALTON	KVL-D	1

NOTES
DIMENSIONS OF HOODS INCLUDE BACK AND SIDE SPACERS (HEIGHT DOES NOT INCLUDE CLOSURE PANELS).

REMARKS
1. TYPICAL INSTALLATION FOR NEW HOODS. FIELD VERIFY & COORDINATE WITH HOOD DRAWINGS BY HALTON. REFER TO SHEET M-H1 & M-H2 PRIOR TO BID & CONSTRUCTION.

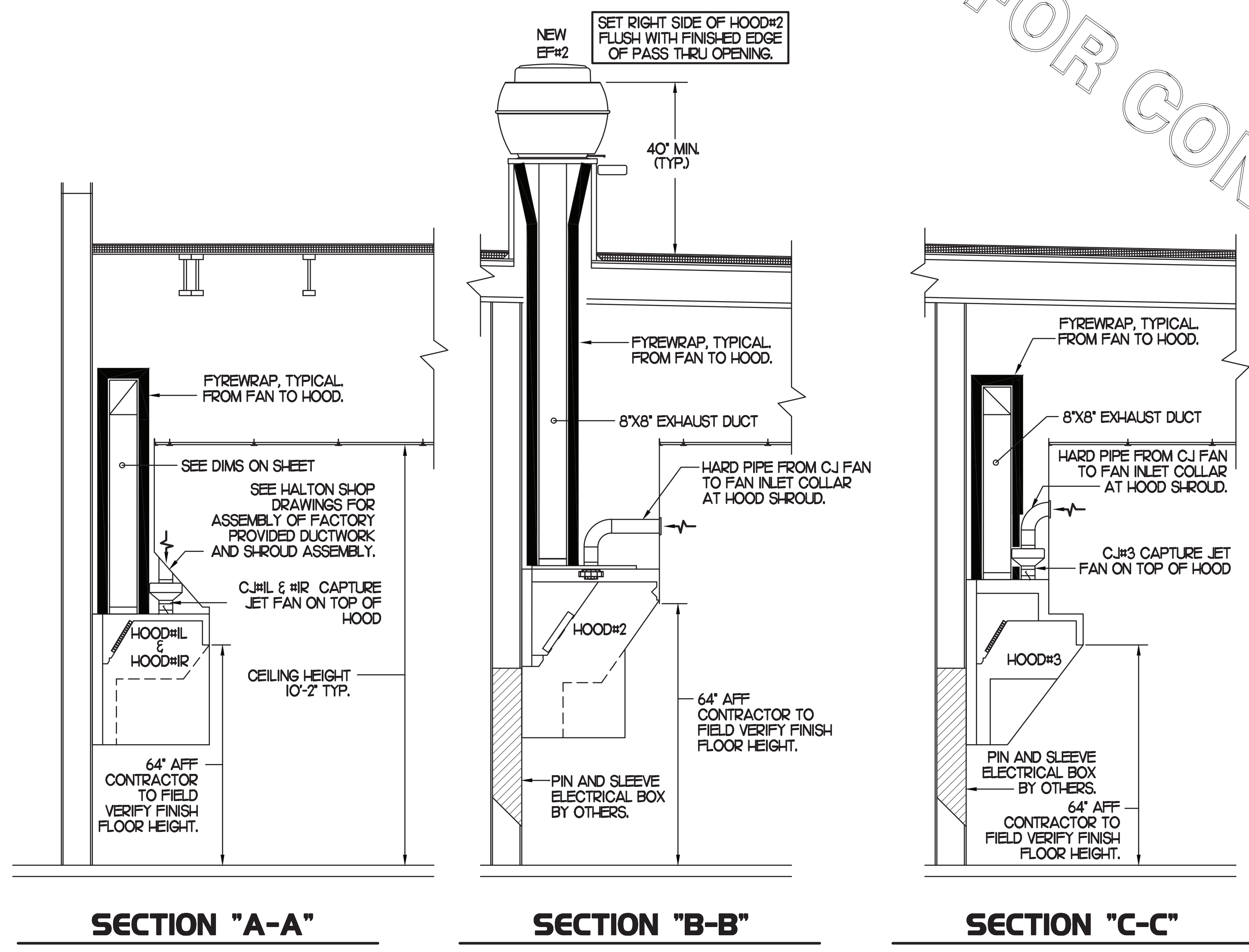
GREASE EXHAUST DUCT CLEARANCE NOTE:
CLEARANCES ABOVE CEILING ARE TIGHT. MECHANICAL CONTRACTOR TO FIELD VERIFY EXACT ROUTING AND CLEARANCES PRIOR TO FABRICATING GREASE EXHAUST DUCT.

CAPTURE JET NOTE:
REFER TO "CAPTURE-JET FAN INSTALLATION AND DIMENSIONAL DATA" SCHEDULE ON HALTON SHOP DRAWINGS (SHEET M-H1) FOR INFORMATION ON CAPTURE JET FAN.

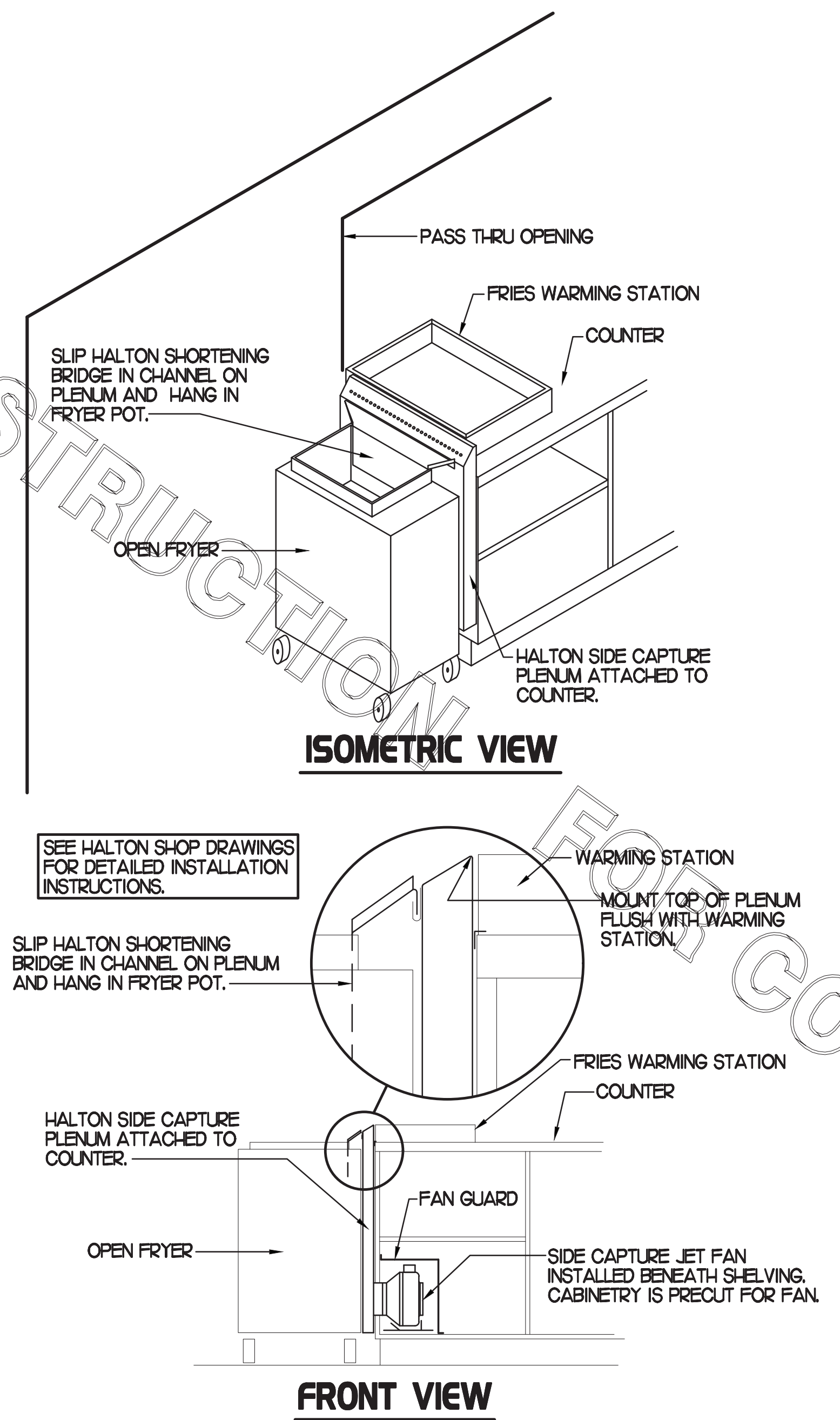
CLEANOUT DOOR NOTE:
DUCT WRAP SHALL BE APPLIED TO THE CLEANOUT DOOR PER THE WRAP MFR'S INSTALLATION INSTRUCTIONS, NO EXCEPTIONS. ALSO, THE CLEANOUT DOOR MUST BE REMOVABLE WITHOUT TOOLS AND MUST BE CLEARLY AND PERMANENTLY LABELED.

HOOD ELEVATION NOTE:
HOOD ELEVATIONS ON THIS SHEET ONLY SERVE ILLUSTRATIVE PURPOSES. SEE DETAILS ON HALTON SHOP DRAWINGS ON SHEET M-H1 FOR DETAILS ON STANDOFFS, CLEARANCES, AND HOOD CONSTRUCTION.

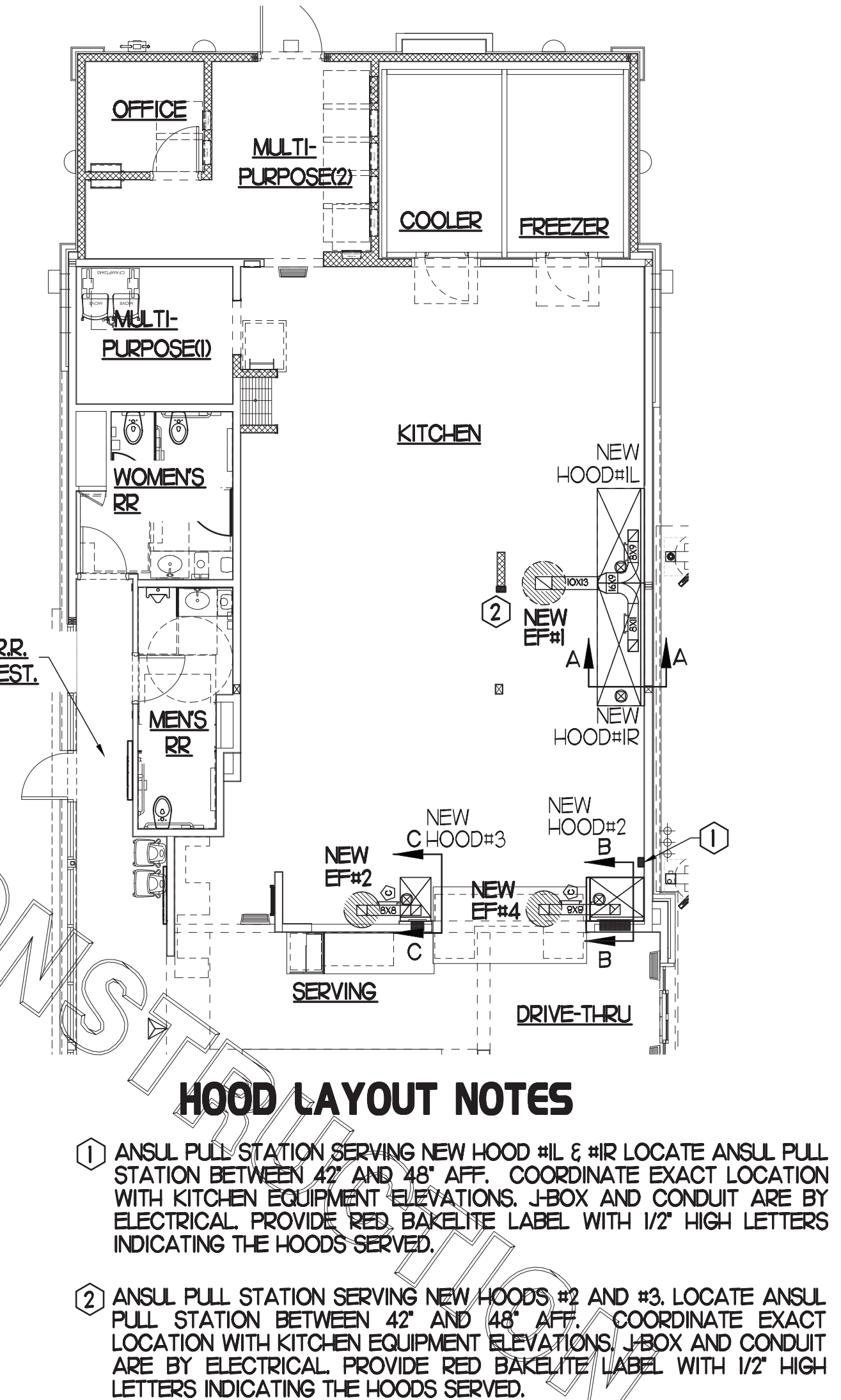
NOTE:
ALL NEW HOODS SHALL BE RATED WITH ONE INCH THICK LAYER OF FACTORY INSTALLED INSULATION TO MEET "ZERO INCH CLEARANCE" TO COMBUSTIBLE MATERIALS. HOOD SHALL BE CERTIFIED BY ETL SPECIFICATIONS, AND SHALL CONFORM TO UL STANDARD 710, BUILT PER NFPA 96 SECTION 4.2.2., AND NSF LISTED.



3 HOOD ELEVATIONS
SCALE: NONE

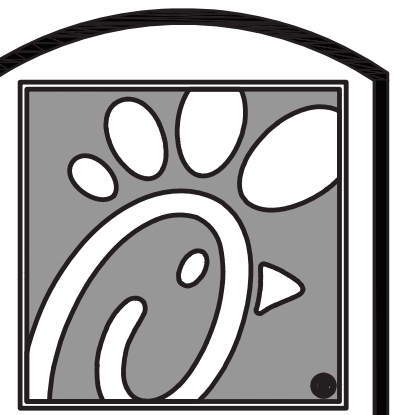


2 HALTON SIDE CAPTURE JET PLENUM
SCALE: NONE



1 HOOD LAYOUT
1/8"=1'-0"

- HOOD LAYOUT NOTES**
- ANSUL PULL STATION SERVING NEW HOOD #1L & #1R LOCATE ANSUL PULL STATION BETWEEN 42" AND 48" AFF. COORDINATE EXACT LOCATION WITH KITCHEN EQUIPMENT ELEVATIONS. J-BOX AND CONDUIT ARE BY ELECTRICAL. PROVIDE RED BAKELITE LABEL WITH 1/2" HIGH LETTERS INDICATING THE HOODS SERVED.
 - ANSUL PULL STATION SERVING NEW HOODS #2 AND #3. LOCATE ANSUL PULL STATION BETWEEN 42" AND 48" AFF. COORDINATE EXACT LOCATION WITH KITCHEN EQUIPMENT ELEVATIONS. J-BOX AND CONDUIT ARE BY ELECTRICAL. PROVIDE RED BAKELITE LABEL WITH 1/2" HIGH LETTERS INDICATING THE HOODS SERVED.



5200 Buffington Rd.
Atlanta Georgia,
30349-2998

Revisions:

Mark	Date	By
△		
△		
△		
△		



INTERPLAN
INTERPLAN LLC
AR0011595
CA 8640
ARCHITECTURE
ENGINEERING
PERMITTING
220 E. CENTRAL PKWY. STE 4000
ALPHARETTA SPRINGS, GA 32001
407.645.5008

STORE
STONEBRIDGE
VILLAGE FSU
S06N-98R

5905 SPROUT
SPRINGS RD. FLOWERY
BRANCH, GA 30542

SHEET TITLE
HOOD DETAILS
& SCHEDULE

VERSION:
ISSUE DATE:

Job No. : 18.0772
Store : 02110
Date : 09/2021
Drawn By : CH
Checked By: DAK

Sheet
M2.1

GAS FIRED ROOFTOP UNIT SCHEDULE

MARK	TONNAGE	AREA SERVED	COOLING CAPACITY (MBH)		HEATING CAPACITY (MBH)		FAN SECTION (CFM)			EXISTING MANUFACTURER/ MODEL	NEW MANUFACTURER/ MODEL	ARI RATINGS	PERCENTAGE OF OUTDOOR AIR	ELECTRICAL DATA			REMARKS	APPROX. NET WEIGHT INCLUDING OPTIONS				
			TOTAL	SENS	INPUT	OUTPUT	STAGES	SUPPLY	O.A.					HP	ESP	VOLT/PHASE			MCA	MOCF		
NEW AC#1	25.0	KITCHEN	294.5	226.8	480.0	384.0	2	8,750	1850	10	10	L60260S2B42Y	LENNOX LG-300S4B	10.5	EEB/10.9	ERR	21.0%	208/3/60	142	150	13,45,7,8,9,10,11,12,14	2,971 LBS
EXISTING AC#2	5	DINING A	-	-	-	-	-	1800	350	-	-	LGH1024425Y	-	-	-	-	19.0%	-	-	-	17	-
NEW AC#3	17.5	S. DINING B	204.0	198.0	480.0	312.0	2	5,250	1,275	3	45	LGH5044B4	LENNOX LG-210H4B	12.0	EEB/13.0	FEER	24.0%	208/3/60	86	100	13,4,5,7,8,9,10,11,12,14	2,525 LBS
EXISTING AC#4	5	PLAYGROUND	-	-	-	-	-	1,800	350	-	-	L6A060H2	-	-	-	-	19.0%	-	-	-	17	-
NEW AC#5	3	MULTI-PURPOSE	25.8	27.6	65.0	52.0	1	1,100	250	5	45	LENNOX LG-H039H4E	LENNOX LG-H039H4E	12.7	EEB/18.0	SEER	23.0%	208/3/60	23	30	2,3,4,6,7,8,9,10,11,12,13,14,15	796 LBS

ALL NEW ROOFTOP UNITS SHALL INCLUDE A HUMIDITROL OPTION WITH FACTORY WALL MOUNTED HUMIDITY SENSOR.

1. PROVIDE DIFFERENTIAL ENTHALPY ECONOMIZER WITH POWER EXHAUST.
2. PROVIDE DIFFERENTIAL ENTHALPY ECONOMIZER WITH BAROMETRIC EXHAUST.
3. PROVIDE NEW 1/4" HIGH ROOF CURB.
4. SEE DETAIL M42 FOR SETTING OF PRODIGY M3 AND M-8 IMC BOARD CONTROL/LECTO PARAMETERS BY MC.
5. PROVIDE FACTORY INSTALLED AND UNIT POWERED ISV GFI SERVICE OUTLET.
6. PROVIDE FACTORY INSTALLED ISV GFI SERVICE OUTLET.
7. PROVIDE FACTORY INSTALLED RETURN AND SUPPLY-SIDE SMOKE DETECTOR.
8. PROVIDE FACTORY INSTALLED NON-FUSED DISCONNECT.
9. PROVIDE 2" MERV 8 THROW AWAY FILTERS.
10. PROVIDE HINGED PANELS FOR FILTER ACCESS, FAN MOTOR ACCESS, COMPRESSOR ACCESS AND CONTROL COMPARTMENT ACCESS.
11. ADJUST GAS MANIFOLD PRESSURE AT LOCATIONS WHERE ELEVATION EXCEEDS 2000' ABOVE SEA LEVEL AS RECOMMENDED BY MANUFACTURER.
12. PROVIDE FACTORY COIL HALL GUARD, FIELD INSTALLED.
13. PROVIDE UNIT WITH MS4V BLOWER.
14. PROVIDE HUMIDITROL OPTION WITH FACTORY WALL MOUNTED HUMIDITY SENSOR (STATES OF CA AND AZ EXCLUDED).
15. PROVIDE FACTORY INSTALLED BELT TENSIONER.
16. REPLACE EXISTING LENNOX ROOFTOP UNIT WITH NEW SAME SIZE WITH THE SAME MANUFACTURER LENNOX PLACED ON SAME LOCATION ON EXISTING CURB.
17. EXISTING UNIT TO REMAIN

- CONTRACTOR SHALL VERIFY EXACT ELECTRICAL CONNECTIONS, WIRE SIZES, BREAKERS, DISCONNECT, ETC. FOR THE NEW ROOFTOP UNITS PRIOR TO ORDERING AND BID.
- TEST AND BALANCE REPORT SHALL BE DONE PRIOR TO STORE TURNOVER AND SUBMITTED TO CFA'S CONSTRUCTION MANAGER AND TO ENGINEER OF RECORD.
- NEW HVAC EQUIPMENTS SHALL BE INSTALLED IN ACCORDANCE WITH THE MANUFACTURER'S INSTALLATION INSTRUCTIONS INCLUDING CLEARANCES. E SHALL MEET ALL LOCAL AND STATE CODE REQUIREMENTS. INSTRUCTIONS SHALL BE ON SITE AND AVAILABLE FOR ALL INSPECTIONS, SERVICE, REPAIR, OR REPLACEMENT.
- NEW ROOFTOP UNITS ONLY, MECHANICAL CONTRACTOR SHALL RELOCATE THE FACTORY INSTALLED SUPPLY SIDE SMOKE DETECTOR FROM THE BLOWER SECTION TO THE SUPPLY DUCT DROP ABOVE THE FIRST 90 DEGREE DUCT FITTING.
- NEW ROOFTOP UNITS ONLY, THE MECHANICAL CONTRACTOR SHALL SPLICE NEW PLENUM RATED CABLE BETWEEN THE FACTORY SMOKE DETECTOR AND THE FACTORY JACK PLUG. THE NEW WIRING SHALL BE ROUTED THRU THE ROOFTOP UNIT BASEPAN RACEWAY. SPLICES SHALL BE JOINED WITH CRIMP ON FITTINGS AND HEAT SHRINK JACKETS.

EXHAUST FAN SCHEDULE

MARK	CFM	ESP	RPM	TIP SPEED (FPM)	HP	AREA SERVED	MODEL	MANUFACTURER	REMARKS
NEW EF-1	1,912	.65	964	4,164	1/2	NEW HOOD#2	165V5B	LOREN COOK	12,3,4,5,6
NEW EF-2	990	.75	1,238	4,861	1/3	NEW HOOD#4	150V4B	LOREN COOK	12,3,4,5,6
EXISTING EF-3	400	-	-	-	-	RESTROOMS	-	-	7
NEW EF-4	701	.75	1,937	5,071	1/4	NEW HOOD#2	100V3B	LOREN COOK	12,3,4,5,6

- NOTES
- GREASE EXHAUST FAN RPM BASED ON 80 DEGREE F AIR AT 1000 FEET ABOVE SEA LEVEL.
 - GREASE EXHAUST FANS TO BE UL 762 LISTED.
 - CHICK-FIL-A HAS A NATIONAL ACCOUNT WITH TOM BARRROW COMPANY FOR THE FANCLUB PACKAGE. THE MECHANICAL CONTRACTOR IS REQUIRED TO PURCHASE THE FANCLUB PACKAGE DIRECTLY FROM TOM BARRROW COMPANY. CONTACT MR. SCOTT GEORGE AT 404-351-0101 FOR PRICING AND AVAILABILITY. FANS AND CURBS NOT PURCHASED THRU TOM BARRROW COMPANY WILL NOT BE ACCEPTED.
- REMARKS
1. PROVIDE FACTORY 1'-0" BASE CURB AND EXTENSION.
 2. PROVIDE FACTORY INSTALLED, PRE-WIRED, NEMA 3 NON-FUSED DISCONNECT.
 3. PROVIDE FACTORY INSTALLED HINGED BASE KIT.
 4. PROVIDE AND INSTALL ROOFTOP SOLUTIONS G2 DRIP GUARD. MECHANICAL CONTRACTOR TO CONTACT ROOFTOP SOLUTIONS AT 800-913-7034.
 5. PROVIDE FACTORY INSTALLED HELICAL SPRING AUTOMATIC BELT TENSIONER.
 6. INTEGRAL THERMAL OVERLOAD WITH AUTOMATIC RESET.
 7. EXISTING EXHAUST FAN TO REMAIN.

AIR DEVICE SCHEDULE

MARK	DESCRIPTION	LOCATION	NECK SIZE	FACE SIZE	FRAME TYPE	REMARKS
A	PRICE MODEL APDC ALUMINUM SUPPLY AIR DIFFUSER WITH INDIVIDUALLY ADJUSTABLE CURVED AIR PATTERN CONTROLLERS.	DINING AREA KITCHEN	SEE PLAN	24X24	LAY-IN	1,8
C	PRICE MODEL SMCD STEEL SUPPLY AIR DIFFUSER FIELD ADJUSTABLE AIR PATTERN CONTROLLERS.	ENTRYS	14X14	20X20	BEVELLED	1,3,5,7
D	PRICE MODEL 22 DOUBLE DEFLECTION ALUMINUM SIDEWALL SUPPLY GRILLE FRONT BLADE PARALLEL TO SHORT SIDE.	PLAYAREA	SEE PLAN	10X8	SURFACE	1
F	PRICE MODEL 22 DOUBLE DEFLECTION ALUMINUM SIDEWALL RETURN GRILLE FRONT BLADE PARALLEL TO LONG SIDE.	PLAYAREA	SEE PLAN	24X24	SURFACE	1,8
G	PRICE MODEL 22 DOUBLE DEFLECTION ALUMINUM SIDEWALL SUPPLY GRILLE FRONT BLADE PARALLEL TO LONG SIDE.	PLAYAREA	SEE PLAN	14X12	NA	1
H	PRICE MODEL APDC ALUMINUM SUPPLY AIR DIFFUSER WITH INDIVIDUALLY ADJUSTABLE CURVED AIR PATTERN CONTROLLERS.	OFFICE	12	24X24	LAY-IN	1,6,8
J	PRICE MODEL SMCD STEEL SUPPLY AIR DIFFUSER FIELD ADJUSTABLE AIR PATTERN CONTROLLERS.	RESTROOMS	10X10	16X16	BEVELLED	1,2,3,5,7
K	PRICE MODEL APDCR ALUMINUM PERFORATED FACE RETURN AIR GRILLE.	RESTROOMS ENTRYS	14X14	17X17	SURFACE	1,4,5,7
L	PRICE MODEL 21 SINGLE DEFLECTION ZERO DEGREE DEFLECTION ALUMINUM SIDEWALL RETURN GRILLE FRONT BLADE PARALLEL TO LONG SIDE.	PLAYAREA	12X12	14X14	SURFACE	1

- NOTES
- MECHANICAL CONTRACTOR SHALL PURCHASE THE AIR DEVICES DIRECTLY FROM TOM BARRROW COMPANY. CONTACT MR. SCOTT GEORGE AT 404-351-0101, FOR PRICING AND AVAILABILITY. AIR DEVICES NOT PURCHASED THRU TOM BARRROW COMPANY WILL NOT BE ACCEPTED.
- REMARKS
1. STANDARD OFF WHITE FINISH.
 2. PROVIDE MODEL VCS3 NECK DAMPER.
 3. SEE DRAWING M11 FOR THROW.
 4. PROVIDE MODEL VCR7 NECK DAMPER ON GRILLES IN RESTROOMS.
 5. PROVIDE BACKPAN MC TO SEAL JOINTS WITH MASTIC AND INSULATE EXTERNALLY.
 6. PROVIDE VCR7 NECK DAMPER, ADJUSTABLE THRU DIFFUSER FACE.
 7. FIELD INSULATE BACKPAN AS SHOWN ON DETAIL 2/M4-1.
 8. FACTORY INSULATED R-6 BACKPAN.

OUTDOOR AIR CALCULATION

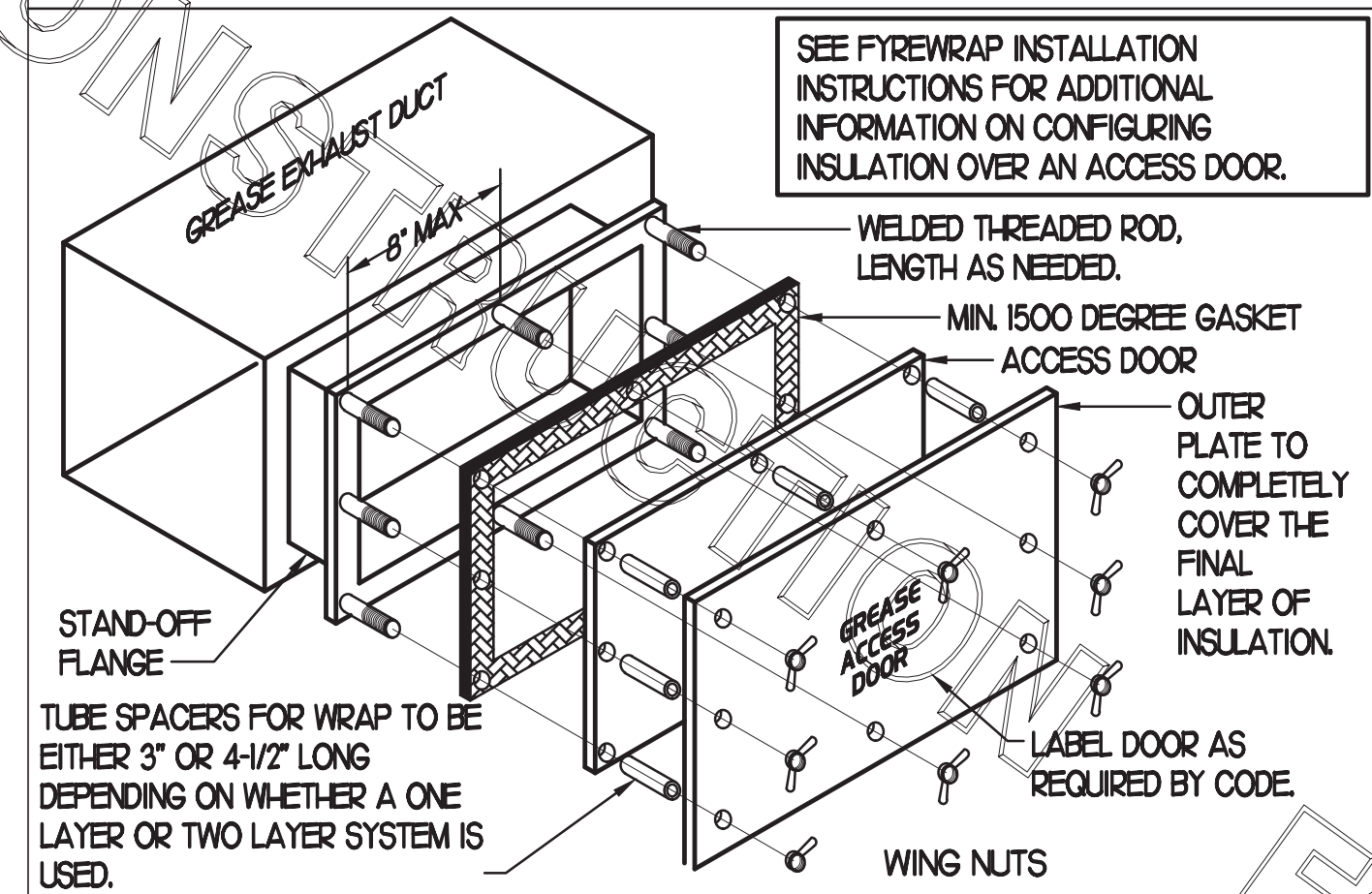
ROOM NUMBER & NAME	AREA SQ. FT.	NO. OF PEOPLE	REQD OA CFM/PERSON	REQD OA CFM/SQ FT	TOTAL OSA	REQD EXHAUST AIR PER FIXTURE	REQD OSA AC-1	REQD OSA AC-2	REQD OSA AC-3	REQD OSA AC-4	REQD OSA AC-5
KITCHEN	1186	8	7.50	0.18	273.5		273.5				
RR VESTIBULE	61	0	5.00	0.06	3.7			3.7			
MENS RR	88	0	0.00	0.00	0.0	50/70					
WOMENS RR	95	0	0.00	0.00	0.0	50/70					
DINING A	118	6	7.50	0.18	66.2					66.2	
MULTIPURPOSE ROOM	90	0	5.00	0.06	5.4					5.40	
DRIVE THRU	255	2	7.50	0.18	60.9					60.9	
SERVING AREA	243	4	7.50	0.18	73.7					73.7	
WAITING AREA	210	0	5.00	0.06	12.6					15.1	
DINING B	883	74	7.50	0.18	713.9					713.9	
ENTRY 'A'	53	0	5.00	0.06	3.2					4.20	
PLAYGROUND	290	12	7.50	0.18	142.2						140.90
OFFICE	55	1	5.00	0.06	8.3						8.3
MULTI-PURPOSE	173	0	5.00	0.06	10.4						10.40
TOTALS			REQUIRED OUTSIDE AIR		1001/140		273.50	75.30	867.80	140.90	18.70
			PROVIDE OUTSIDE AIR		-		1850	350	1275	350	250

OUTSIDE AIR BASED ON THE 2018 INTERNATIONAL MECHANICAL CODE.

GREASE ACCESS DOOR SCHEDULE

MARK	OPENING SIZE	DOOR SIZE	REMARKS
A	6.5H X 12W	8.5H X 14W	1
B	10.5H X 14W	12.5H X 16W	1
C	5.5H X 14W	7.5H X 16W	1

1. ACCESS DOORS SHALL BE UL 1978 LISTED OR FIELD FABRICATED, REQUIRE NO TOOLS FOR REMOVAL AND MEET THE REQUIREMENTS OF THE CURRENT EDITION OF THE IMC. ACCESS DOOR ASSEMBLY SHALL BE WELDED IN PLACE TO THE GREASE EXHAUST DUCT AND THE ACCESS DOOR SHALL BE SECURED WITH THUMB SCREWS. ACCESS DOORS SHALL BE SEALED WITH A MINIMUM 1500 DEGREE GASKET MATERIAL EQUIVALENT TO THAT MANUFACTURED BY BRETON INDUSTRIES, INC (800) 382-2491.



AIR DOOR SCHEDULE

MARK	CFM	VELOCITY	HEATING CAP	HP	AREA SERVED	MODEL	MANUFACTURER	REMARKS
AD#1	1765	2670 FPM	10 KW	3/4	DRIVE THRU	CHA-148E	POWERED-AIRE	1,2,3,5

NOTES

- CHICK-FIL-A HAS A NATIONAL ACCOUNT WITH TOM BARRROW COMPANY FOR THE AIR DOORS. THE MECHANICAL CONTRACTOR SHALL PURCHASE THE AIR DOORS DIRECTLY FROM TOM BARRROW COMPANY. CONTACT MR. SCOTT GEORGE AT 404-351-0101, FOR PRICING AND AVAILABILITY. AIR DOORS NOT PURCHASED THRU TOM BARRROW COMPANY WILL NOT BE ACCEPTED.

REMARKS

1. FACTORY PROVIDED, WIRED, AND UNIT MOUNTED SPEED CONTROLLER LOCATED ABOVE CEILING.
2. FACTORY WIRED DISCONNECT.
3. FACTORY PROVIDED, FIELD INSTALLED BY MC. REMOTE W ALL SWITCHES FOR EHATING ON/OFF AND FAN ON/OFF SWITCH. SEE DETAIL, AIR CURTAIN WIRING DIAGRAM.
4. FACTORY PROVIDED MAGNETIC DOOR CONTACT WITH FACTORY INSTALLED LOW VOLTAGE CONTROLS LOCATED IN AIR DOOR CABINET.
5. PROVIDE WITH A DIVERTER BOX.

FLEX DUCT SIZE

0	-	80 CFM	-	6" DIA.
81	-	170 CFM	-	8" DIA.
171	-	300 CFM	-	10" DIA.
301	-	510 CFM	-	12" DIA.
511	-	750 CFM	-	14" DIA.
751	-	1100 CFM	-	16" DIA.
1101	-	1450 CFM	-	18" DIA.
1451	-	1900 CFM	-	20" DIA.

BASED ON WIRE HELIX FLEXIBLE DUCT-TYPE FLEX-MASTER
UL LISTING: UH81 / ETL CLASS I AIR DUCT STANDARD CODE
NFPA 90A AND 90B, BOCA, SEBC, HLD/FHA, MIN PROPERTY STD.
FLAME SPREAD... LESS THAN 25
SMOKE DEVELOPE... LESS THAN 50
MIN R&O FOR ATTIC/UNCONDITION SPACE
MIN R&O FOR RETURN CONDITIONED SPACE
MANUFACTURER IS TO BE USED AS A BASIS FOR DESIGN. EQUAL IS APPROVED.

KITCHEN PRESSURIZATION

RETURN AIR FROM SIDE DINING BACK TO KITCHEN	+500
NEW AC-1 OA (25 TON)-21% OA	+1850
NEW AC-5 OA (3 TON)-23% OA	+250
NEW EF-1 KITCHEN HOOD #1L	-832
NEW EF-1 KITCHEN HOOD #1R	-1080
NEW EF-2 KITCHEN HOOD #3	-390
NEW EF-4 KITCHEN HOOD #2	-701
TOTAL	-403

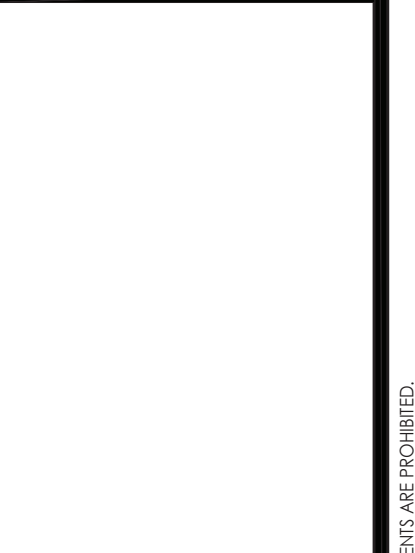
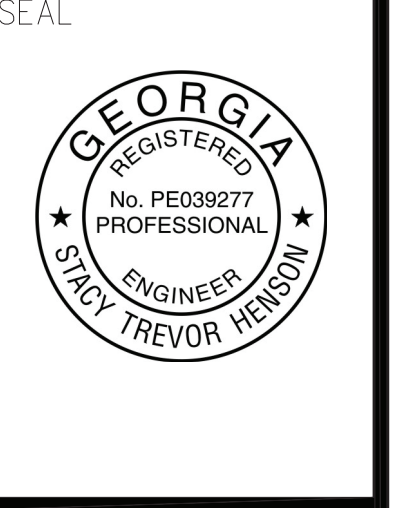
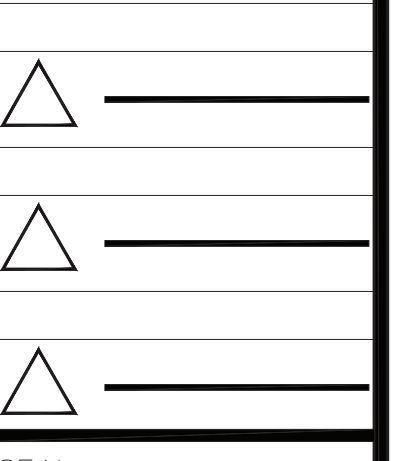
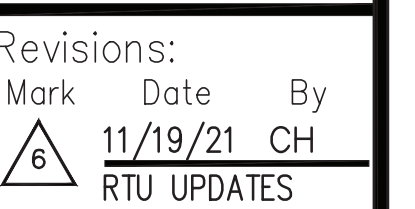
DINING PRESSURIZATION

EXISTING AC-2 OA (5 TON)-19% OA	+350
NEW AC-3 OA (7.5 TON)-24.0% OA	+1275
NEW AC-4 OA (5 TON)-19.0% OA	+350
EXISTING EF-3 RESTROOM EXHAUST	-400
RETURN AIR FROM SIDE DINING BACK TO KITCHEN	-500
BUILDING POSITIVE PRESSURE TOTAL	+1075
BUILDING POSITIVE PRESSURE	+672



5200 Buffington Rd.
Atlanta Georgia,
30349-2998

Revisions:
Mark Date By
11/19/21 CH
RTU UPDATES



INTERPLAN
INTERPLAN LLC
AR0011595
CA 8640
ARCHITECTURE
ENGINEERING
PERMITTING
220 E. CENTRAL PKWY, STE 4000
ALPHARETTA SPRINGS, GA 30201
407.645.5008

STORE
STONEBRIDGE
VILLAGE FSU
S06N-98R

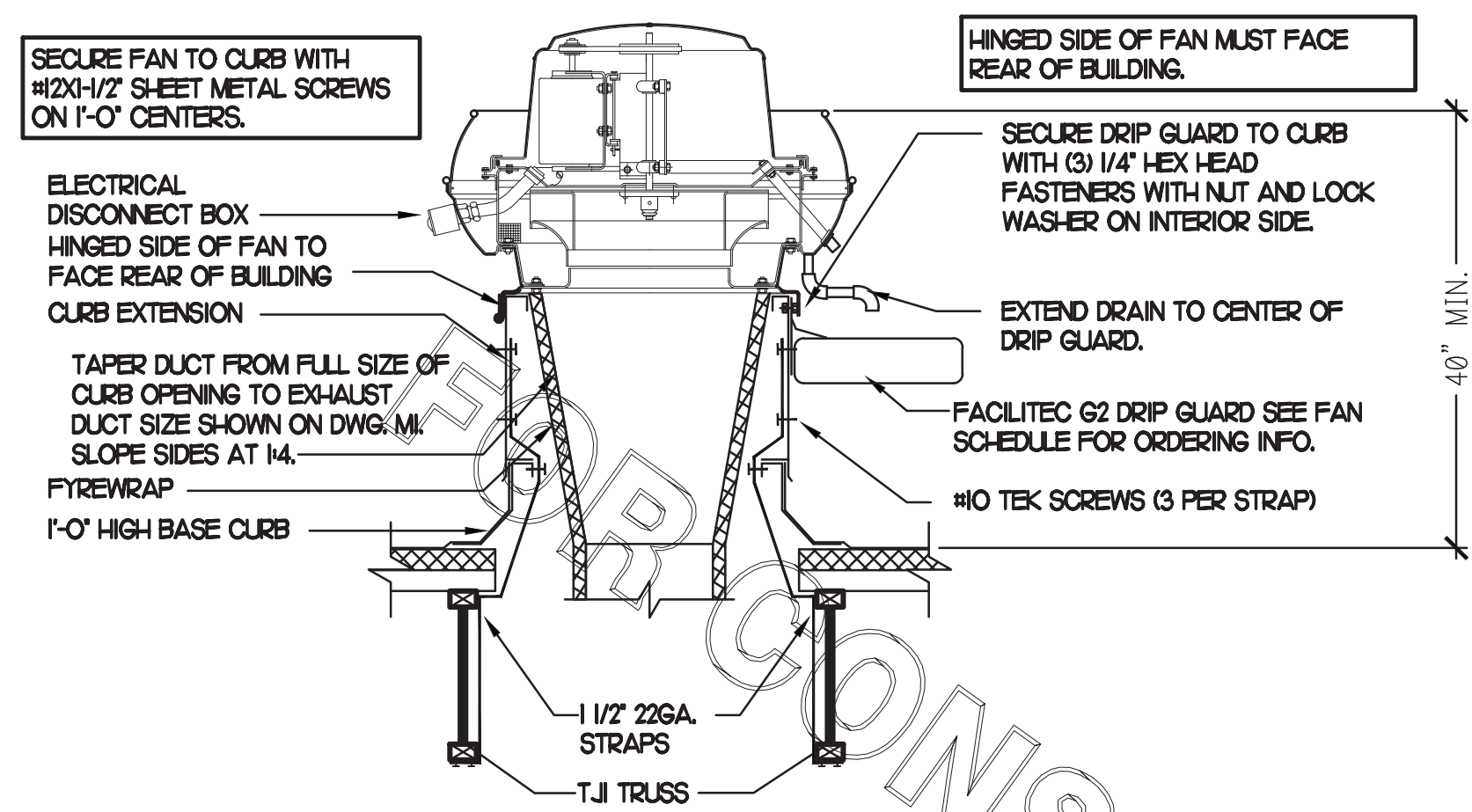
5905 SPROUT
SPRINGS RD. FLOWERY
BRANCH, GA 30542

SHEET TITLE
MECHANICAL
SCHEDULES

VERSION:
ISSUE DATE:

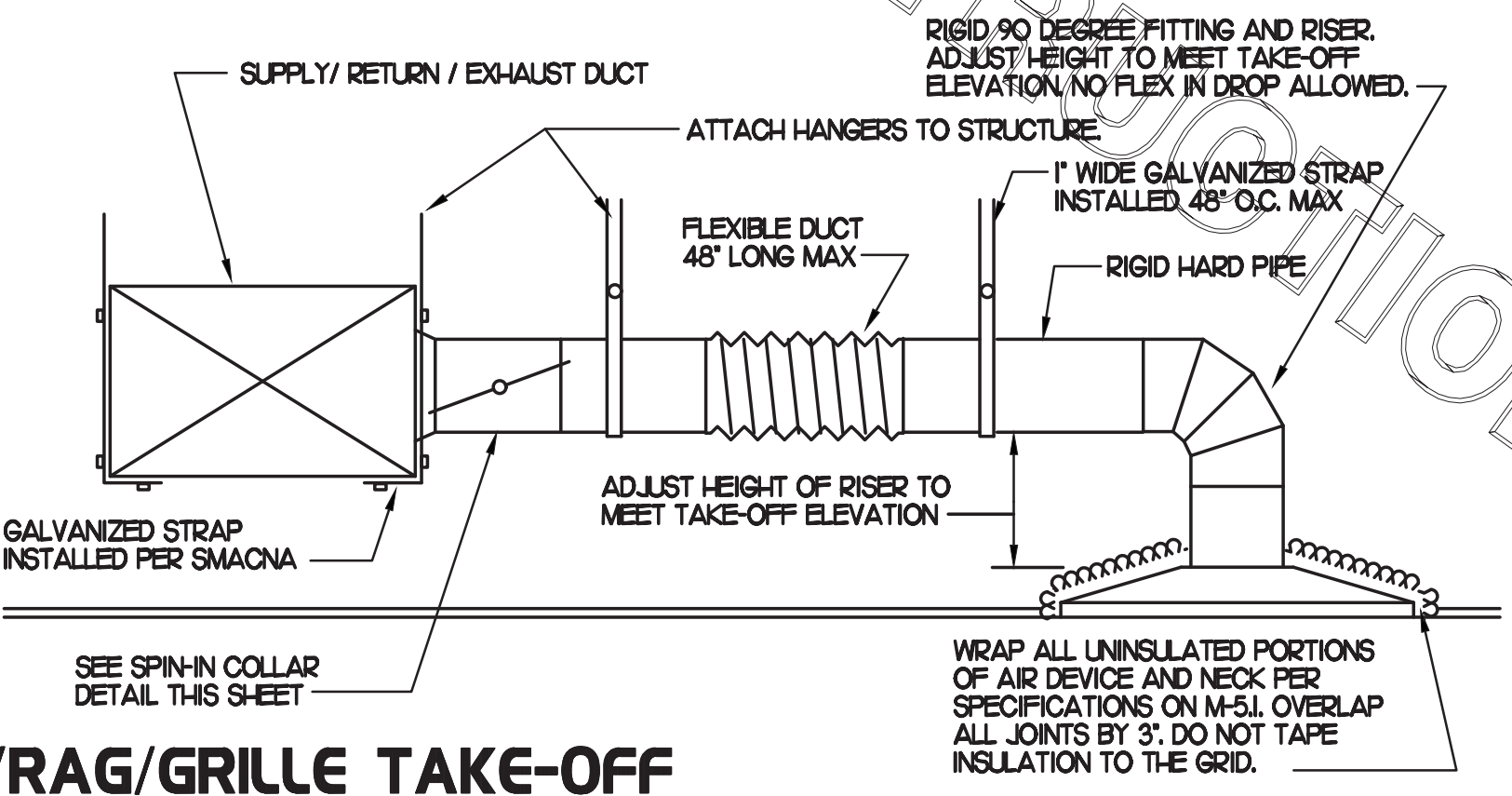
Job No. : 18.0772
Store : 02110
Date : 09/2021
Drawn By : CH
Checked By : DAK

Sheet
M3.I



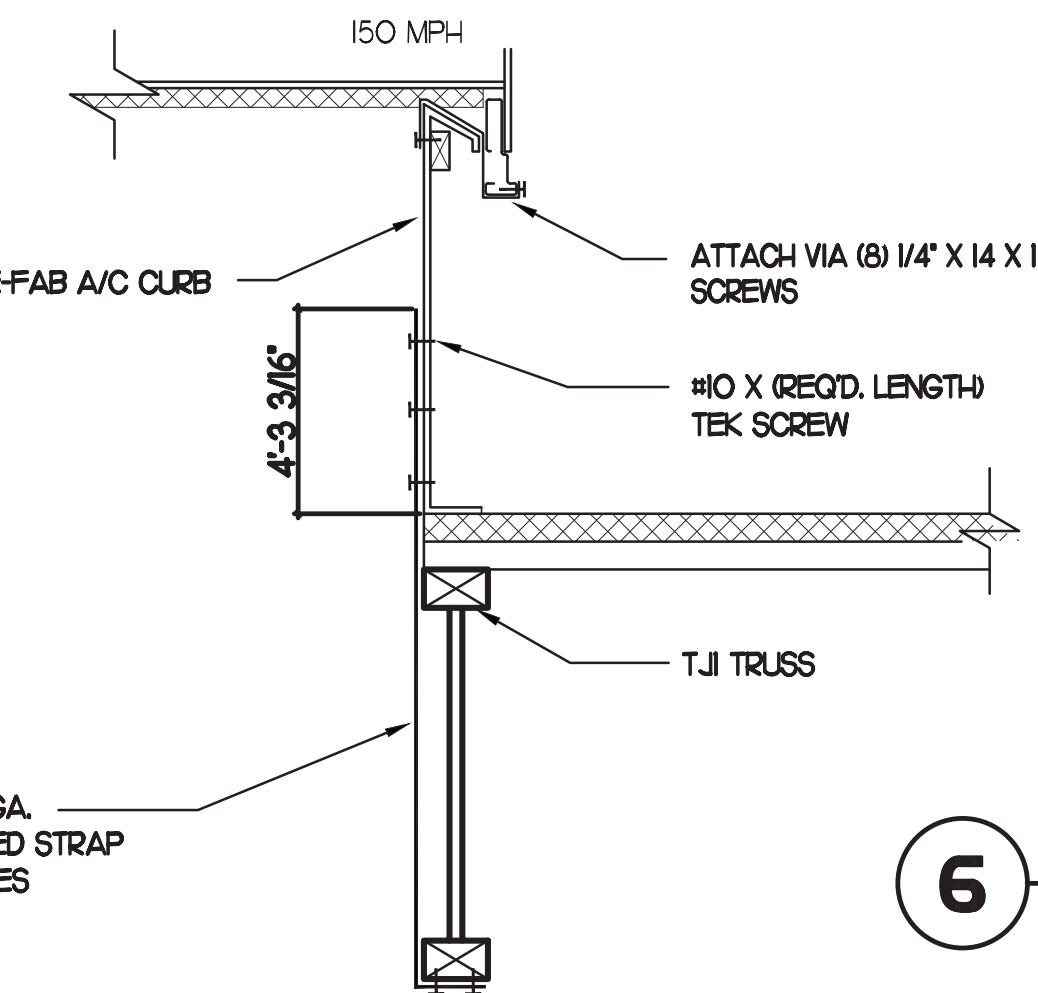
1 KITCHEN HOOD EXHAUST FAN

NO SCALE



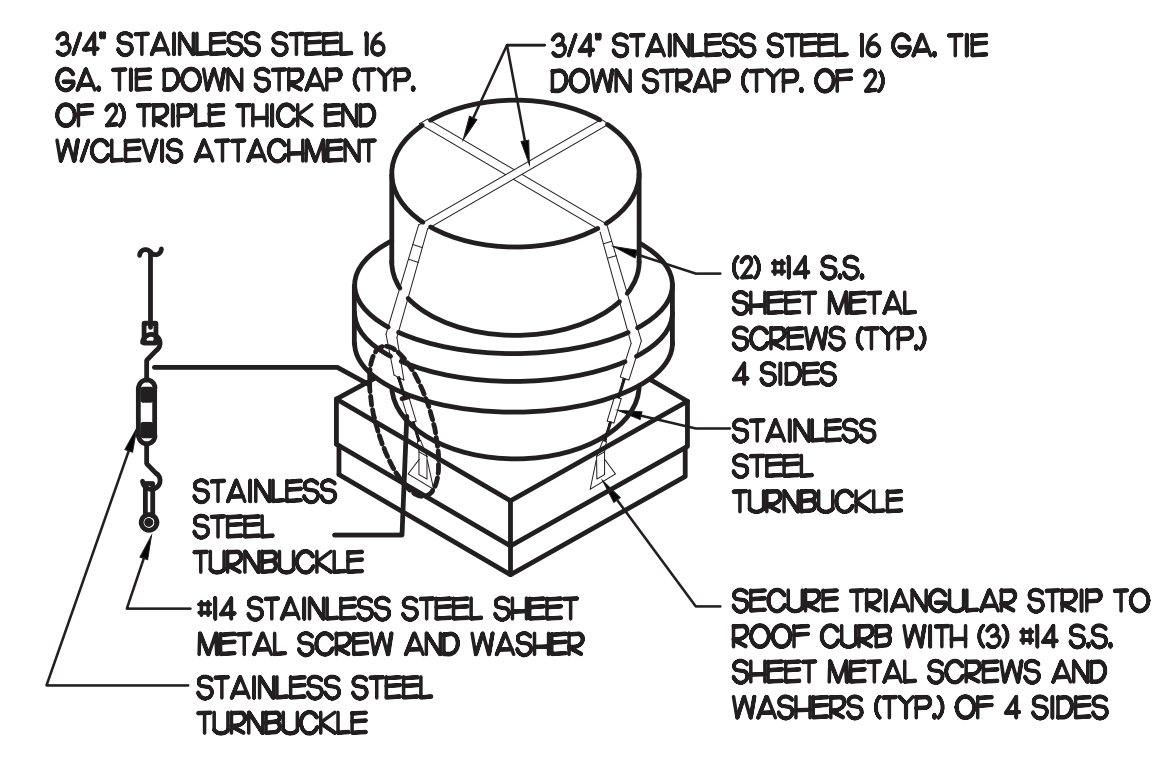
2 SAG/RAG/GRILLE TAKE-OFF

NO SCALE



3 RTU TIE-DOWNS DETAIL

NO SCALE



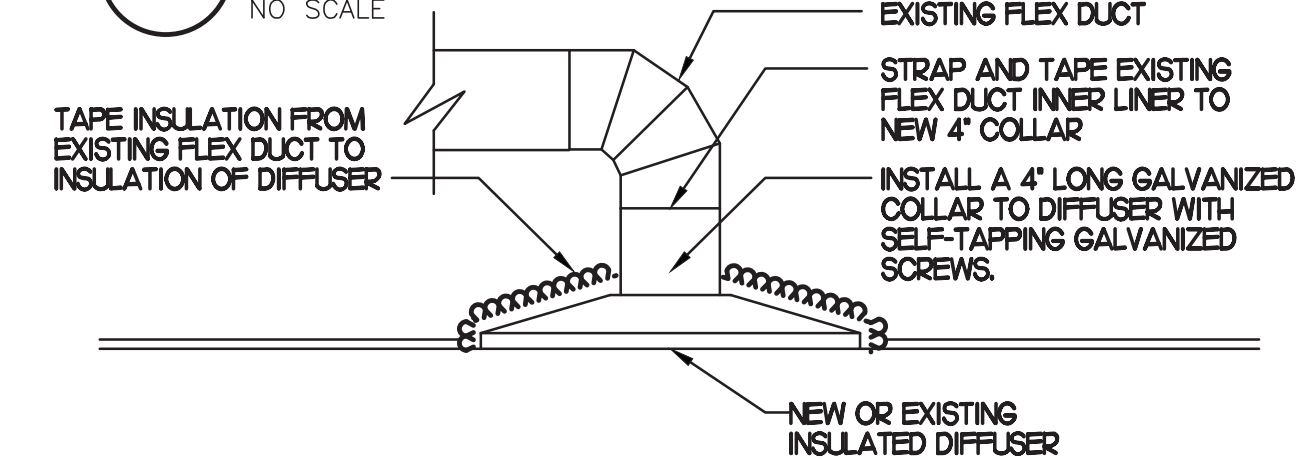
4 FAN SECURING DETAIL

NO SCALE

NOTE: SIMILAR FOR KITCHEN HOOD EXHAUST AND SUPPLY FANS.

5 GREASE EXHAUST DUCT PROTECTION TO COMBUSTIBLES DETAIL

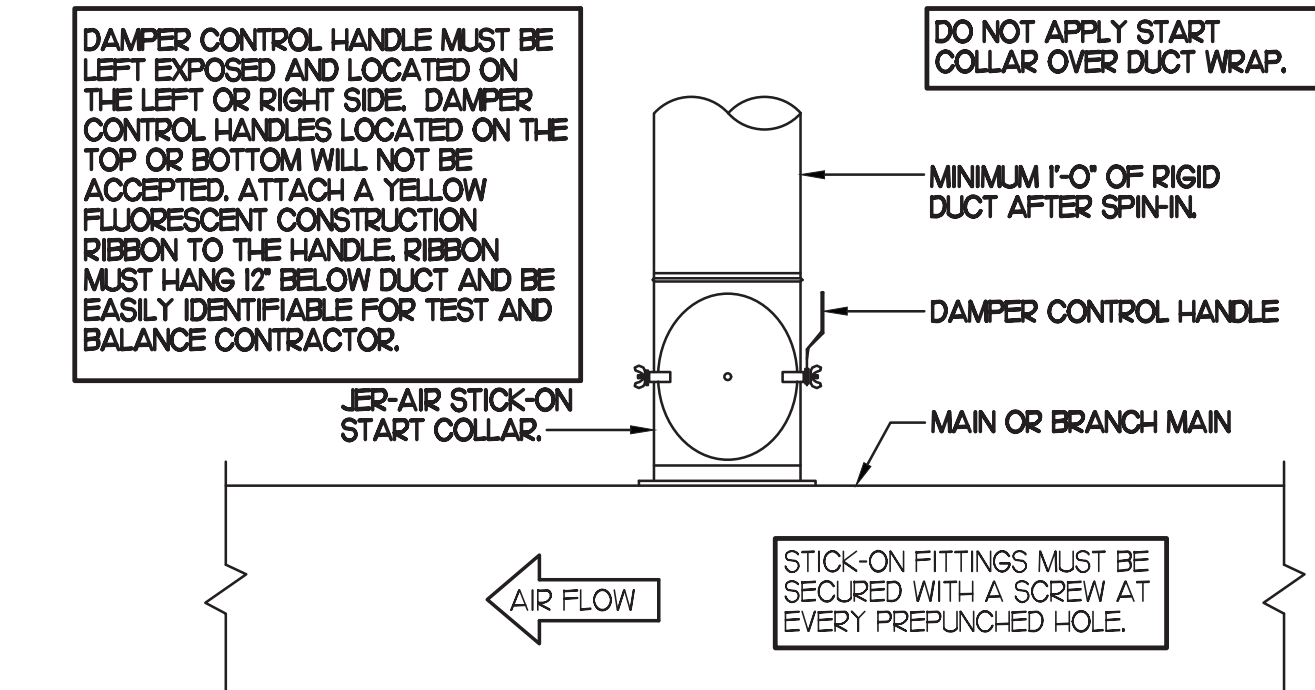
NO SCALE



6 DIFFUSER & GRILLE WHEN CEILING IS REPLACED

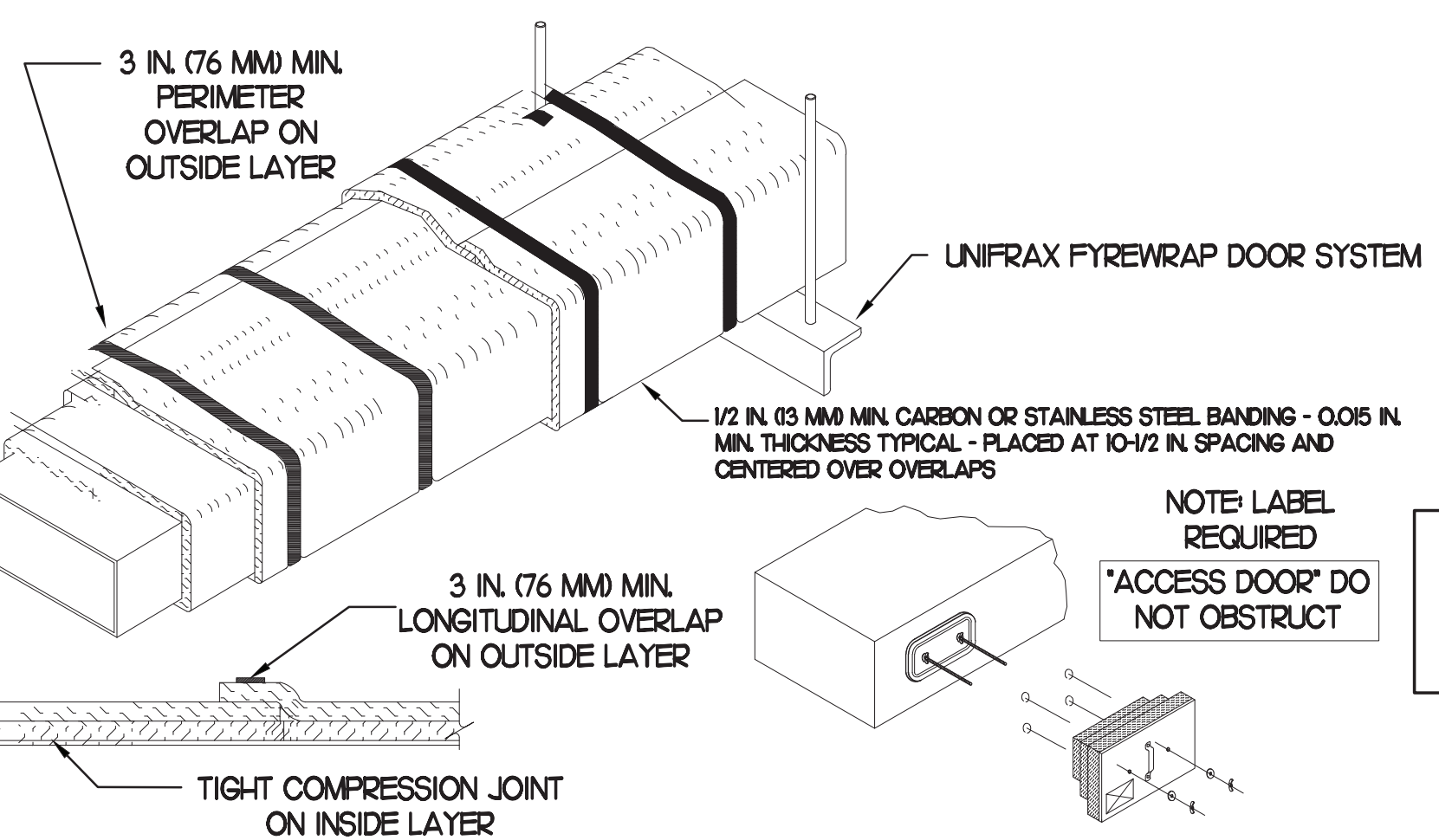
NO SCALE

CHICK-FIL-A HAS A NATIONAL ACCOUNT WITH TOM BARRROW COMPANY FOR THE JER-AIR START COLLARS FOR BOTH WITH AND WITHOUT A MANUAL BALANCING DAMPER. THE MECHANICAL CONTRACTOR IS REQUIRED TO PURCHASE THE JER-AIR START COLLARS DIRECTLY FROM TOM BARRROW COMPANY. CONTACT MR. SCOTT GEORGE AT 404-351-1010 FOR PRICING AND AVAILABILITY. JER-AIR START COLLARS NOT PURCHASED THRU TOM BARRROW COMPANY WILL NOT BE ACCEPTED.



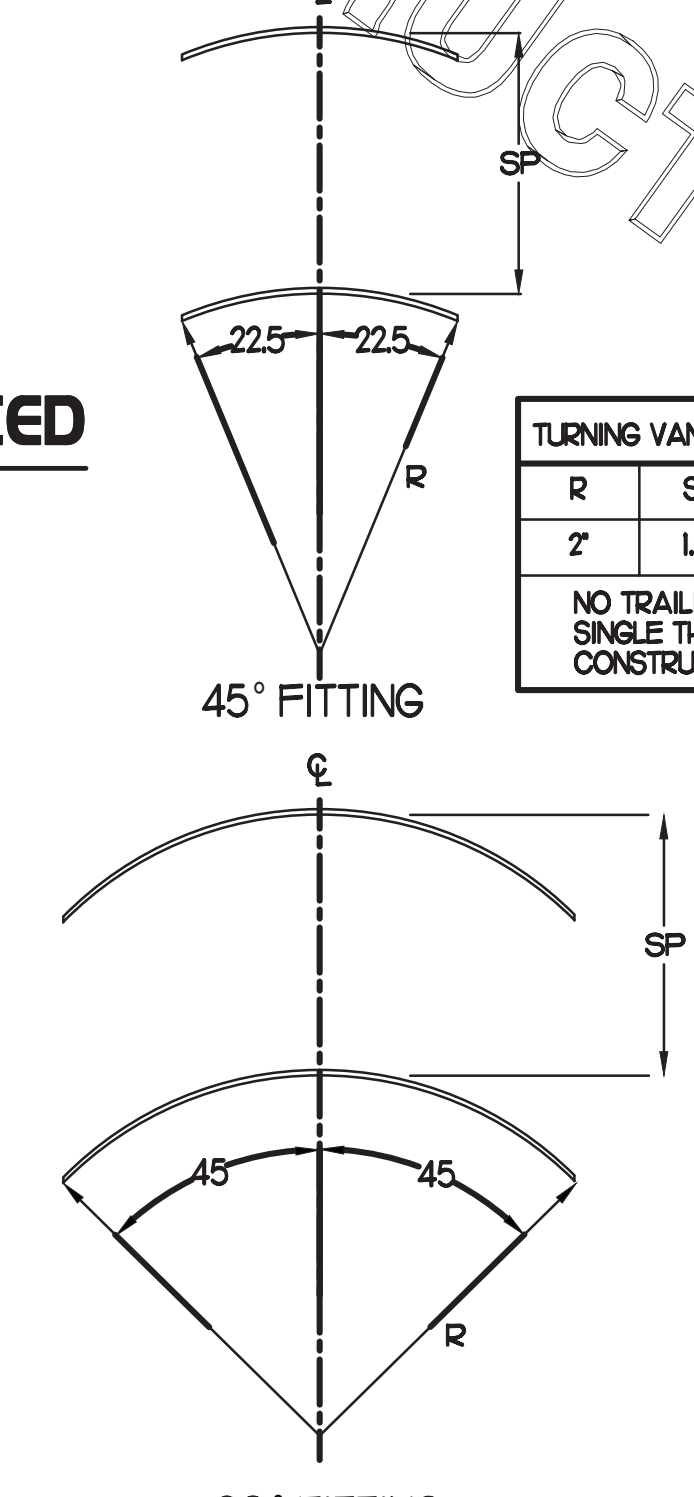
7 START COLLAR

NO SCALE



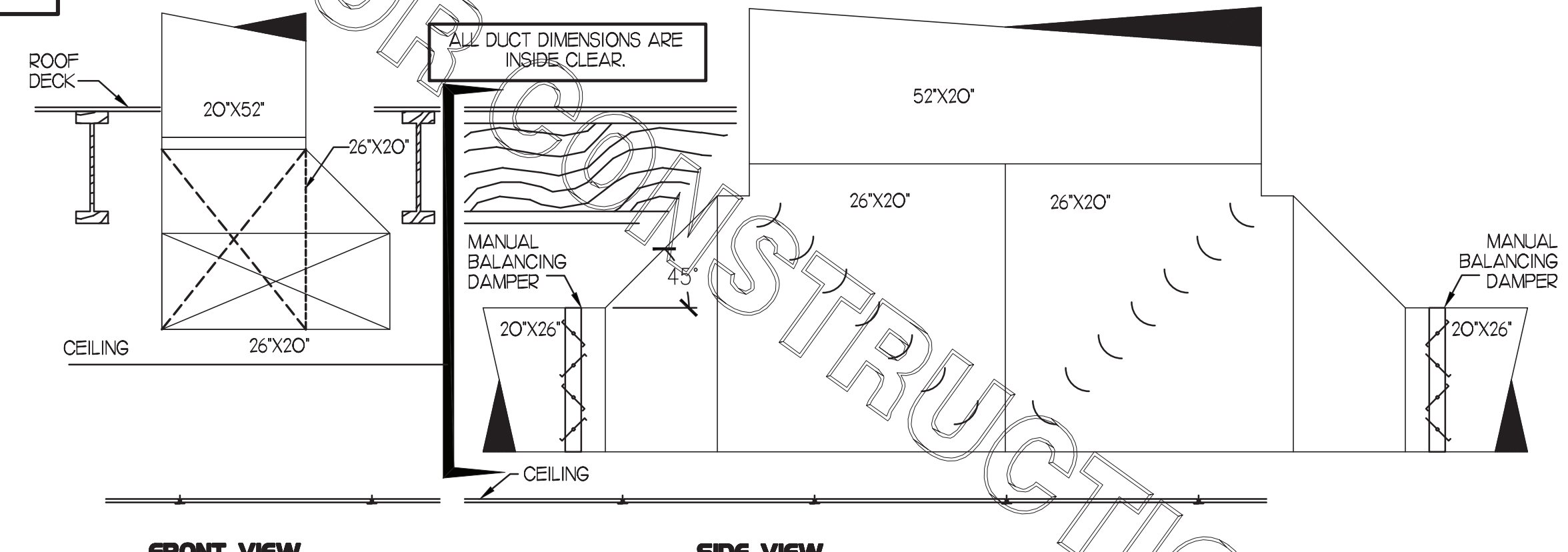
FYREWRAPE ELITE DUCT INSULATION COMMERCIAL KITCHEN GREASE DUCT SYSTEM ASTM E 2336/ACCES ACOI SYSTEM 1- & 2-HOUR FIRE-RATED ENCLOSURE, SHAFT ALTERNATIVE ZERO CLEARANCE TO COMBUSTIBLES BUTT JOINT SYSTEM (BOTH LAYERS, MAX 24"X24" DUCT)

- UNIFRAX FYREWRAPE ELITE I.5 DUCT INSULATION HAS BEEN TESTED IN ACCORDANCE WITH ASTM E 2336 TO PROVIDE ZERO CLEARANCE TO COMBUSTIBLES AND MEETS THE REQUIREMENTS FOR ONE OR TWO HOUR ENCLOSURES. THROUGH PENETRATIONS FIRESTOP SYSTEMS ARE TESTED IN ACCORDANCE WITH EITHER ASTM E 814 OR UL 1479. ICC-ES APPROVAL PER REPORT ESR 2213 OR ESR 2832. UNDERWRITER'S LABORATORIES (UL) LISTINGS SHOW COMPLIANCE TO UL 1479 FOR THROUGH PENETRATION FIRESTOP SYSTEMS.
- COMPLIANT TO THE FOLLOWING CODES:
 - BUILDING CODE: 2018 INTERNATIONAL BUILDING CODE
 - ELECTRICAL CODE: 2020 NATIONAL ELECTRICAL CODE
 - PLUMBING CODE: 2018 INTERNATIONAL PLUMBING CODE
 - ENERGY CODE: 2018 INTERNATIONAL ENERGY CONSERVATION CODE
 - MECHANICAL CODE: 2018 INTERNATIONAL MECHANICAL CODE
 - FIRE CODE: 2018 INTERNATIONAL FIRE CODE
 - FUEL GAS CODE: 2018 INTERNATIONAL FUEL GAS CODE
 - ACCESSIBILITY CODE: 2018 GA ACCESSIBILITY CODE
- INSULATION APPLIED IN TWO LAYERS WITH TIGHT COMPRESSION JOINT ON INSIDE LAYER AND 3 INCH MINIMUM OVERLAPS ON BOTH PERIMETER AND LONGITUDINAL OVERLAPS ON OUTSIDE LAYER.
- GREASE EXHAUST DUCT RUNS FROM THE HOOD EXHAUST CONNECTION UP TO THE EXHAUST FAN ON THE ROOF WITH MINIMAL TURNS OR BENDS AND MAINTAINING MINIMUM 1/4 UNIT VERTICAL RISE PER 12 UNITS HORIZONTAL RUN. NFPA 96 COMPLIANT ACCESS DOORS LOCATED AS REQUIRED BY CODE.
- UNIFRAX FYREWRAPE ELITE I.5 ACCESS DOORS AS SPECIFIED IN ICC-ES BUILDING CODE REPORTS ESR 2213 OR ESR 2832.
- ROOF MOUNTED EXHAUST FAN IS MOUNTED ON A HINGED BASE WHICH ALLOWS ACCESS TO THE DUCT FROM THE ROOF.
- SUPPORT HANGER SYSTEMS DO NOT NEED TO BE WRAPPED PROVIDED THE HANGER RODS ARE AT LEAST A MINIMUM OF 3/8 IN. DIAMETER. USE MINIMUM 2 X 2 X 1/8 IN. STEEL ANGLE OR SMACNA EQUIVALENT SUPPORT SYSTEM.
- UNIFRAX FYREWRAPE ELITE I.5 DUCT ENCLOSURE SYSTEM SHALL BE INSTALLED IN ACCORDANCE WITH MANUFACTURERS INSTRUCTIONS.
- UNIFRAX FYREWRAPE ELITE I.5 DUCT WRAP SHALL BE INSTALLED ON THE DUCT FROM THE HOOD CONNECTION TO THE CONNECTION TO THE FAN.



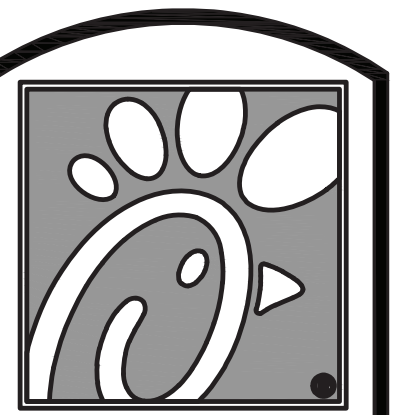
8 TURNING VANES

NO SCALE



9 TEE CONSTRUCTION

NO SCALE



Chick-fil-A

5200 Buffington Rd.
Atlanta Georgia,
30349-2998

Revisions:

Mark	Date	By
△		
△		
△		
△		



INTERPLAN
ARCHITECTURE
ENGINEERING
PERMITTING

220 E. CENTRAL PKWY. STE 4000
ALPHARETTA SPRINGS, GA 30201
407.645.5008

STORE
STONEBRIDGE
VILLAGE FSU
S06N-98R

5905 SPROUT
SPRINGS RD. FLOWERY
BRANCH, GA 30542

SHEET TITLE
MECHANICAL
DETAILS

VERSION:
ISSUE DATE:

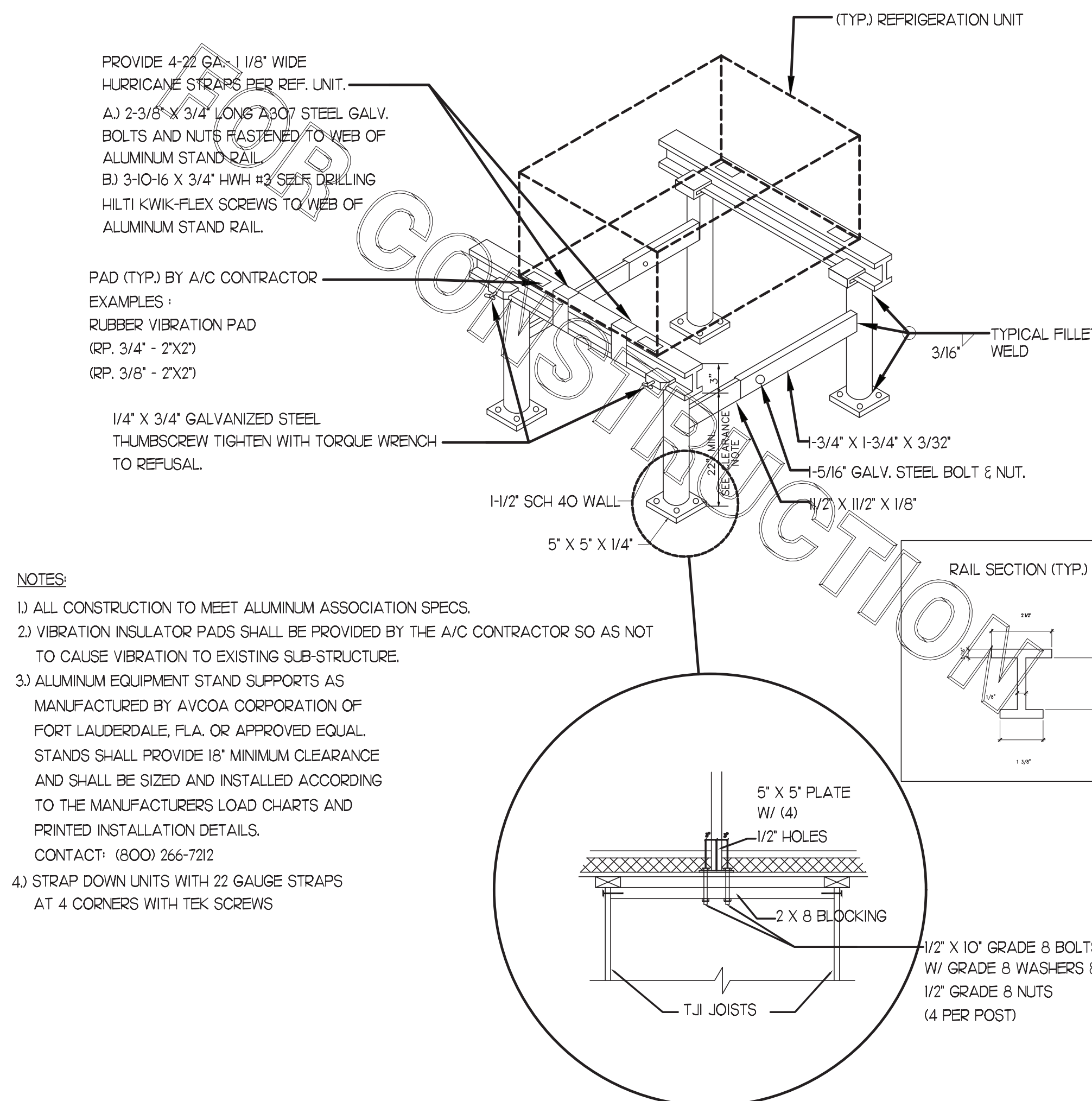
Job No. : 18.0772
Store : 02110
Date : 09/2021
Drawn By : CH
Checked By : DAK

Sheet

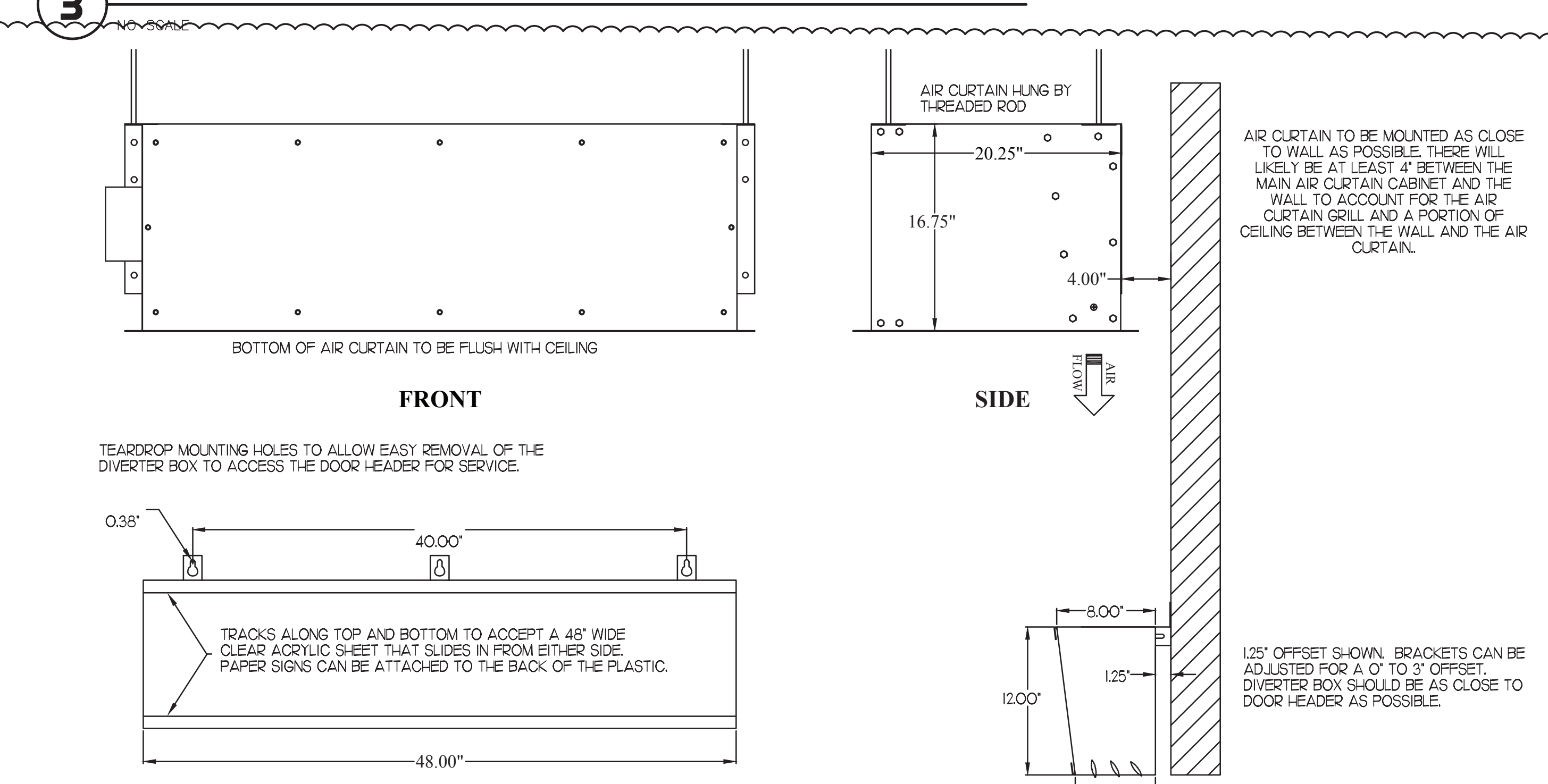
M4.I

CLEARANCE NOTE

CONTRACTOR TO VERIFY THICKNESS OF ROOF ASSEMBLY. 18" CLEARANCE REQUIRED FROM BOTTOM OF SUPPORT RACK STRUCTURAL MEMBER TO TOP OF ROOF ASSEMBLY. IF ANY PIECE OF EQUIPMENT MOUNTED ON RACK EXCEEDS 36" IN THE LATERALLY MOUNTED DIMENSION, THE CLEARANCE NEEDS TO BE INCREASED TO 24".



3 REFRIGERATION SYSTEM FRAMING SUPPORT DETAIL



4 AIR CURTAIN AND AIR DIVERTER BOX MOUNTING

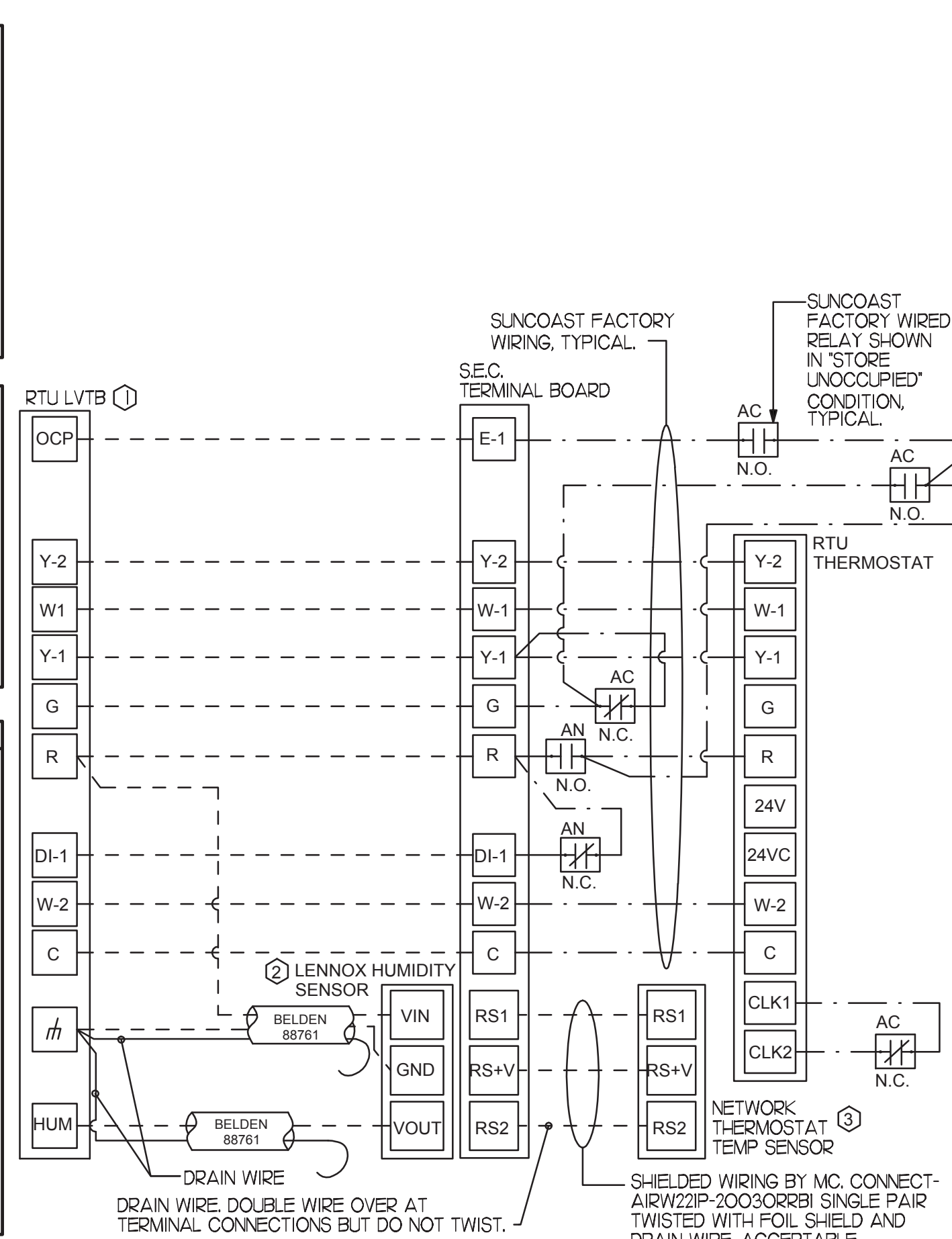


- NOTES:**
- MECHANICAL CONTRACTOR SHALL MAKE PLASTIC LAMINATE OF THIS DETAIL AND INSTALL PERMANENTLY ON INSIDE DOOR OF ROOFTOP UNIT CONTROL COMPARTMENT.
 - SEE DETAILS THIS SHEET FOR SMOKE DETECTOR AND ANNUNCIATOR WIRING.
 - SET ALL THERMOSTATS FOR AUTO CHANGEOVER.
 - PROVIDE PLASTIC ENGRAVED LABEL AT ALL NEW SENSORS WITH 1/4" HIGH WHITE LETTERING ON BLACK BACKGROUND. IE "ACH1 HUMIDITY SENSOR" OR "ACH2 TEMP SENSOR". PLACE LABELS ON WALL ADJACENT TO DEVICE, DO NOT APPLY DIRECTLY TO DEVICE.

- KEYED NOTES:**
- LOW VOLTAGE WIRING TO RTU TO BE ROUTED TO UNIT THRU FACTORY WIREWAY.
 - HUMIDITROL UNITS ONLY: WIRING TO HUMIDITY SENSOR TO BE MADE WITH TWO SEPARATE RUNS OF SHIELDED TWISTED PAIR. TERMINATE SHIELD WIRES AT TB-1, LEAVE OPEN AT SENSOR.
 - NETWORK TSTAT REMOTE TEMP SENSOR PROVIDED BY SUNCOAST AND INSTALLED BY MC. SENSOR IS INTENDED TO BE SURFACE MOUNTED AND DOES NOT REQUIRE A SINGLE GANG BOX OR CONDUIT. FIELD CALIBRATE EACH SENSOR.

LEGEND

S.E.C.	SUNCOAST ENVIRONMENTAL CONTROLS (SUPPLIER OF TEMP/FAN CONTROL PANEL) LOCATED IN KITCHEN
1	KEY NOTE REFERENCE
MC	MECHANICAL CONTRACTOR
AC	SUNCOAST RELAY FACTORY INSTALLED AND WIRED IN CFA-500 PANEL. ENERGIZED BY PULLING STORE SWITCH IN 'STORE OCCUPIED' POSITION.
AN	SUNCOAST RELAY FACTORY INSTALLED AND WIRED IN CFA-500 PANEL. ENERGIZED WHEN ANSL FIRE SUPPRESSION SYSTEM IS ACTIVATED, AS NOTED.
	18 AWG MIN LOW VOLTAGE WIRING BY MC. UNDO. USE BELDEN OR SOUTHWIRE SINGLE PAIR TWISTED WITH FOIL SHIELD AND DRAIN WIRE FOR TEMPERATURE SENSORS (NOT HUMIDITY SENSORS).
	LOW VOLTAGE WIRING BY S.E.C.
	LINE VOLTAGE BY ELECTRICIAN OR S.E.C.

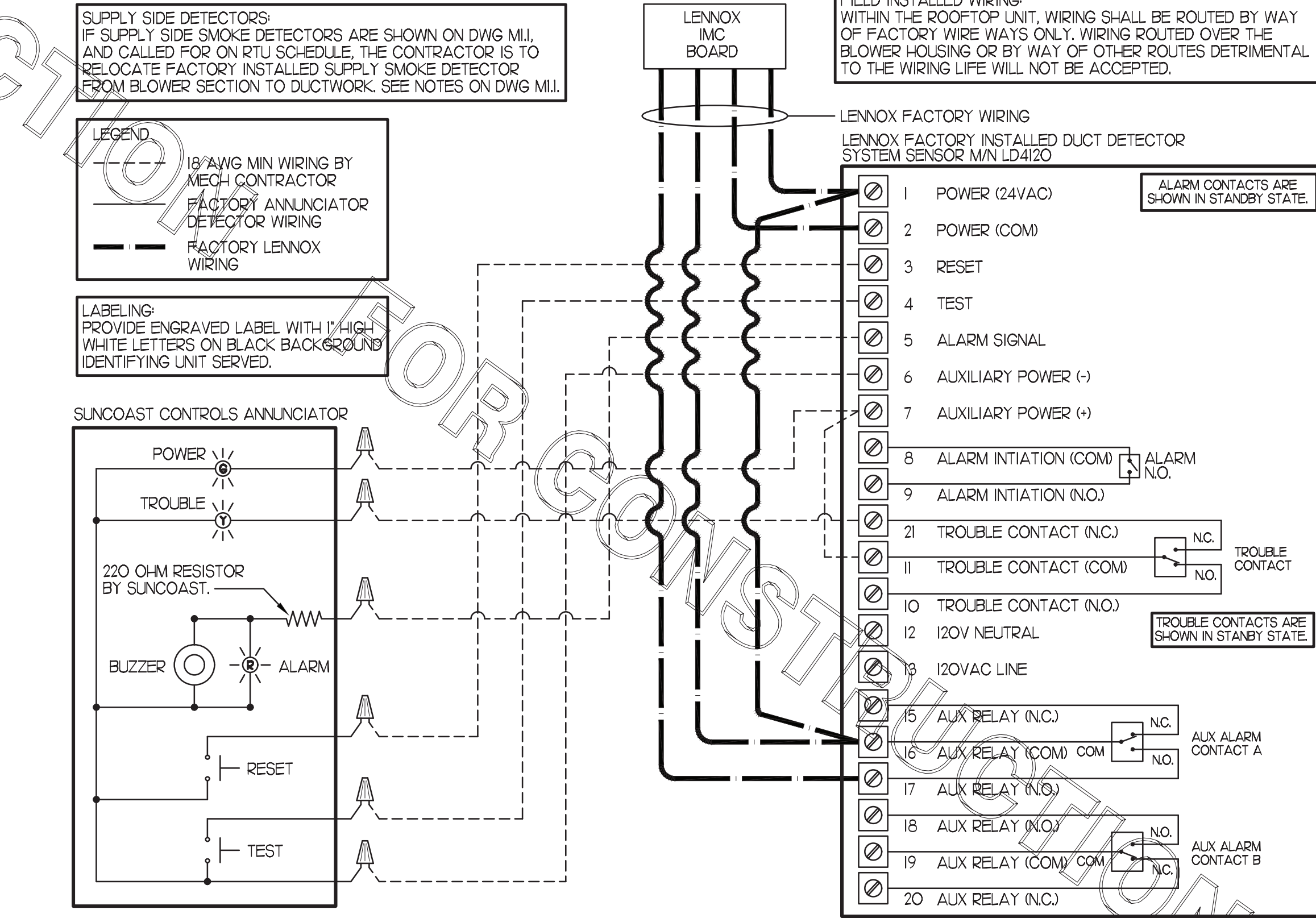


- LENNOX PRODIGY CONTROLLER SETTINGS:**
- FOR ALL RTUS EXCEPT AT ACH1, CHANGE PRODIGY-M3 BOARD CONTROL PARAMETER #65 TO ZERO (#58 ON LCH UNITS). THIS WILL CAUSE THE O.A. DAMPER TO OPEN ON 'OCCUPIED' START. AT ACH1 (LGH TYPE) LEAVE THE SETTING AT THE DEFAULT VALUE SO THE O.A. DAMPER WILL REMAIN CLOSED FOR THE FIRST 60 MINUTES AFTER 'OCCUPIED' START. AT ACH1 (LCH TYPE) CHANGE THE VALUE TO 5400 SO THE O.A. DAMPER WILL REMAIN CLOSED FOR THE FIRST 90 MINUTES AFTER 'OCCUPIED' START.
 - AT HUMIDITROL RTUS, SET PRODIGY-M3 BOARD CONTROL PARAMETER #105 FOR DEHUMIDIFICATION OPERATION TO A VALUE OF 7.
 - AT HUMIDITROL RTUS, SET PRODIGY-M3 BOARD CONTROL PARAMETER #106 FOR DEHUMIDIFICATION SET POINT TO A VALUE OF 60 (60° RH).
 - AT HUMIDITROL RTUS, SET PRODIGY-M3 BOARD CONTROL PARAMETER #107 FOR DEHUMIDIFICATION MODE DEAD BAND TO VALUE OF 2 (2% RH).
 - AT MSAV UNITS, SET THE MSAV LOW SPEED SETTING TO THE SAME VALUE AS THE HIGH SPEED SETTING AFTER TAB IS COMPLETE.

- LENNOX FRESH AIR HEATING SETUP WHEN SPECIFIED:**
- INSTALL FRESH AIR TEMPERING KIT WIRING HARNESS AS RECOMMENDED BY LENNOX.
 - LOCATE SUPPLY AIR TEMPERATURE SENSOR IN SUPPLY DUCT DOWNSTREAM OF FIRST ELBOW. SECURE WIRING TO DUCT OR STRUCTURE WITH RUBBER COATED CLAMPS. DO NOT RUN WIRING INSIDE DUCT WORK. PROTECT ALL WIRING PENETRATIONS WITH RUBBER GROMMETS.
 - FOR PRODIGY 2.0: FIRST SET FRESH AIR HEATING ENABLE TO 'YES' THRU THE TAB/DAMPER MENU (LEAVE FRESH AIR COOLING AS 'NO'). NEXT, CHANGE PRODIGY-M3 BOARD CONTROL PARAMETER #156 TO A VALUE OF 66. THIS WILL PREVENT THE SUPPLY AIR TEMPERATURE FROM DROPPING BELOW 66° DEG DURING HEATING MODE WHEN THERMOSTAT IS NOT ACTIVELY CALLING FOR HEAT.
 - CHANGE PRODIGY-M3 BOARD CONTROL PARAMETER #157 TO A VALUE OF 14. THIS WILL MAKE THE DEADBAND VALUE EQUAL 14°.
 - CHANGE PRODIGY-M3 BOARD CONTROL PARAMETER #158 TO A VALUE OF 300. THIS WILL MAKE THE CYCLE TIME VALUE EQUAL 3 MINUTES.

2 ROOFTOP UNIT CONTROL WIRING - LENNOX

NO SCALE



1 SMOKE DETECTOR AND ANNUNCIATOR WIRING DIAGRAM - LENNOX

NO SCALE



Chick-fil-A

5200 Buffington Rd.
 Atlanta Georgia,
 30349-2998

Revisions:
 Mark Date By
 3 10/11/21 CH
 BIR UPDATE

4 11/16/21 CH
 RTU WIRING
 PROTO UPDATES

SEAL



INTERPLAN
 INTERPLAN LLC
 ARO011595
 CA 8640
 ARCHITECTURE
 ENGINEERING
 PERMITTING
 220 E. CENTRAL PKWY, STE 4000
 ALPHARETTA SPRINGS, GA 32011
 407.645.5008

STORE
 STONEBRIDGE
 VILLAGE FSU
 S06N-98R

5905 SPROUT
 SPRINGS RD. FLOWERY
 BRANCH, GA 30542

SHEET TITLE
 MECHANICAL
 DETAILS

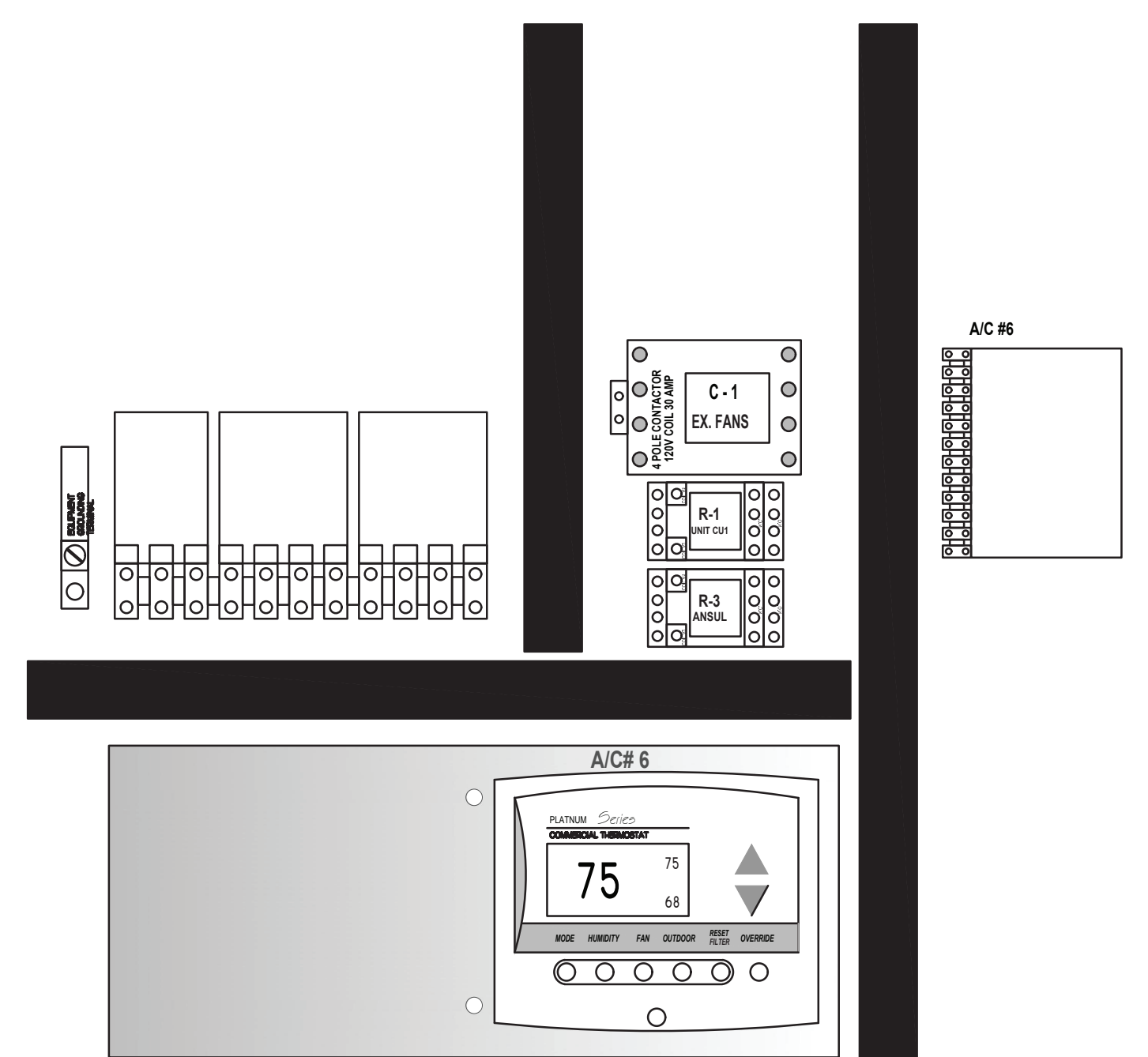
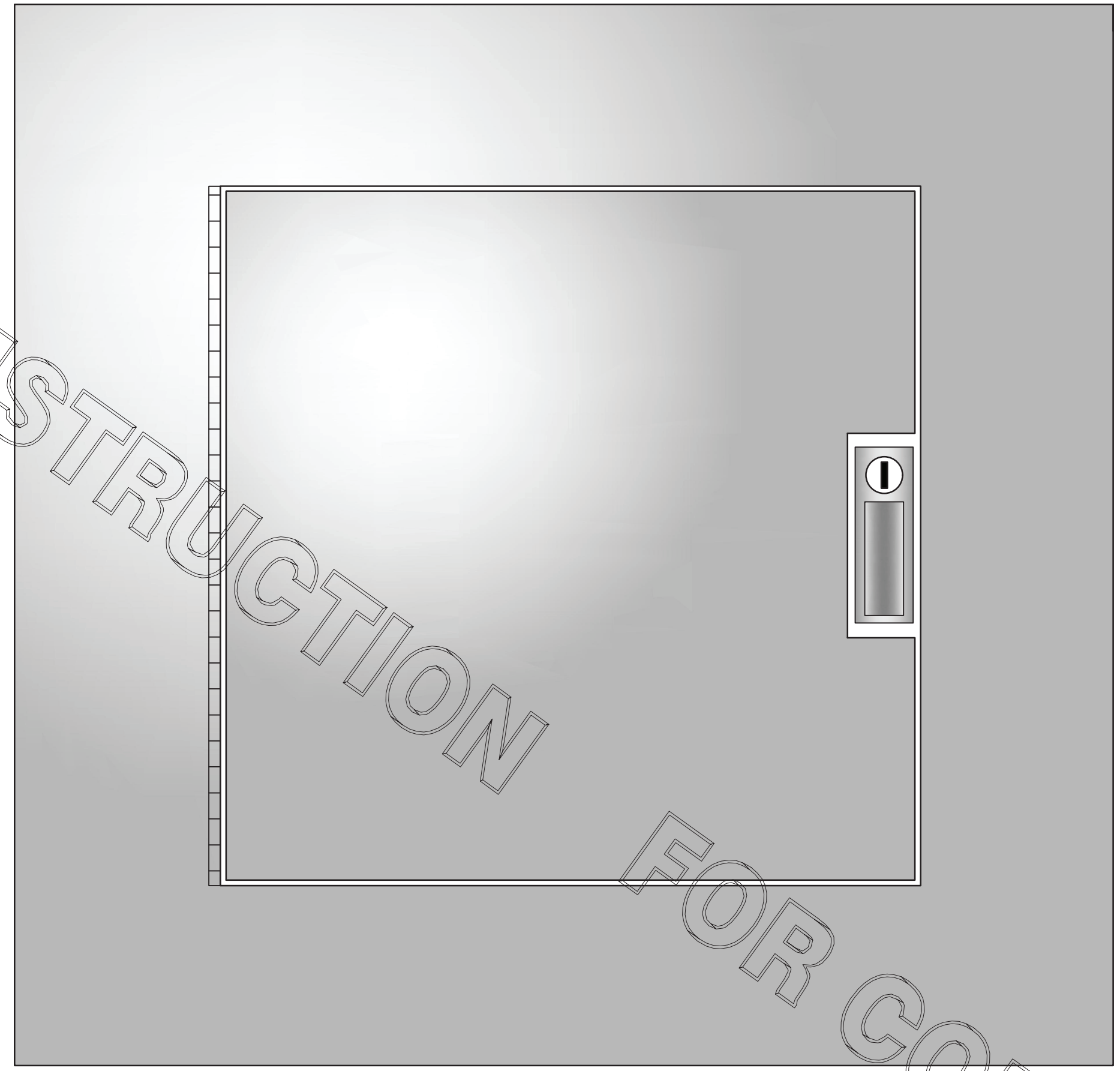
VERSION:
 ISSUE DATE:

Job No. : 18.0772
 Store : 02110
 Date : 09/2021
 Drawn By : CH
 Checked By : DAK

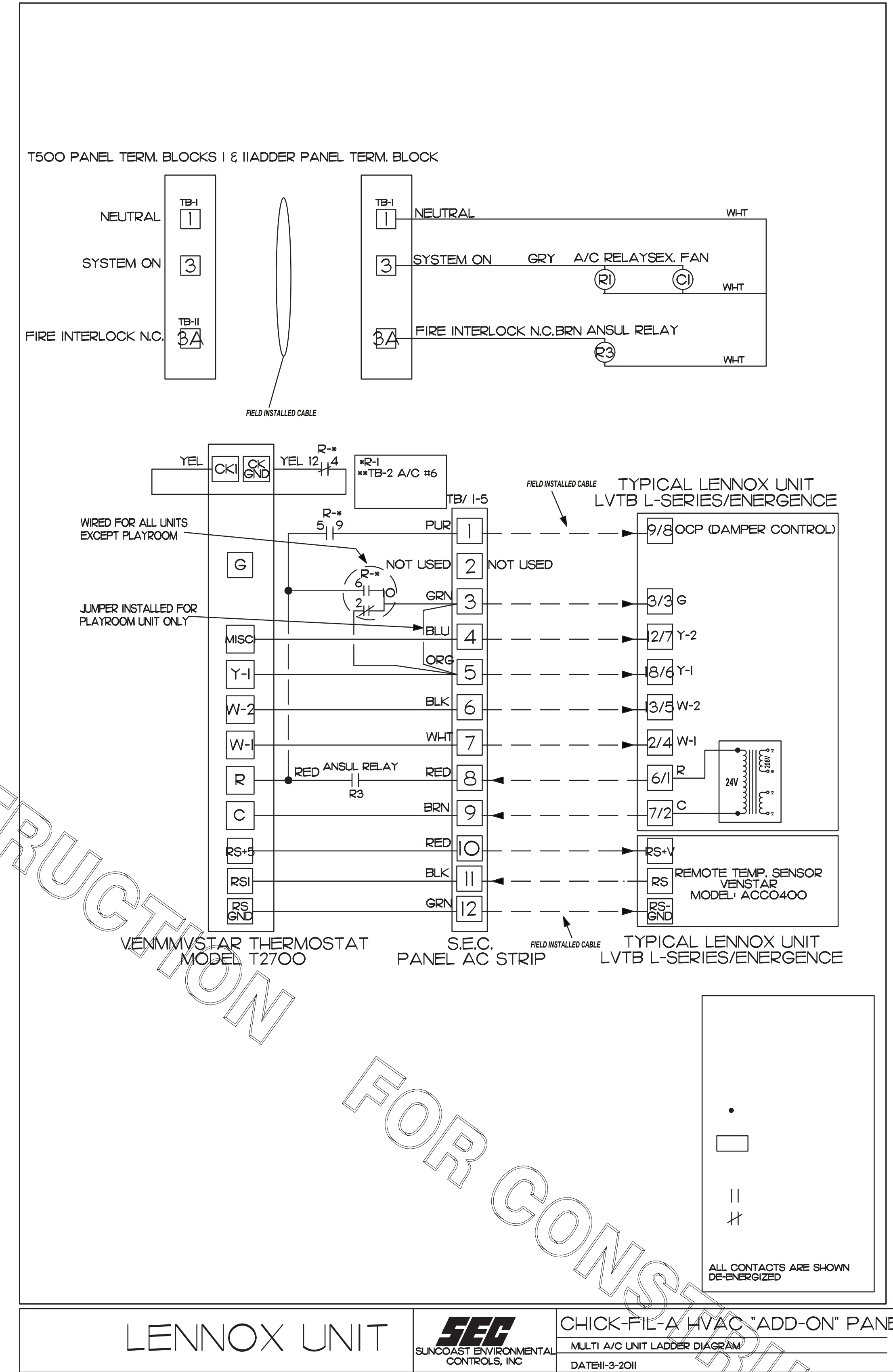
Sheet

M4.2

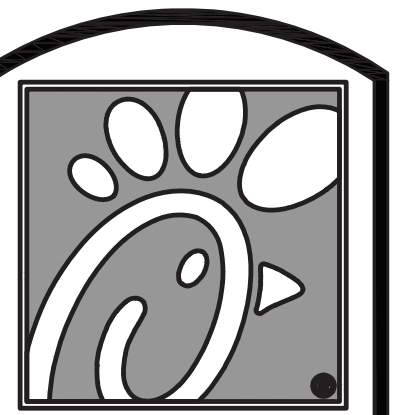
FOR CONSTRUCTION



I SUNCOAST PANEL
NONE



LENNOX UNIT
SEC SUNCOAST ENVIRONMENTAL CONTROLS, INC.
CHICK-FIL-A HVAC "ADD-ON" PANEL
MULTI A/C UNIT LADDER DIAGRAM
DATE: 11-3-2011



Chick-fil-A

5200 Buffington Rd.
Atlanta Georgia,
30349-2998

Revisions:

Mark	Date	By
△		
△		
△		
△		



INTERPLAN
INTERPLAN LLC
AR0011595
CA 8640
ARCHITECTURE
ENGINEERING
PERMITTING
220 E. CENTRAL PKWY. STE 4000
ALFAMONTE SPRINGS, FL 32701
407.645.5008

STORE
STONEBRIDGE
VILLAGE FSU
S06N-98R
5905 SPROUT
SPRINGS RD. FLOWERY
BRANCH, GA 30542

SHEET TITLE
MECHANICAL
CONTROLS

VERSION:
ISSUE DATE:

Job No. : 18.0772
Store : 02110
Date : 09/2021
Drawn By : CH
Checked By: DAK

Sheet
M4.3

I. SECTION CIS000 - MECHANICAL SPECIFICATIONS

PART I - GENERAL

1.01 SCOPE

- A. IT IS THE RESPONSIBILITY OF CONTRACTOR TO READ ALL SPECIFICATIONS AND CONSULT ALL DRAWINGS WHICH MAY AFFECT THE INSTALLATION AND COORDINATION OF HIS WORK WITH OTHER TRADES. CONTRACTOR SHALL COORDINATE AND MAKE MINOR ADJUSTMENTS IN LOCATION OF EQUIPMENT AND MATERIALS AS NECESSARY TO SECURE COORDINATION.
- B. COMPLETED INSTALLATION SHALL CONFORM TO ALL APPLICABLE FEDERAL, STATE AND LOCAL CODES AND ORDINANCES, INCLUDING BUT NOT LIMITED TO THE LATEST APPROVED EDITIONS OF NFPA-96, NFPA-90A, NFPA-54, SMACNA, ASHRAE 90.1 AND ASHRAE 62.
- C. SYSTEM LAYOUT IS SCHEMATIC AND EXACT LOCATIONS SHALL BE DETERMINED BY STRUCTURAL CONDITIONS, COORDINATION WITH OTHER TRADES, COORDINATION WITH FINISHES AND OTHER CONDITIONS. STRUCTURAL SUPPORTS SHALL NOT BE CUT OR ALTERED TO ASSURE FIT OF HVAC SYSTEM. TEN FOOT CLEARANCE SHALL BE MAINTAINED BETWEEN OUTSIDE AIR INTAKES AND EXHAUST FANS AND PLUMBING VENT TERMINALS.
- D. CONTRACTOR SHALL BE RESPONSIBLE FOR ALL DEFECTS, REPAIRS AND REPLACEMENTS IN MATERIALS AND WORKMANSHIP FOR A PERIOD OF ONE (1) YEAR AFTER FINAL PAYMENT IS APPROVED. CONTRACTOR SHALL HONOR FACTORY WARRANTIES ON ALL EQUIPMENT PROVIDED AS PART OF THIS SYSTEM.
- E. UPON COMPLETION OF PROJECT, ALL SYSTEM EQUIPMENT AND MATERIALS SHALL BE IN NEW, CLEAN CONDITION WITH ALL DAMAGE RESTORED TO CONDITION ACCEPTABLE TO THE OWNERS REPRESENTATIVE. ALL EQUIPMENT, COMPONENTS AND DUCTWORK SHALL BE INSPECTED AND THOROUGHLY CLEANED, READY FOR USE. AT COMPLETION OF JOB, ALL MISCELLANEOUS TOOLS, SCAFFOLDING, SURPLUS MATERIALS, RUBBISH AND DEBRIS SHALL BE REMOVED BY CONTRACTOR.
- F. CONTRACTOR SHALL PROVIDE TWO SETS OF 2" MERV 8 OR HIGHER THROW AWAY TYPE FILTERS. A CLEAN SET SHALL BE PROVIDED PRIOR TO TEST AND BALANCE AND AGAIN PRIOR TO OPENING.

PART II - PRODUCTS

2.01 HEATING AND COOLING EQUIPMENT (C15730)

- A. FURNISH AND INSTALL R-410A ROOFTOP SINGLE PACKAGE COMBINATION ELECTRIC COOLING AND NATURAL GAS FIRED HEATING UNITS BY LENNOX AS SHOWN ON DRAWINGS. EQUIPMENT SHALL BE ARI CERTIFIED AND A.G.A. AND U.L. LISTED.
- B. ACCESSORIES SHALL INCLUDE LOW AND HIGH PRESSURE SAFETIES, CRANK CASE HEATER, OVERCURRENT AND OVERTEMPERATURE SAFETY, COMPRESSOR VIBRATION ISOLATORS, FILTER DRIERS, REFRIGERANT SERVICE VALVES, COIL HAIL GUARDS WHERE SCHEDULED, CONVENIENCE OUTLETS FACTORY INSTALLED ON SCHEDULED UNITS, UNIT MOUNTED NON-FUSED DISCONNECTS, LOW AMBIENT OPERATION DOWN TO 30 DEGREES F AND EVAPORATOR FREEZE STAT.
- C. COMPRESSORS SHALL BE FULLY HERMETIC SCROLL TYPE WITH INTERNAL VIBRATION ISOLATORS. COMPRESSORS SHALL BE PROVIDED WITH A MINIMUM FIVE (5) YEAR FULL WARRANTY.
- D. THE UNIT HEAT EXCHANGERS SHALL BE STEEL WITH ALUMINIZED STEEL COATING. HEATING CONTROLS SHALL CONSIST OF REDUNDANT GAS VALVES, INTERMITTENT PILOT WITH ELECTRONIC SPARK OR HOT PLATE IGNITION SYSTEM, COMBUSTION/EXHAUST FAN PROTECTED BY CENTRIFUGAL SWITCHES, HEAT LIMIT SWITCHES, TIME-DELAY RELAY, FLAME, AND PILOT SENSORS. ALL UNITS SHALL BE CAPABLE OF TWO STAGES OF HEAT. HEAT EXCHANGES SHALL HAVE A TEN (10) YEAR WARRANTY. BURNERS SHALL BE ALUMINIZED IN-SHOT TYPE. THE DRAFT MOTOR SHALL BE MONITORED BY THE CONTROL SYSTEM.
- E. CHICK-FIL-A MAINTAINS A NATIONAL ACCOUNT FOR EQUIPMENT WITH LENNOX CORPORATION. PRICING FOR THE EQUIPMENT HAS BEEN ESTABLISHED IN ADVANCE. CONTACT LENNOX NATIONAL ACCOUNTS AT 800-367-6285 (OR BY FAX AT 972-497-5112) FOR PRICING, ORDERING AND AVAILABILITY.

2.02 DUCTWORK (C15735) (SEE DWG M2.1 FOR ADDITIONAL GREASE DUCT SYSTEM REQ.)

- A. ACCEPTABLE MANUFACTURERS OF INSULATION ARE MANVILLE, OWENS CORNING OR KNAUF.
- B. ALL DUCTWORK SHALL BE SHEET METAL, UNLESS NOTED OTHERWISE (U.N.O.).
- C. DUCT DIMENSIONS SHOWN ARE INSIDE CLEAR DIMENSIONS, U.N.O.
- D. CONSTRUCTION OF DUCTWORK SHALL MEET SMACNA 1" W.C. PRESSURE CLASS STANDARD AND RECOMMENDATIONS. SMACNA SHALL BE FOLLOWED WITH RESPECT TO GAGE THICKNESS, JOINTS, REINFORCING, CONSTRUCTION, INSTALLATION AND SUPPORT FOR PRESSURE CLASS STATED. ALL TRANSVERSE JOINTS IN RECTANGULAR AND ROUND DUCT INCLUDING DUCT CONNECTION TO AIR DEVICE COLLAR SHALL BE SEALED PER SMACNA SEAL CLASS C WITH U.L. DUCT MASTIC SEALANT APPROVED FOR INTENDED USE. DUCT TAPE IS NOT AN ACCEPTABLE SUBSTITUTE FOR MASTIC UNLESS EQUAL TO HARDCAST FOIL-GRIP 1402 BUTYL RUBBER ADHESIVE TAPE.
- E. DUCT SHALL BE SUPPORTED AT BASE OF DUCT DROPS. CURB DUCT RAILS ARE NOT INTENDED TO AND SHALL NOT SUPPORT THE WEIGHT OF THE DUCT.
- F. ALL DUCT INSULATION SHALL MEET MINIMUM R-VALUE REQUIRED BY ASHRAE 90.1 LATEST EDITION. ALL DUCT WRAP SHALL BE MINIMUM 2" THICK, 3/4 PCF AND 5.6 R-VALUE INSTALLED WITH EITHER A VAPOR BARRIER WITH MAXIMUM PERMEANCE 0.05 OR A MINIMUM 2 MIL ALUMINUM REINFORCED FOIL/KRAFT FACING.
- G. ALL DUCT DROPS FROM THE ROOFTOP UNITS SHALL BE EXTERNALLY INSULATED.
- H. SUPPLY AND RETURN AIR DUCTWORK SERVING ALL AREAS SHALL BE EXTERNALLY INSULATED.
- I. ALL AIR CONVEYANCE COMPONENTS SUCH AS, BUT NOT LIMITED TO DUCT, DUCT PLENUMS, GRILLES/DIFFUSERS, BACK PANS, AND BOOTS SHALL BE INSULATED. INSULATION TYPE IS COVERED ELSEWHERE IN THIS SPECIFICATION.
- J. RESTROOM RECTANGULAR EXHAUST AIR DUCTWORK SHALL BE LINED WITH 1" THICK, 1-1/2 PCF INSULATION.
- K. TRUNK DUCTS SHALL BE ISOLATED FROM UNIT VIBRATION WITH THE USE OF NFPA AND U.L. APPROVED FLEXIBLE CONNECTORS INSTALLED AT THE TOP OF BOTH SUPPLY AND RETURN DROPS.
- L. INSULATED FLEXIBLE DUCT MAY BE UTILIZED FOR RUNOUTS TO GRILLES AND DIFFUSERS ONLY IN THE HORIZONTAL POSITION AND IN MAXIMUM LENGTHS OF 4'-0", NO EXCEPTIONS. SEE TAKE-OFF DETAIL ON DRAWING M4.1.
- M. CONSTRUCTION OF FLEXIBLE DUCTWORK SHALL INCLUDE SPIRAL METAL HELIX BONDED TO A POLYESTER CORE, FIBERGLASS INSULATION WITH POLYETHYLENE OR MYLAR VAPOR BARRIER. ALL COMPONENTS SHALL HAVE APPROPRIATE UL APPROVAL AND SHALL BE EQUIVALENT TO THERMAFLEX MKE.
- N. FLEXIBLE DUCT SHALL BE INSTALLED PER THE "ADC FLEXIBLE DUCT PERFORMANCE AND INSTALLATION STANDARDS, 4TH ED" USING FOIL TAPE AND DRAWBAND ON THE INNER CORE AND TAPE OR DRAWBAND ON THE OUTER JACKET.
- O. DUCT TAPE SHALL BE EQUAL TO FASSON 181-B FX, 2-1/2" WIDE.
- P. SINGLE THICKNESS TURNING VANES SHALL BE INSTALLED AT 90 DEGREE TURNS IN SUPPLY DUCTWORK WHERE ANY ONE DIMENSION IS GREATER THAN 12".
- Q. RADIUSSED ELBOWS MAY BE SUBSTITUTED FOR 90 DEGREE ELBOWS AT THE DISCRETION OF THE CONTRACTOR. CENTERLINE RADIUS EQUAL TO; R=W PER FIGURE NO. 2-2 IN SMACNA HVAC DUCT CONSTRUCTION STANDARDS.
- R. EXTERNAL INSULATION ON BOTTOM OF DUCTS 24" OR WIDER SHALL BE SUPPORTED WITH STICK PINS ON 18" CENTERS. STICK PIN WASHERS SHALL BE COVERED WITH DUCT TAPE OR MASTIC.

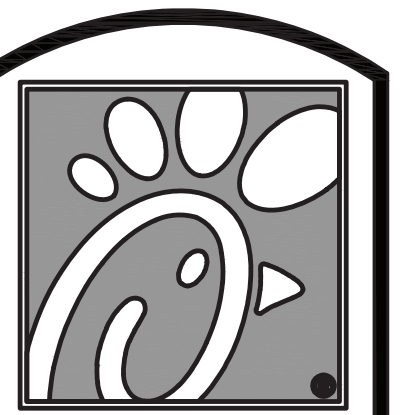
2.03 CONTROLS (C15735)

- A. SYSTEMS SHALL BE COMPLETE WITH CONNECTIONS TO CFA-500 TEMPERATURE CONTROL PANEL AS MANUFACTURED BY SUNCOAST ENVIRONMENTAL CONTROLS (S.E.C.) (PH: 877-544-6679). THE PANEL IS PROVIDED AND MOUNTED BY THE ELECTRICAL CONTRACTOR. CONTROL WIRING TERMINATIONS ARE BY THE MECHANICAL CONTRACTOR.
- B. THE SMOKE DETECTORS SHALL BE FACTORY INSTALLED AND WIRED BY THE ROOFTOP UNIT MANUFACTURER.
- C. A FACTORY INSTALLED SMOKE DETECTOR IN THE RETURN AIR SECTION OF EACH AIR CONDITIONING UNIT SHALL STOP THE INDOOR FAN AND CLOSE THE OUTSIDE AIR DAMPER IN THE EVENT OF EXCESSIVE TEMPERATURE OR SMOKE. SMOKE DETECTOR SHALL BE LOCATED PRIOR TO ANY EXHAUST FROM THE BUILDING OR MIXING WITH FRESH AIR MAKE-UP. UPON DETECTION, THE SYSTEM SHALL NOT RESTART UNTIL THE DEVICE IS MANUALLY RESET. DEVICES SHALL BE LOCATED WHERE THEY CAN BE EASILY ACCESSED AND WHERE CLEAR OF FILTERS.
- D. CHICK-FIL-A HAS A NATIONAL ACCOUNT WITH SUNCOAST ENVIRONMENTAL CONTROLS FOR THE SMOKE DETECTOR TEST/RESET ANNUNCIATOR STATIONS. THE TEST/RESET STATIONS WILL BE PURCHASED BY THE ELECTRICAL CONTRACTOR AS A PART OF A NATIONAL ACCOUNT PACKAGE AND TURNED OVER TO THE MECHANICAL CONTRACTOR FOR INSTALLATION.
- E. THE REMOTE TEST/RESET ANNUNCIATORS SHALL BE PROVIDED BY THE ELECTRICAL CONTRACTOR AND INSTALLED BY THE MECHANICAL CONTRACTOR. INSTALLATION BY MECHANICAL SHALL INCLUDE MOUNTING OF THE ANNUNCIATORS AND ALL WIRING FROM EACH DEVICE TO THE RTU. ELECTRICAL WILL PROVIDE A JUNCTION BOX IN THE WALL WITH 1/2" CONDUIT STUBBED UP ABOVE THE CEILING FOR EACH REMOTE TEST STATION AS SHOWN ON THE ELECTRICAL PLANS. ANNUNCIATOR SHALL BE SUNCOAST CONTROLS REMOTE TEST/RESET STATION WITH POWER LED, TROUBLE LED, ALARM LED, 90DB HORN AND TEST/RESET BUTTON.
- F. THE RESTROOM FAN SHALL BE INTERLOCKED TO THE LIGHTS SERVING THE MEN AND WOMEN'S RESTROOMS. THE HOOD FANS SHALL BE CONTROLLED VIA THE SUNCOAST CFA-500 CONTROL PANEL. WIRING, RELAYS AND SWITCHES FOR CONTROL OF ALL FANS ARE BY ELECTRICAL CONTRACTOR.
- G. LENNOX UNITS - THERMOSTATS ARE PROVIDED AND INTEGRATED INTO THE TEMPERATURE CONTROL PANEL BY SUNCOAST ENVIRONMENT CONTROLS. SUNCOAST WILL PROVIDE A VENSTAR T2700 THERMOSTAT PRE-WIRED IN THE TEMPERATURE CONTROL PANEL. A REMOTE TEMPERATURE SENSOR FOR EACH THERMOSTAT IS ALSO PROVIDED. MECHANICAL CONTRACTOR SHALL INSTALL ALL WIRING BETWEEN THE THERMOSTAT, THE REMOTE SENSOR AND THE ROOFTOP UNIT.
- H. MECHANICAL CONTRACTOR SHALL INSTALL CONTROL WIRING IN 1/2" CONDUIT WHERE REQUIRED BY CODE. WHERE NOT REQUIRED TO BE IN CONDUIT, ALL WIRING SHALL BE RUN PARALLEL TO STRUCTURAL MEMBERS OR PERPENDICULAR WITH NO DIAGONAL ROUTING. ALL WIRING SHALL BE SECURED TO THE FRAMING TO PREVENT SAGGING IN RUNS. WIRING TO ROOFTOP UNITS SHALL BE ROUTED THROUGH THE FACTORY THRU-BASE FITTING IN THE UNIT BASE. NO SPLICING OF WIRING WILL BE ACCEPTED. ALL WIRING ABOVE THE ROOF SHALL BE INSTALLED IN EXTERIOR GRADE FLEXIBLE CONDUIT. ALL CONTROL WIRING AND CONTROL WIRING CONDUIT SHALL BE FURNISHED AND INSTALLED BY THE MECHANICAL CONTRACTOR. WIRING SHALL BE INSTALLED IN ACCORDANCE WITH LATEST EDITION OF NEC. ALL LOW VOLTAGE CONTROL WIRING SHALL BE NO LESS THAN 18 AWG MIN. CONTROL WIRING CONDUCTORS SHALL BE SIZED TO ACCOUNT FOR LOAD AND LENGTH OF RUN TO ALLOW SUFFICIENT VOLTAGE AVAILABLE AT CONTROLLED DEVICE TO OPERATE THE SYSTEM RELIABLY.

PART III - EXECUTION

3.01 SCOPE

- A. FURNISH AND INSTALL SYSTEM IN ACCORDANCE WITH REFERENCED STANDARDS, APPLICABLE CODES, MANUFACTURER'S RECOMMENDATIONS AND AS INDICATED ON DRAWINGS.
- B. OWNER SHALL TEST AND BALANCE MECHANICAL SYSTEM IN ACCORDANCE WITH NCI OR AABC STANDARDS TO ASSURE CONFORMANCE WITH DESIGN. G.C. WILL MAKE MECHANICAL CONTRACTOR AVAILABLE DURING TEST AND BALANCE TO ASSIST TESTING AGENCY AND TO MAKE CORRECTIONS IMMEDIATELY NECESSARY. CONTRACTOR SHALL CORRECT ITEMS ON WRITTEN TEST AND BALANCE REPORT.
- C. CONTRACTOR SHALL INSTRUCT THE OWNER'S REPRESENTATIVE IN ALL MATTERS PERTAINING TO THE PROPER MAINTENANCE OF EQUIPMENT FURNISHED UNDER THIS CONTRACT THROUGH DEMONSTRATION AND EXPLANATION OF OPERATING & MAINTENANCE MANUALS.
- D. CONTRACTOR SHALL PROVIDE A "SAMPLE MAINTENANCE PROPOSAL" TO THE OWNER'S REPRESENTATIVE IN ALL MATTERS PERTAINING TO THE PROPER MAINTENANCE OF EQUIPMENT FURNISHED UNDER THIS CONTRACT.
- E. CONTRACTOR SHALL COMPLETE A/C EQUIPMENT STARTUP DOCUMENTATION PROVIDED BY OWNER.

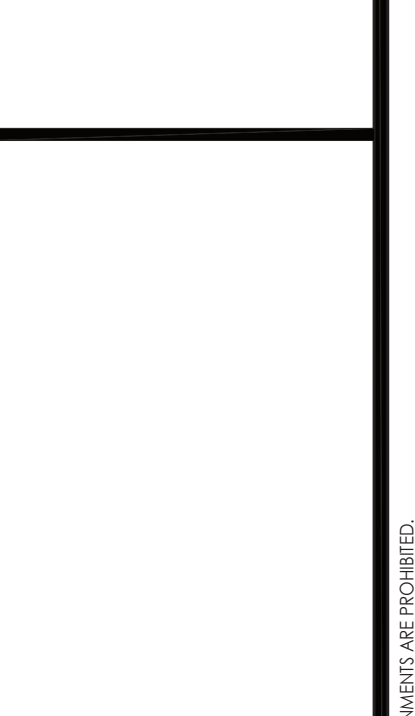


5200 Buffington Rd.
Atlanta Georgia,
30349-2998

Revisions:
Mark Date By

△			
△			
△			
△			

SEAL



INTERPLAN
INTERPLAN LLC
AR0011595
CA 96460
ARCHITECTURE
ENGINEERING
PERMITTING
220 E. CENTRAL PKWY, STE 4000
ALAMONTE SPRINGS, FL 32701
407.645.5008

STORE
STONEBRIDGE
VILLAGE FSU
S06N-98R

5905 SPROUT
SPRINGS RD. FLOWERY
BRANCH, GA 30542

SHEET TITLE
MECHANICAL
SPECIFICATIONS

VERSION: _____
ISSUE DATE: _____

Job No. : 18.0772
Store : 02110
Date : 09/2021
Drawn By : CH
Checked By : DAK

Sheet



NATIONAL ACCOUNTS

1.	LENNOX EQUIPMENT - CONTACT LENNOX NATIONAL ACCOUNTS AT 800-367-6285 (OR BY FAX AT 972-497-5112) FOR PRICING, ORDERING AND AVAILABILITY. LENNOX EQUIPMENT NOT PURCHASED THRU LENNOX NATIONAL ACCOUNTS WILL NOT BE ACCEPTED.	6.	HALTON HOODS - CHICK-FIL-A WILL PURCHASE AND PROVIDE THE HOODS FOR INSTALLATION BY THE MECHANICAL CONTRACTOR. THE MECHANICAL CONTRACTOR SHALL BE RESPONSIBLE FOR RECEIVING THE HOODS. CONTACT HALTON CO. AT 270-237-5600 FOR MORE INFO.
2.	LOREN COOK FAN AND CURB PACKAGE - THE MECHANICAL CONTRACTOR IS REQUIRED TO PURCHASE THE FAN/CURB PACKAGE DIRECTLY FROM TOM BARROW COMPANY. CONTACT MR. SCOTT GEORGE AT 404-351-1010 FOR PRICING AND AVAILABILITY. FANS AND CURBS NOT PURCHASED THRU TOM BARROW COMPANY WILL NOT BE ACCEPTED.	7.	ROYAL METAL PRODUCTS START COLLARS - THE MECHANICAL CONTRACTOR IS REQUIRED TO PURCHASE THE START COLLARS DIRECTLY FROM TOM BARROW COMPANY. CONTACT MR. SCOTT GEORGE AT 404-351-1010 FOR PRICING AND AVAILABILITY. START COLLARS NOT PURCHASED THRU TOM BARROW COMPANY WILL NOT BE ACCEPTED.
3.	PRICE AIR DEVICES - THE MECHANICAL CONTRACTOR IS REQUIRED TO PURCHASE THE AIR DEVICES DIRECTLY FROM TOM BARROW COMPANY. CONTACT MR. SCOTT GEORGE AT 404-351-1010 FOR PRICING AND AVAILABILITY. AIR DEVICES NOT PURCHASED THRU TOM BARROW COMPANY WILL NOT BE ACCEPTED.		
4.	AIR DOORS - THE MECHANICAL CONTRACTOR IS REQUIRED TO PURCHASE THE AIR DOORS DIRECTLY FROM TOM BARROW COMPANY. CONTACT MR. SCOTT GEORGE AT 404-351-1010 FOR PRICING AND AVAILABILITY. AIR DOORS NOT PURCHASED THRU TOM BARROW COMPANY WILL NOT BE ACCEPTED.		
5.	SUNCOAST ENVIRONMENTAL CONTROLS - THE CFA 500 PANEL AND THE TEST/RESET STATIONS WILL BE PURCHASED AND PROVIDED BY THE		
			ELECTRICAL CONTRACTOR AS A PART OF A NATIONAL ACCOUNT PACKAGE. SEE PART II PARAGRAPH 3A, 3D, AND 3E OF THE MECHANICAL SPECIFICATIONS FOR MORE INFORMATION.



5200 Buffington Rd.
Atlanta Georgia,
30349-2998

Revisions:
Mark Date By

1			
2			
3			
4			
5			
6			
7			

FOR INFORMATION ONLY

INTERPLAN
INTERPLAN LLC
AR0011595
CA 8640
ARCHITECTURE
ENGINEERING
PERMITTING
220 E. CENTRAL PKWY. STE 4000
ALPHARETTA, GA 30201
407.645.5008

STORE
STONEBRIDGE
VILLAGE FSU
S06N-98R

5905 SPROUT
SPRINGS RD. FLOWERY
BRANCH, GA 30542

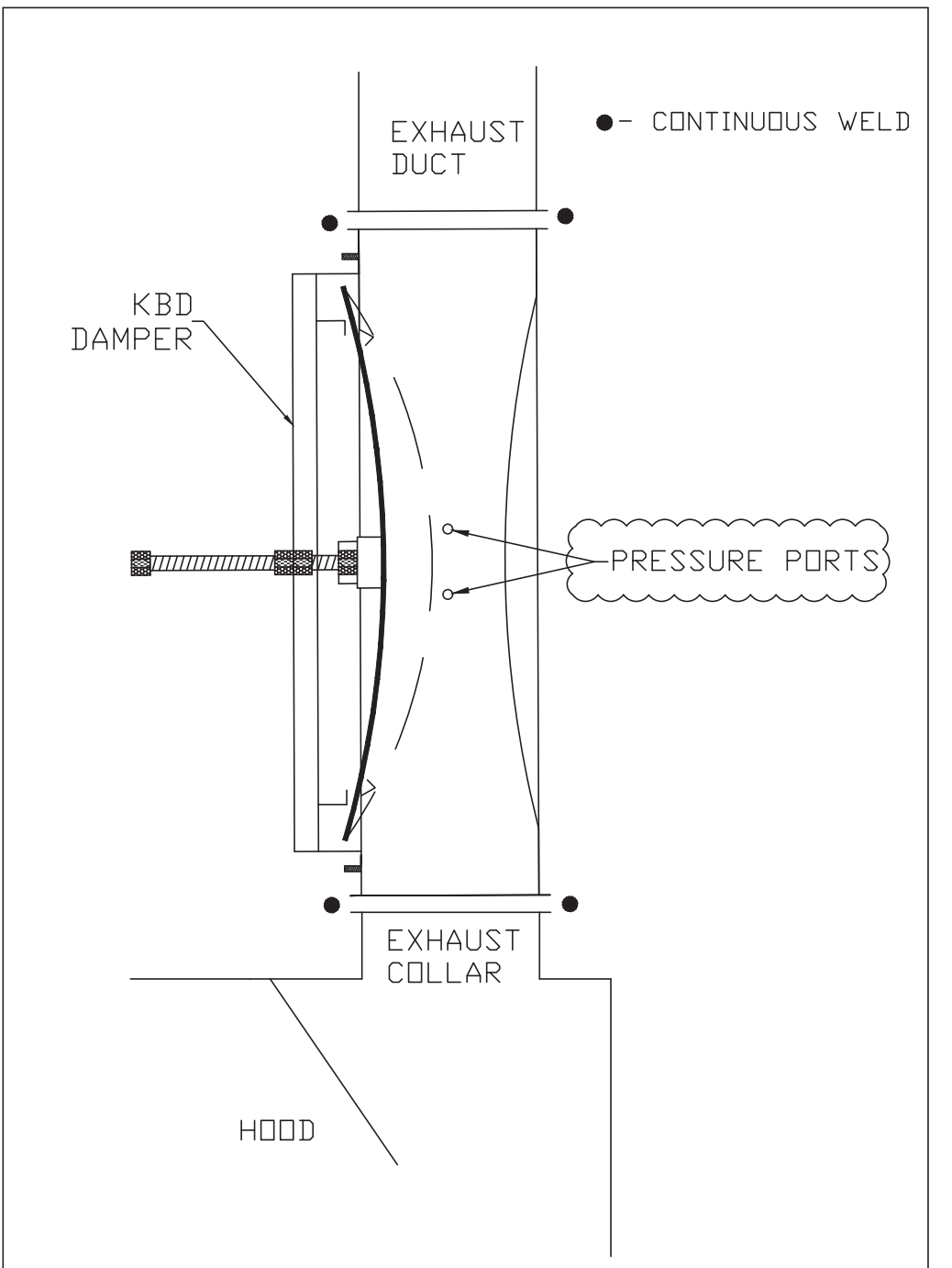
SHEET TITLE
HOOD DETAILS

VERSION:
ISSUE DATE:

Job No. : 18.0772
Store : 02110
Date : 09/20/21
Drawn By : CH
Checked By : DAK

Sheet
MHI

CHRH-ER - 02/25/2022 12:03:59 PM



THIS DRAWING MUST BE CHECKED, SIGNED AND RETURNED TO THE APPROPRIATE FACTORY. PLEASE VERIFY THE FOLLOWING:

- ALL DIMENSIONAL INFORMATION, MOUNTING POSITIONS AND CLEARANCES.
- ALL CLEARANCES AND TYPE OF COOKING EQUIPMENT.

NOTE TO ARCHITECT:
ANY CHANGES TO COOKING EQUIPMENT SUCH AS INCREASED ENERGY INPUTS OR EQUIPMENT POSITION MAY AFFECT EXHAUST AIRFLOW. HALTON MUST BE NOTIFIED IF ANY OF THESE CHANGES OCCUR. A RECALCULATION EXHAUST AIRFLOW MAY BE REQUIRED.

REVISE AND RESUBMIT
 APPROVED FOR FABRICATION
 WITH NO CHANGES
 WITH CHANGES AS NOTED

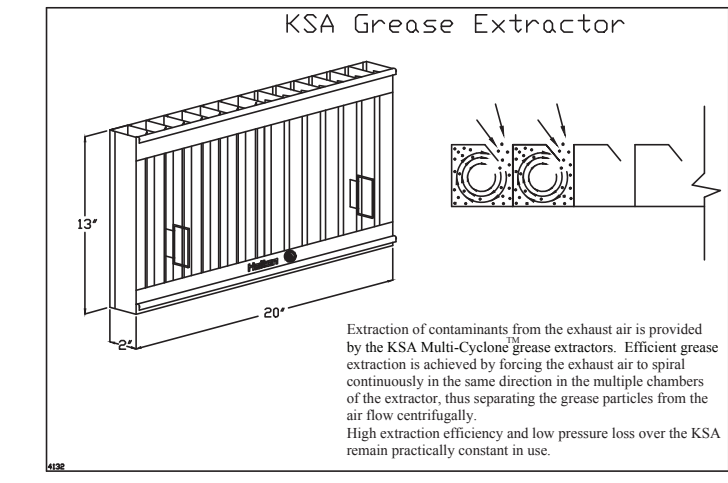
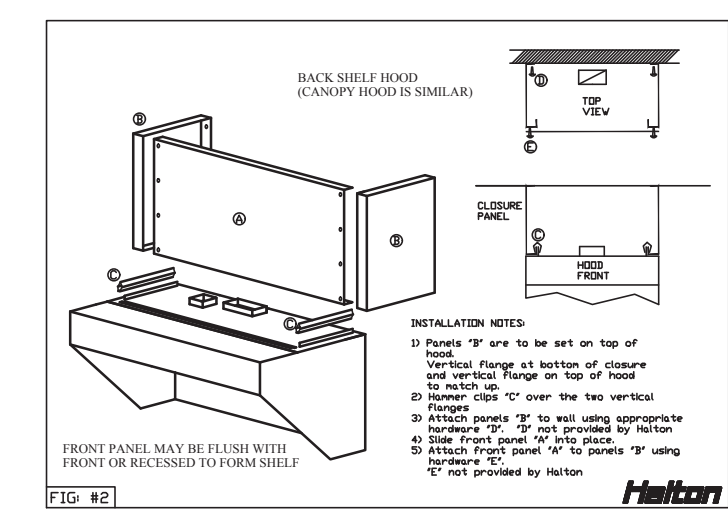
APPROVED BY: _____ DATE: _____

MAIL APPROVED DRAWINGS TO APPROPRIATE FACTORY BELOW: WEBSITE: WWW.HALTONCOMPANY.COM

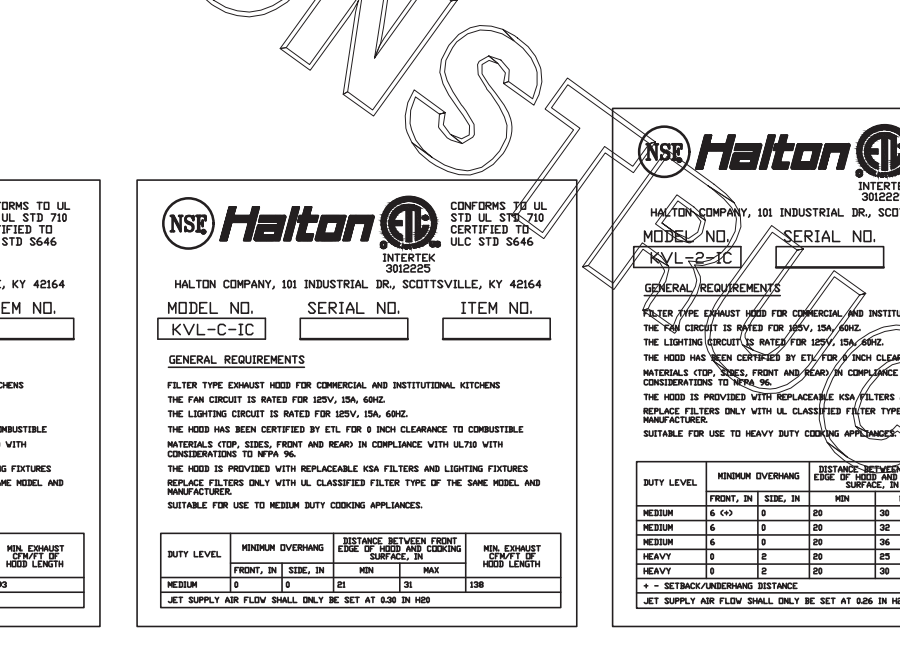
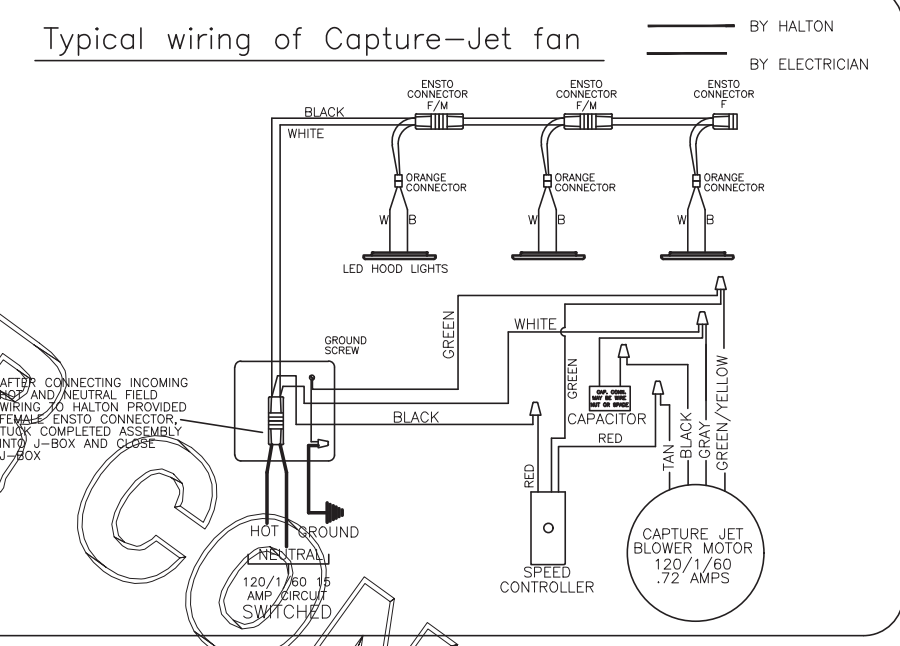
HALTON CO. (USA)	101 INDUSTRIAL DRIVE	SCOTTSVILLE, KY 42164	1-800-624-0301
HALTON CO. (CANADA)	1021 BREWICK PLACE	MISSISSAUGA, ON L4W 3R7	1-905-624-0301

REVISION DESCRIPTION

REV.	DATE	BY	DESCRIPTION
1			
2			
3			
4			
5			
6			
7			



HOODS H-1L/R, H-2 & H-3



HOOD H-1.1

MODEL: KVL-D-1C

STANDARD FEATURES

- S.S. FILTERS (KSA) 1
- CAPTURE-JET *
- STAND-OFF *
- L.E.D. LIGHTS 1

OPTIONS

- REMOTE SWITCH PANEL *
- FIRE PROTECTION *
- ETL LISTED W/D EXHAUST DAMPER *
- CEILING CLOSURE 2
- STD. BACKSPLASH *
- INSULATED BACKSPLASH *
- KBD DAMPER *

MATERIAL

- EXPOSED SURFACES 18 GA. S.S.
- ALL 18 GA. S.S.

COMMENTS:

- CLOSURE HEIGHT = TBD (TWO SIDES)
- CEILING HEIGHT = ADVISE CEILING CLOSURE NECESSARY IF FROM FRONT TO CREATE SHELF
- FRONT CLOSURE PANEL WITH CAPTURE-JET ACCESS DOOR
- RIGHT SIDE ACCESS DOOR
- INSULATED TANKS & KBD DAMPER
- 18"X18" ACCESS DOOR CENTERED AT CAPTURE-JET W/ FRONT C.J. INTAKE
- NOTCHED RIGHT END PANEL
- DOUBLE RECEPTACLE PIN & SLEEVE
- 3" X 3" TRIM STRIP FOR STAND-OFF ON LEFT END
- 3" SIDE & REAR STAND-OFF TO HAVE 1" THICK INSULATION

EQUIPMENT COVERED: (3) GRELL, (3) FRYERS, HOOD WEIGHT= 662 LBS

DATE	DWG. NO.	ITEM NO.	EXHAUST AIR INFORMATION
09.02.21	U21-600-01	H-3	CFM T.A.B. SP

PROJECT: CHICK-FIL-A #2110 STONEBRIDGE VILLAGE

LOCATION: FLOWERY BRANCH, GA

CAPTURE AIR INFORMATION: CFM SP

SUBMITTED BY: HALTON CO.

MODEL: KVL-C-1C

STANDARD FEATURES

- S.S. FILTERS (KSA) 4
- 1/2 S.S. FILTERS (KSA) 1
- CAPTURE-JET *
- STAND-OFF *
- L.E.D. LIGHTS 3

OPTIONS

- REMOTE SWITCH PANEL *
- FIRE PROTECTION *
- ETL LISTED W/D EXHAUST DAMPER *
- CEILING CLOSURE 2
- STD. BACKSPLASH *
- INSULATED BACKSPLASH *
- KBD DAMPER *

MATERIAL

- EXPOSED SURFACES 18 GA. S.S.
- ALL 18 GA. S.S.

COMMENTS:

- CLOSURE HEIGHT = TBD (TWO SIDES)
- CEILING HEIGHT = ADVISE CEILING CLOSURE NECESSARY IF FROM FRONT TO CREATE SHELF
- FRONT CLOSURE PANEL WITH CAPTURE-JET ACCESS DOOR
- RIGHT SIDE ACCESS DOOR
- INSULATED TANKS & KBD DAMPER
- 18"X18" ACCESS DOOR CENTERED AT CAPTURE-JET W/ FRONT C.J. INTAKE
- NOTCHED RIGHT END PANEL
- DOUBLE RECEPTACLE PIN & SLEEVE
- 3" X 3" TRIM STRIP FOR STAND-OFF ON LEFT END
- 3" SIDE & REAR STAND-OFF TO HAVE 1" THICK INSULATION

EQUIPMENT COVERED: (3) GRELL, (3) FRYERS, HOOD WEIGHT= 608 LBS

DATE	DWG. NO.	ITEM NO.	EXHAUST AIR INFORMATION
09.02.21	U21-600-01	H-2	CFM T.A.B. SP

PROJECT: CHICK-FIL-A #2110 STONEBRIDGE VILLAGE

LOCATION: FLOWERY BRANCH, GA

CAPTURE AIR INFORMATION: CFM SP

SUBMITTED BY: HALTON CO.

MODEL: KVL-2-1C

STANDARD FEATURES

- S.S. FILTERS (KSA) 3
- 1/2 S.S. FILTERS (KSA) 1
- CAPTURE-JET *
- STAND-OFF *
- L.E.D. LIGHTS 2

OPTIONS

- REMOTE SWITCH PANEL *
- FIRE PROTECTION *
- ETL LISTED W/D EXHAUST DAMPER *
- CEILING CLOSURE 2
- STD. BACKSPLASH *
- INSULATED BACKSPLASH *
- KBD DAMPER *

MATERIAL

- EXPOSED SURFACES 18 GA. S.S.
- ALL 18 GA. S.S.

COMMENTS:

- CLOSURE HEIGHT = TBD (TWO SIDES)
- CEILING HEIGHT = ADVISE CEILING CLOSURE NECESSARY IF FROM FRONT TO CREATE SHELF
- FRONT CLOSURE PANEL WITH CAPTURE-JET ACCESS DOOR
- RIGHT SIDE ACCESS DOOR
- INSULATED TANKS & KBD DAMPER
- 18"X18" ACCESS DOOR CENTERED AT CAPTURE-JET W/ FRONT C.J. INTAKE
- NOTCHED RIGHT END PANEL
- DOUBLE RECEPTACLE PIN & SLEEVE
- 3" X 3" TRIM STRIP FOR STAND-OFF ON LEFT END
- 3" SIDE & REAR STAND-OFF TO HAVE 1" THICK INSULATION

EQUIPMENT COVERED: (3) GRELL, (3) FRYERS, HOOD WEIGHT= 462 LBS

DATE	DWG. NO.	ITEM NO.	EXHAUST AIR INFORMATION
09.02.21	U21-600-01	H-1R	CFM T.A.B. SP

PROJECT: CHICK-FIL-A #2110 STONEBRIDGE VILLAGE

LOCATION: FLOWERY BRANCH, GA

CAPTURE AIR INFORMATION: CFM SP

SUBMITTED BY: HALTON CO.

MODEL: KVL-2-1C

STANDARD FEATURES

- S.S. FILTERS (KSA) 3
- 1/2 S.S. FILTERS (KSA) 1
- CAPTURE-JET *
- STAND-OFF *
- L.E.D. LIGHTS 2

OPTIONS

- REMOTE SWITCH PANEL *
- FIRE PROTECTION *
- ETL LISTED W/D EXHAUST DAMPER *
- CEILING CLOSURE 2
- STD. BACKSPLASH *
- INSULATED BACKSPLASH *
- KBD DAMPER *

MATERIAL

- EXPOSED SURFACES 18 GA. S.S.
- ALL 18 GA. S.S.

COMMENTS:

- CLOSURE HEIGHT = TBD (TWO SIDES)
- CEILING HEIGHT = ADVISE CEILING CLOSURE NECESSARY IF FROM FRONT TO CREATE SHELF
- FRONT CLOSURE PANEL WITH CAPTURE-JET ACCESS DOOR
- RIGHT SIDE ACCESS DOOR
- INSULATED TANKS & KBD DAMPER
- 18"X18" ACCESS DOOR CENTERED AT CAPTURE-JET W/ FRONT C.J. INTAKE
- NOTCHED RIGHT END PANEL
- DOUBLE RECEPTACLE PIN & SLEEVE
- 3" X 3" TRIM STRIP FOR STAND-OFF ON LEFT END
- 3" SIDE & REAR STAND-OFF TO HAVE 1" THICK INSULATION

EQUIPMENT COVERED: (3) GRELL, (3) FRYERS, HOOD WEIGHT= 462 LBS

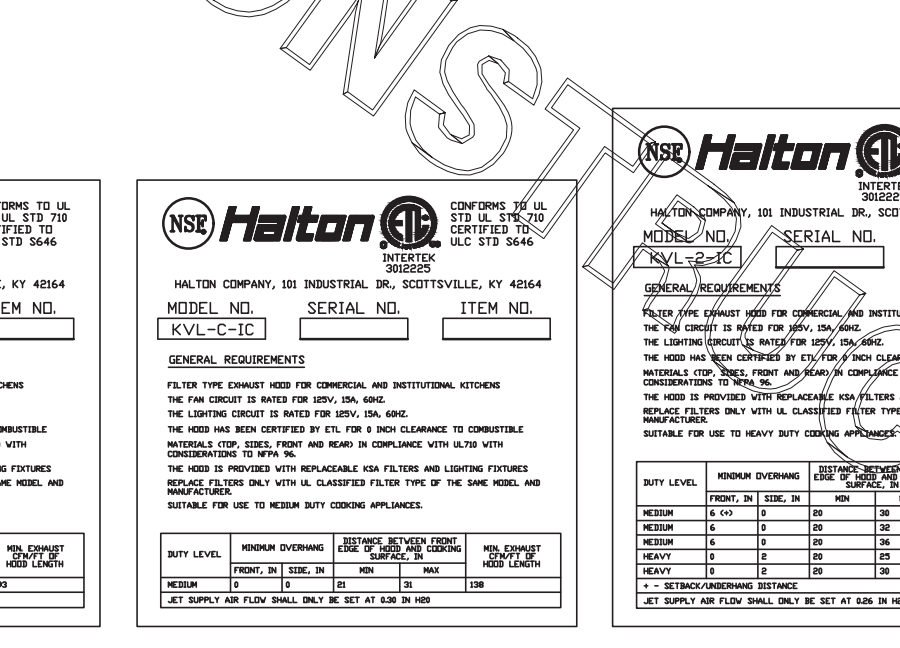
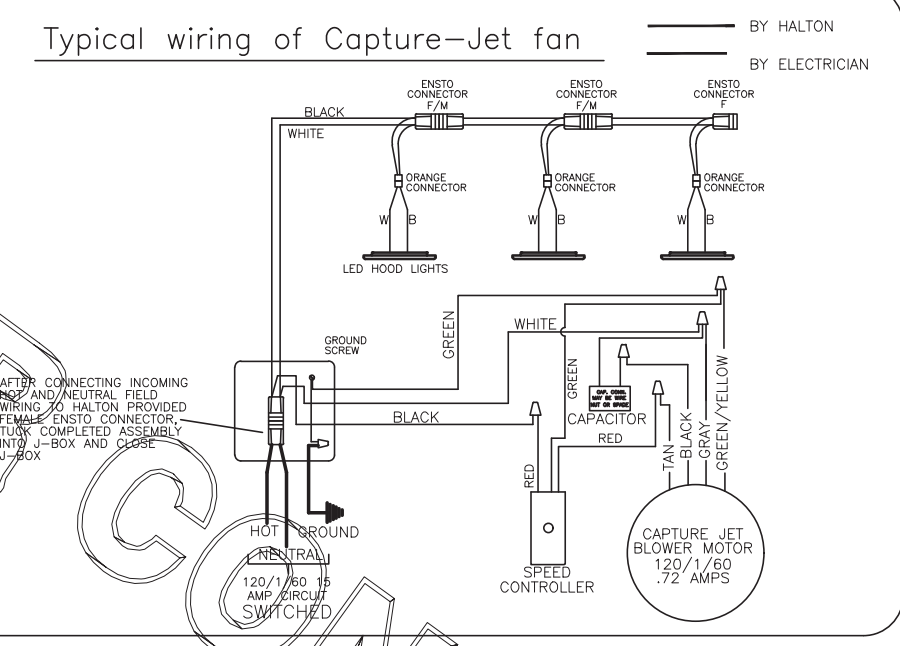
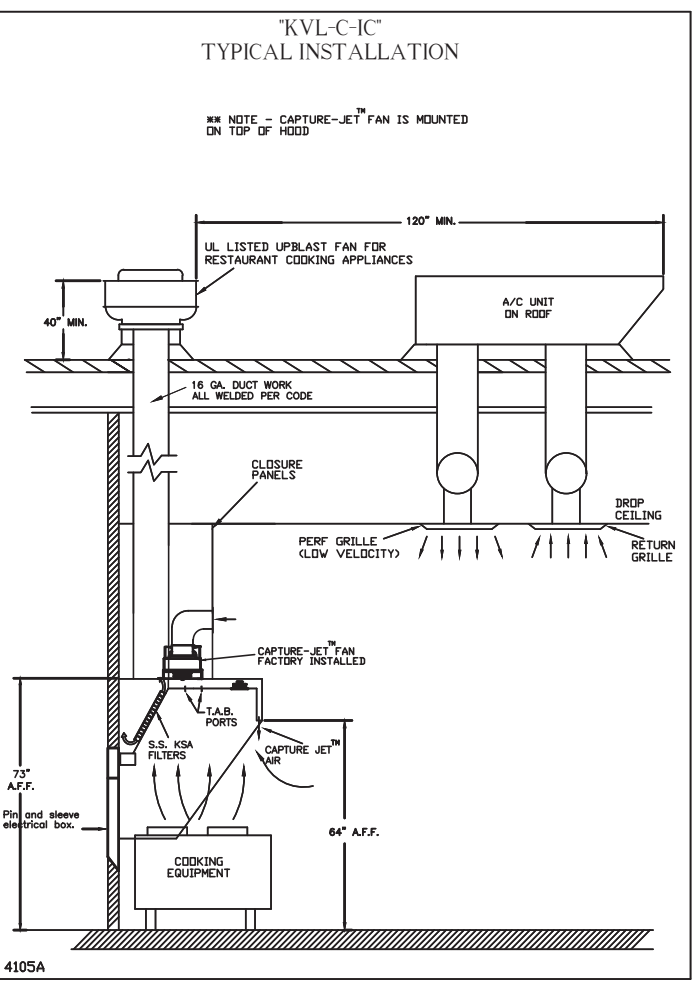
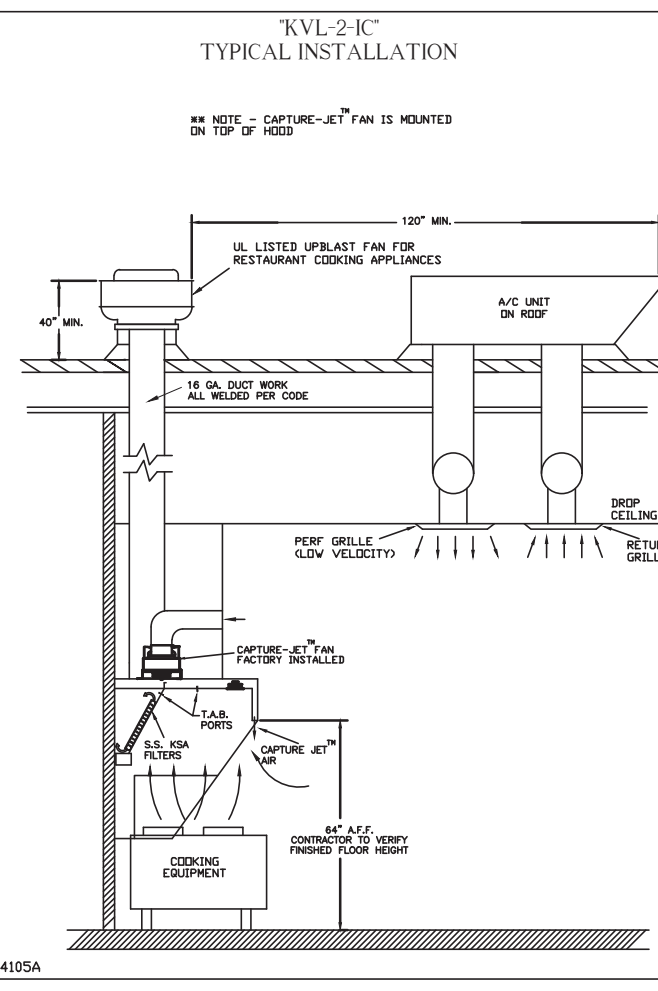
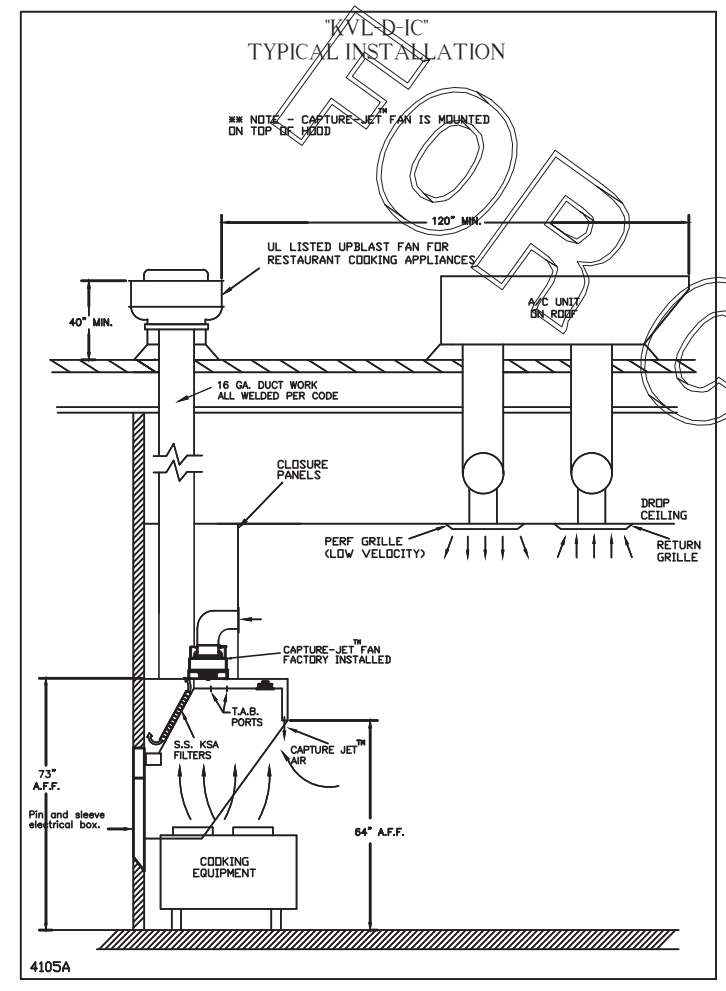
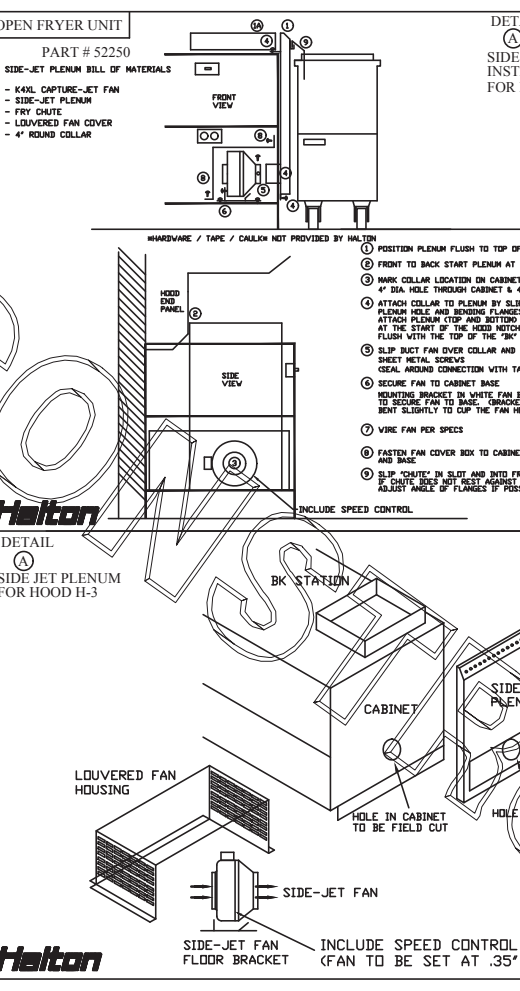
DATE	DWG. NO.	ITEM NO.	EXHAUST AIR INFORMATION
09.02.21	U21-600-01	H-1L	CFM T.A.B. SP

PROJECT: CHICK-FIL-A #2110 STONEBRIDGE VILLAGE

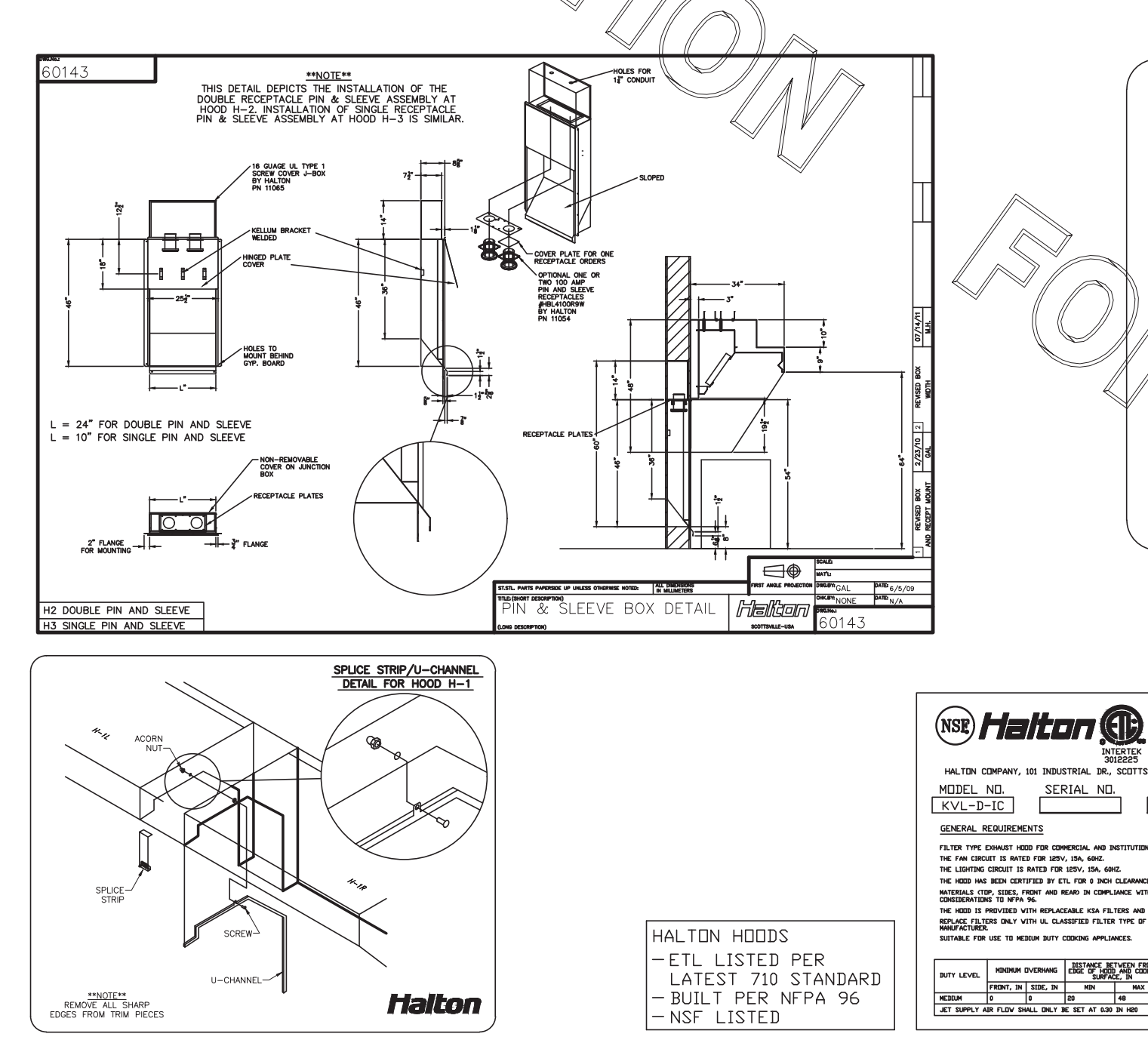
LOCATION: FLOWERY BRANCH, GA

CAPTURE AIR INFORMATION: CFM SP

SUBMITTED BY: HALTON CO.



HOOD H-1.1



HOOD H-2.1

MODEL: KBD KITCHEN BALANCING DAMPER EXHAUST VOLUME DAMPER

CALIBRATED KBDs

BALANCING ADJUSTMENT

EXHAUST AIR FROM HOOD

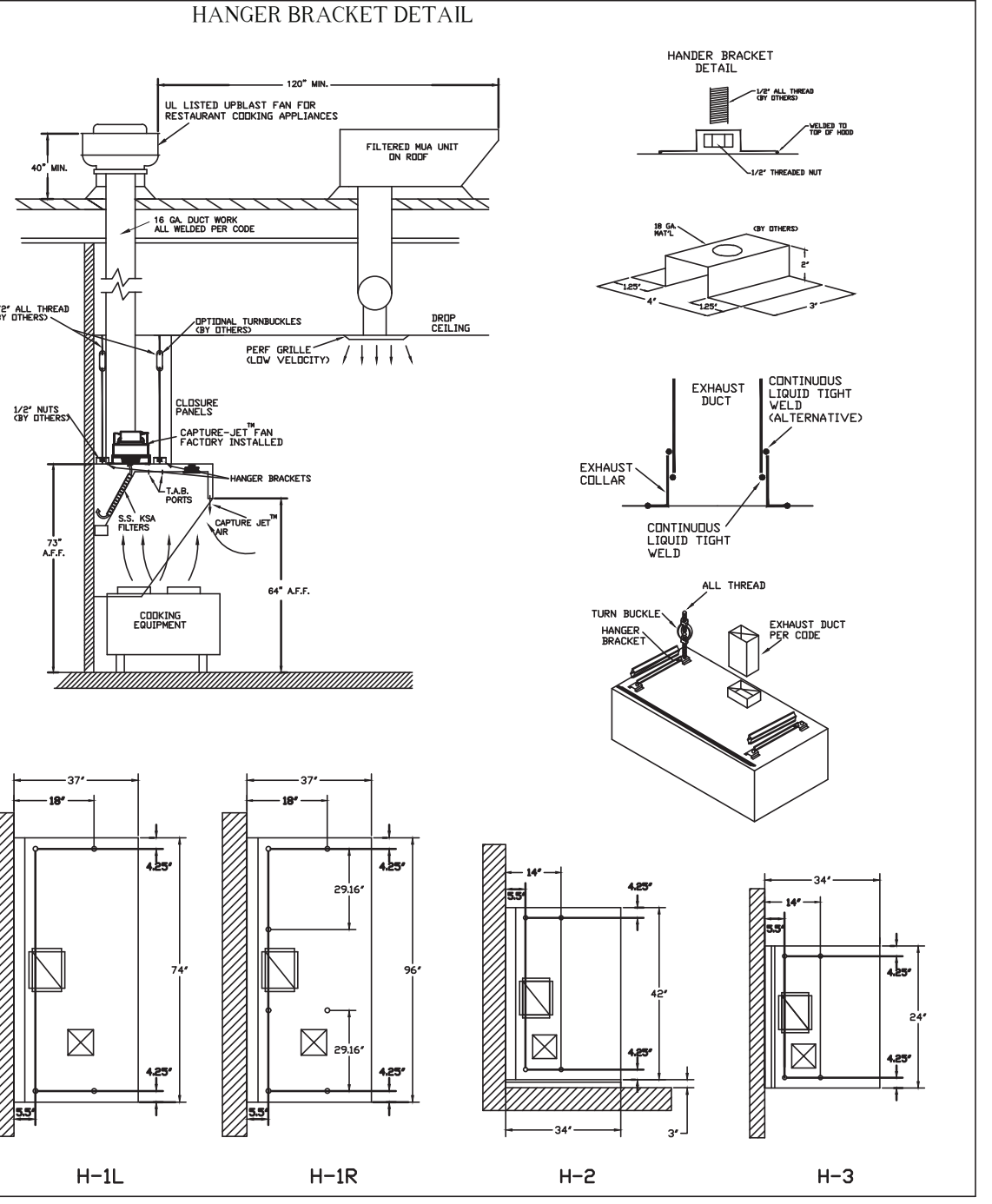
1" FLANGE (INLET & OUTLET)

PRESSURE PORTS

30°

MATERIAL:
FRAME- 16GA CONT. WELDED GALV.
ADJUSTABLE PANEL 18 GA S.S.

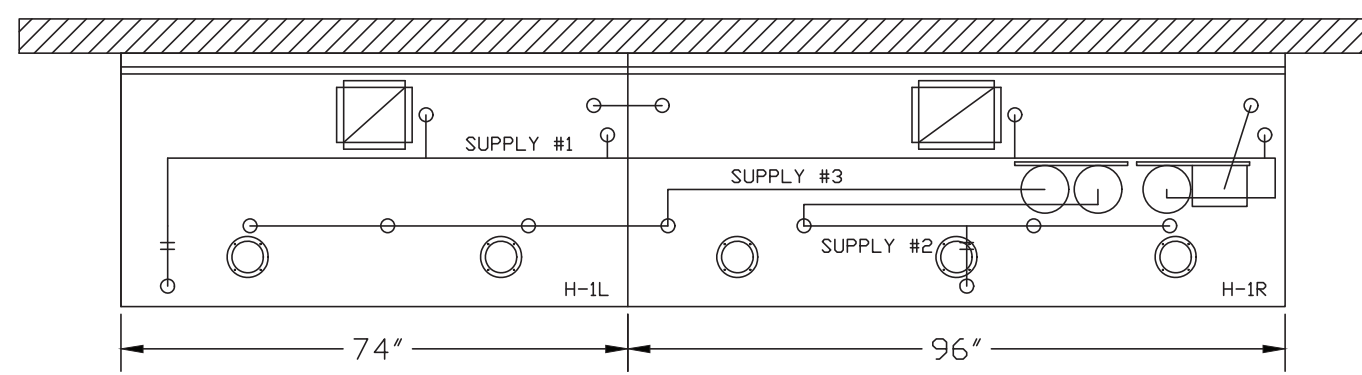
TAG	"L"	"W"	QUANTITY
H-1L	9"	8"	1
H-1R	11"	8"	1
H-2	8"	8"	1
H-3	8"	8"	1



HOOD H-3.1

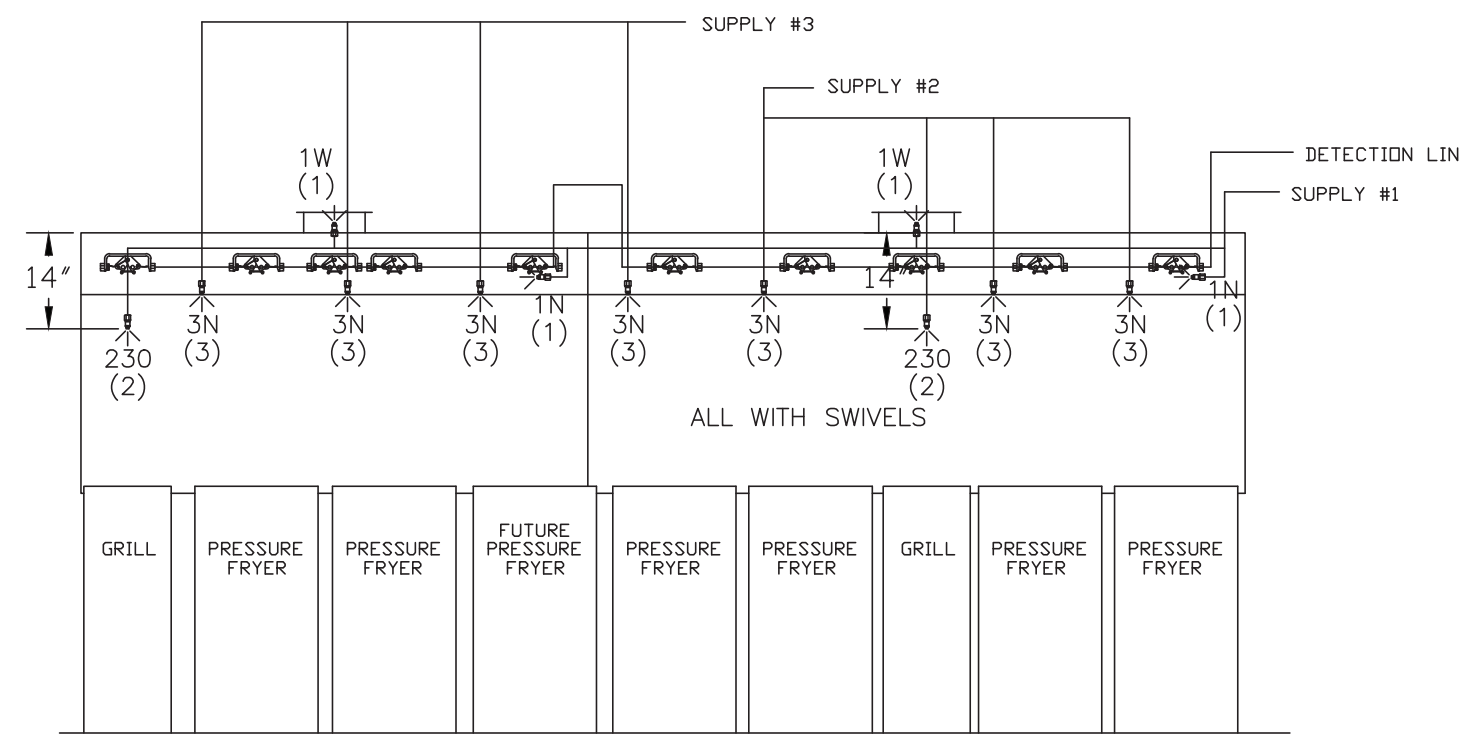
FOR CONSTRUCTION

FOR CONSTRUCTION

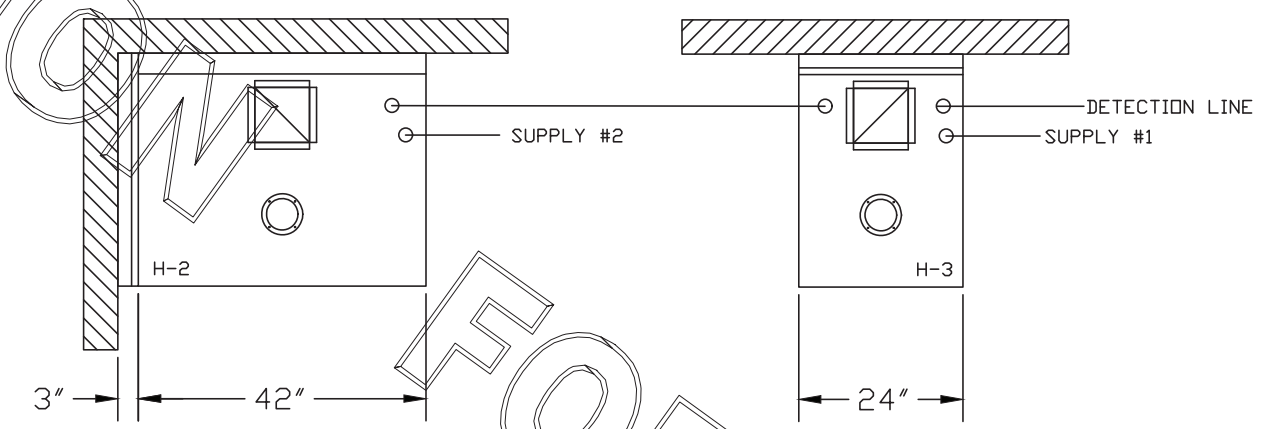


- (1) DEM REGULATED RELEASE
- (2) EXTRA MICRO SWITCH ASSEMBLIES (MOUNTED IN DEM REG. REL.)
- (3) 3 GALLON TANKS

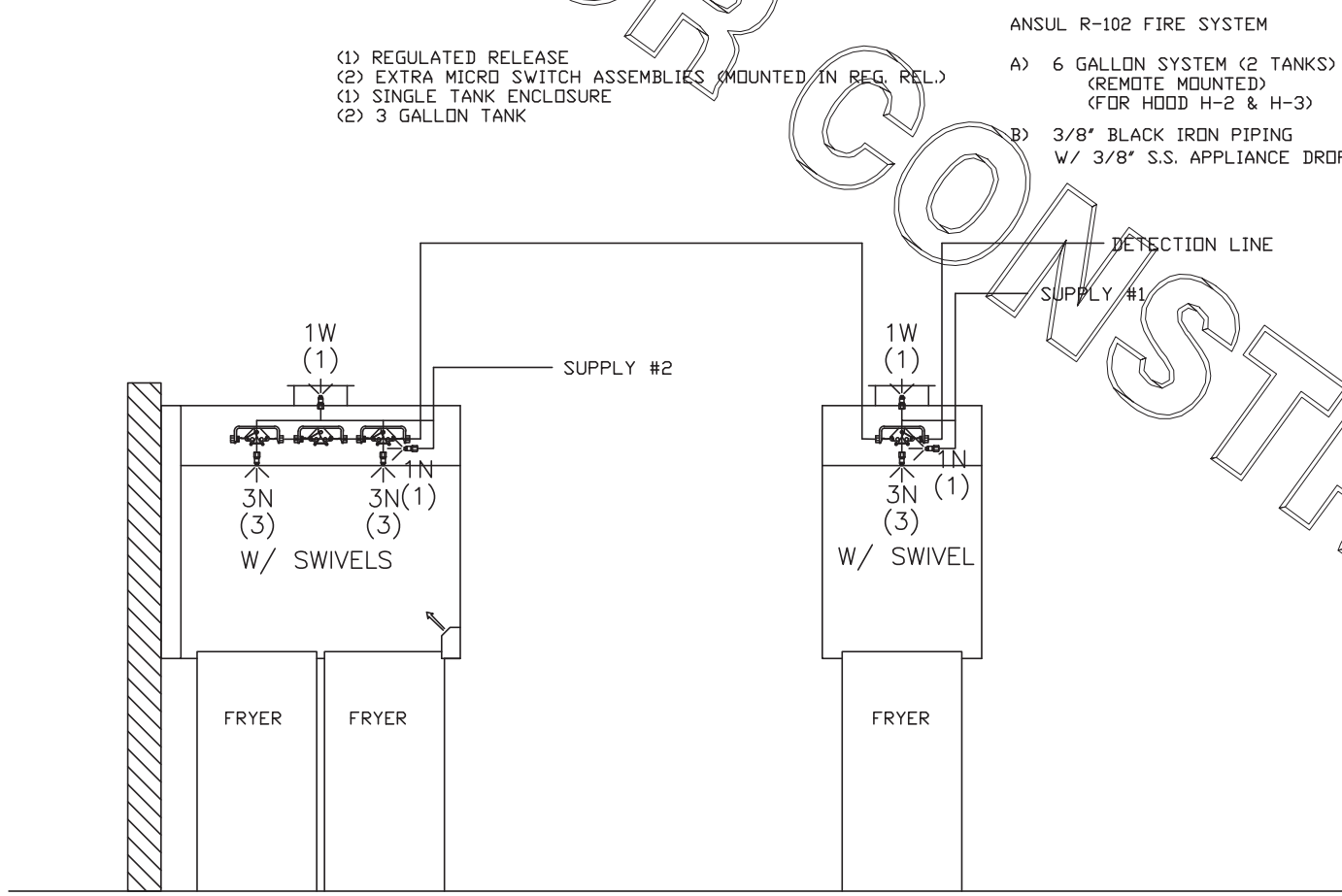
- ANSUL R-102 FIRE SYSTEM
- A) 9 GALLON SYSTEM (3 TANKS) (MOUNTED ON HOOD H-1R) (FOR HOOD H-1L & H-1R)
 - B) 3/8" BLACK IRON PIPING W/ 3/8" S.S. APPLIANCE DRIPS



ANSUL R-102 FIRE SYSTEM LAYOUT



- **PROTECTS HOODS H-2 & H-3****
- REMOTE MOUNTED:
- (1) REGULATED RELEASE (WITH ONE TANK)
 - (1) SINGLE TANK ENCLOSURE (WITH ONE TANK)



ANSUL R-102 FIRE SYSTEM LAYOUT

FUSIBLE LINK RATINGS

ITEM	TEMP
OPEN FRYERS	450°
2 BURNER / FLAT TOP	450°
PRESSURE FRYERS	450°
GRILL	450°
EXHAUST COLLARS	450°

ANSUL R-102 FIRE SYSTEM NOTES
THREE TANK SYSTEM MOUNTED ON TOP OF (H-1R)
MAXIMUM FLOW POINTS = 33

ANSUL R-102 FIRE SYSTEM NOTES
TWO TANK SYSTEM REMOTE MOUNTED
MAXIMUM FLOW POINTS = 22

ITEM #	QTY	DESCRIPTION	FLOW PTS (TOTAL)
1W	4	DUCT NOZZLES	4
1N	4	PLENUM NOZZLES	4
230	2	APPLIANCE NOZZLES	4
3N	10	APPLIANCE NOZZLES	30
TOTAL FLOW POINTS - 42			

ITEM #	QTY	DESCRIPTION
#200	12	SERIES DETECTORS W/ FUSIBLE LINKS
#201	2	TERMINAL DETECTOR W/ FUSIBLE LINKS
#202	1	DEM REGULATED RELEASE W/ DOUBLE POLE MICRO SWITCH
#202	1	REGULATED RELEASE W/ DOUBLE POLE MICRO SWITCH
#203	5	3 GALLON TANKS
#204	1	SINGLE TANK ENCLOSURE
#205	2	REMOTE PULL STATION

ANSUL R-102 FIRE SYSTEM
UL LISTED PER STD LATEST STD 300

1. FINAL INSTALLATION IS TO BE MADE IN ACCORDANCE WITH ALL APPLICABLE CODES
2. ALL ELECTRICAL COMPONENTS FOR EQUIPMENT SHUT DOWN TO BE PROVIDED BY THE ELECTRICIAN. MICRO-SWITCH INSTALLED IN REGULATED RELEASE BY ANSUL INSTALLER
3. REMOTE PULL STATION LOCATED PER MECHANICAL DRAWINGS

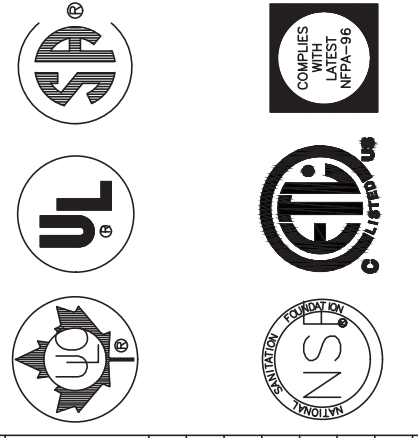
THIS DRAWING MUST BE CHECKED, SIGNED AND RETURNED TO THE APPROPRIATE FACTORY. PLEASE VERIFYING THE FOLLOWING:

1. ALL DIMENSIONAL INFORMATION, MOUNTING POSITIONS AND CLEARANCES.
2. AND CLEARANCES.
3. AND CLEARANCES.

NOTE TO USER: ANY CHANGES IN COOKING EQUIPMENT SUCH AS INCREASED ENERGY INPUTS OR EQUIPMENT POSITION MAY AFFECT EXHAUST AIRFLOW. HALTON MUST BE NOTIFIED IF ANY OF THESE CHANGES OCCUR. A RECALCULATION EXHAUST AIRFLOW MAY BE REQUIRED.

REVISE AND RESUBMIT
 APPROVED FOR FABRICATION
 WITH NO CHANGES
 WITH CHANGES AS NOTED

APPROVED BY: _____ DATE: _____



MAIL APPROVED DRAWINGS TO APPROPRIATE FACTORY BELOW: WEBSITE: WWW.HALTONCOMPANY.COM

REV.	DATE	DESCRIPTION
1		
2		
3		
4		
5		
6		
7		

PROJECT: CHICK-FIL-A #2110
STONEBRIDGE VILLAGE
FLOWERY BRANCH, GA

LOCATION: FLOWERY BRANCH, GA

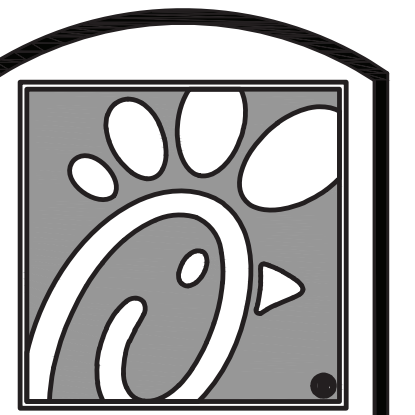
DRAWN BY: AF DATE: 09.02.21

SCALE: NTS

Halton Dwg: U21-600-02

Halton
CARE FOR INDOOR AIR

Sheet H-1.2



Chick-fil-A

5200 Buffington Rd.
Atlanta Georgia,
30349-2998

Revisions:
Mark Date By

Mark	Date	By
△		
△		
△		
△		

FOR INFORMATION ONLY

INTERPLAN
ARCHITECTURE
ENGINEERING
PERMITTING

220 E. CENTRAL PKWY, STE 4000
ATLANTA, GEORGIA 30329
407.645.5008

STORE
STONEBRIDGE
VILLAGE FSU
S06N-98R

5905 SPROUT
SPRINGS RD. FLOWERY
BRANCH, GA 30542

SHEET TITLE
HOOD DETAILS

VERSION:
ISSUE DATE:

Job No. : 18.0772
Store : 02110
Date : 09/2021
Drawn By : CH
Checked By : DAK

Sheet
MHI.2