

Prodigy Humidity Sensor Wiring for Lennox LGH units with M2 Prodigy Board

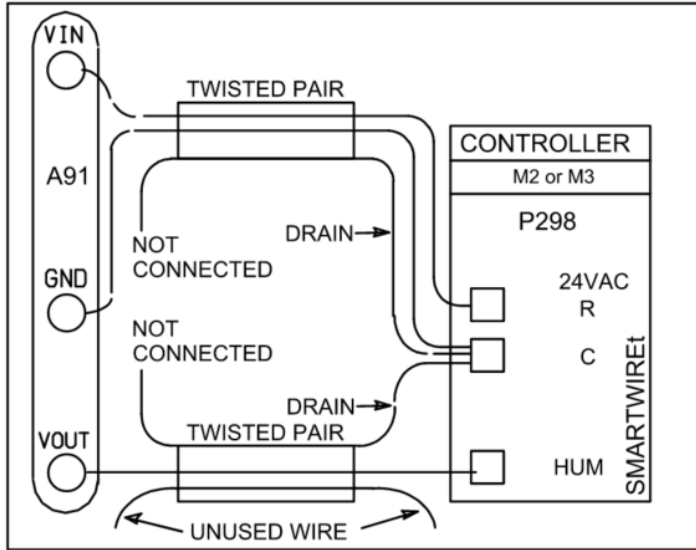


Figure 1. Field Wiring
(150' [46m] or shorter runs)

Wire runs of 150' (46m) or less:

Use two separate shielded cables containing 18AWG minimum, twisted pair conductors with overall shield. Belden type 8760 or 88760 (plenum) or equivalent. Connect both cable shield drain wires as shown in figure 1.

M2 unit controller board, expansion board locations, SmartWire connections

